



Cross-Auger
Hydraulic Motor Update
Instructions

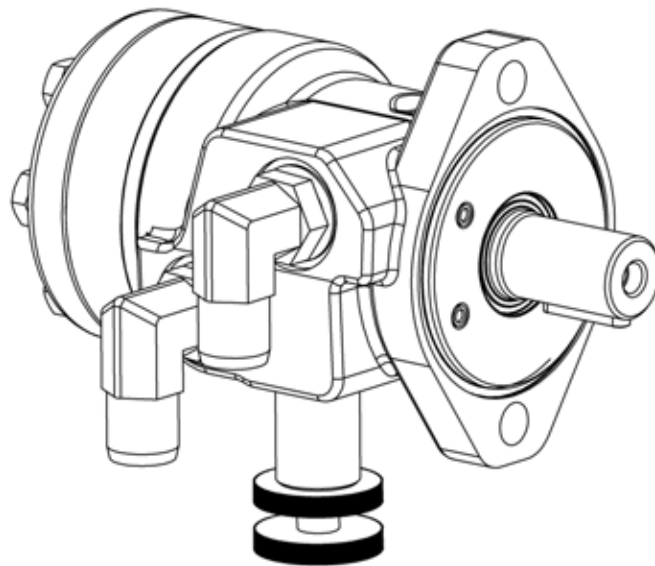




Table of Contents

Preparation.....	3
Kit Contents.....	3
Directions.....	3
Assembly.....	3
36ft – 45ft Table Cross Auger Update.....	4
25ft Table Cross Auger Update.....	7

Preparation

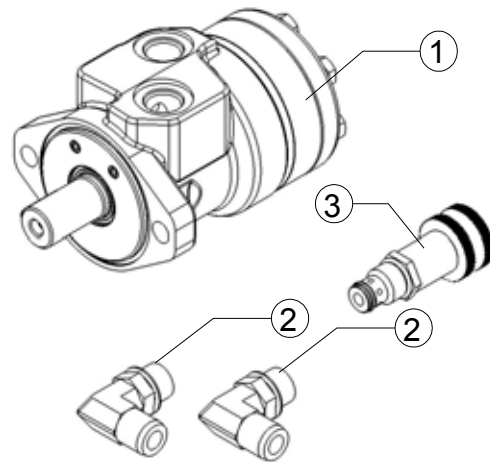
Unpack the unit, and check the parts supplied against the packing list enclosed. Familiarize yourself with the components, their locations once installed, and the sequence of assembly by referring to the contents of this manual.

Smooth the motor shaft with emery cloth if needed. Use a good anti-seize compound on the motor shaft. This will aid assembly, and will make disassembly much easier if repairs are required at a later date.

Protect the drapers with a sturdy surface, such as sheets of plywood to prevent damage to the drapers while positioning and lifting the motor into place.

Kit Contents

1. Hydraulic Motor
2. 2x 90° Elbow Fitting
3. Needle Valve



Directions

For the purposes of this manual, "front" refers to the cutter-bar side of the header/swather, "back" refers to the side of the unit that attaches to the combine or windrower. "Left," and "right" are as viewed from the back of the unit facing the front.

Assembly

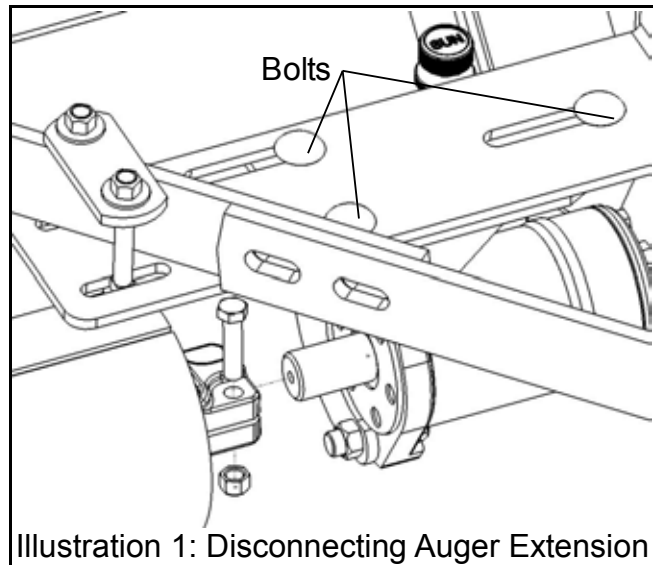
Lower the header to the ground or onto stable blocks, whichever will provide the most comfortable working height. Lower the reel to the stops, and move it fully forward.

WARNING

Care must be used when working around pressurized hydraulic systems. All fittings must be securely connected before the windrower is started, and power is applied to the swather. Serious injury, and/or damage to equipment may result from poor connections.

36ft – 45ft Table Cross Auger Update

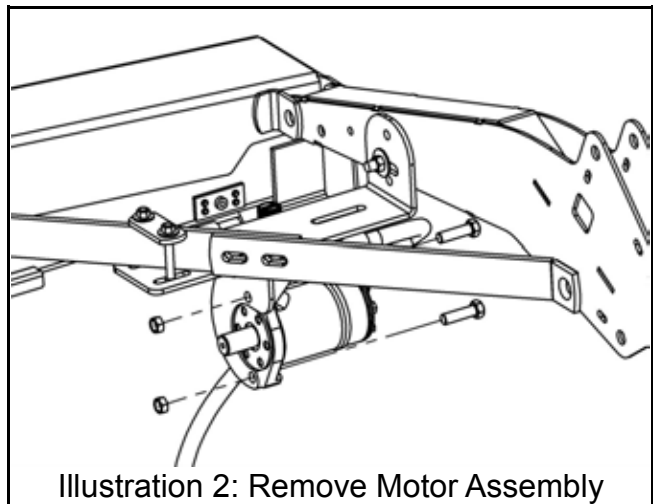
1. Disconnect the auger extension from the original motor assembly. Loosen the set bolt on the universal joint. Loosen the 3 bolts holding the motor assembly in place. Slide the motor assembly away from the auger extension. Do not remove any bolts in this step, just loosen them.



2. Remove the original motor assembly from the mounting bracket. Place the nuts and bolts aside as they will be used in a later step.



The image for this step shows the grain belt plus reel arm assembly, however the steps will be the same for all models.



3. Disconnect the hydraulic hoses from the original motor assembly. Place the motor assembly aside as it will no longer be needed.



Take note of which hose goes to the “power in” port and the “power return” port. Make a mark to differentiate between the two.

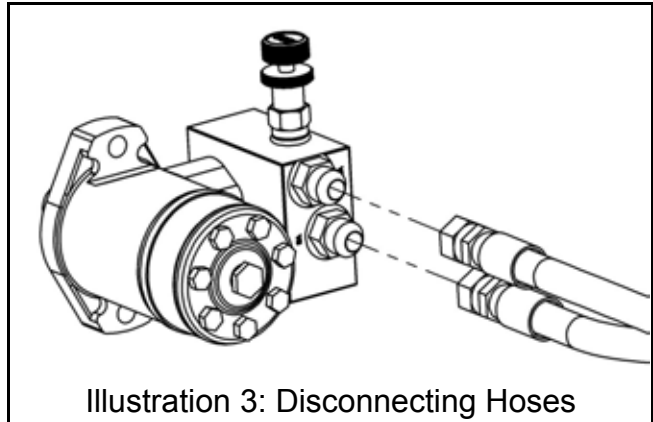


Illustration 3: Disconnecting Hoses

4. Connect the elbow fittings to the new motor. Connect the hoses to the elbow fittings. Ensure that you connect the proper hose to the proper port.

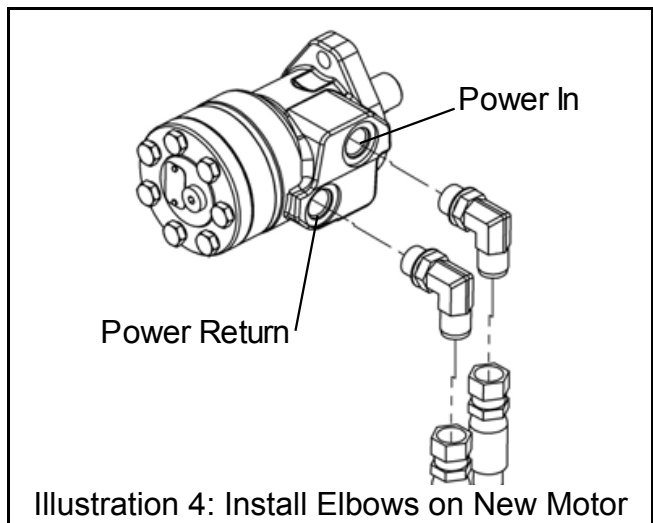


Illustration 4: Install Elbows on New Motor

5. Install the needle valve in the location indicated.

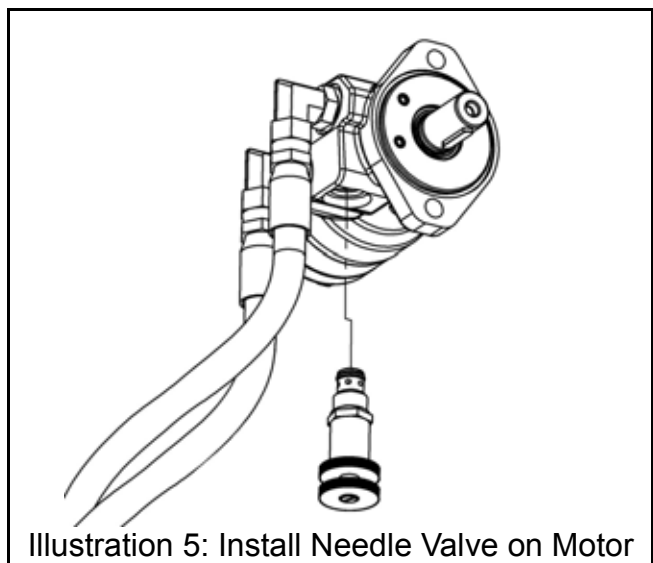


Illustration 5: Install Needle Valve on Motor

6. Once the new motor is fully assembled, secure it to the mounting bracket using the nuts and bolts that were removed in step 2.

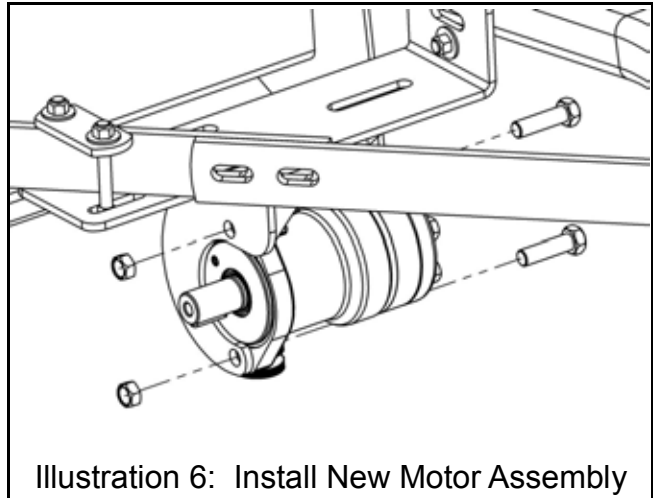


Illustration 6: Install New Motor Assembly

7. Attach the cross auger extension to the new motor assembly by lifting the extension up then sliding the motor assembly towards it until the motor shaft is inserted into the universal joint. Re-tighten the 3 bolts holding the motor assembly to the mounting bracket. Also tighten the one set nut and bolt used to secure the universal joint to the motor shaft.

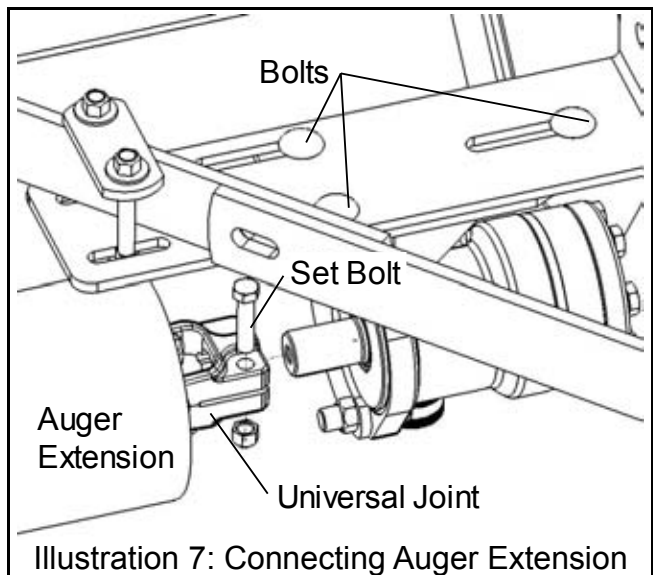
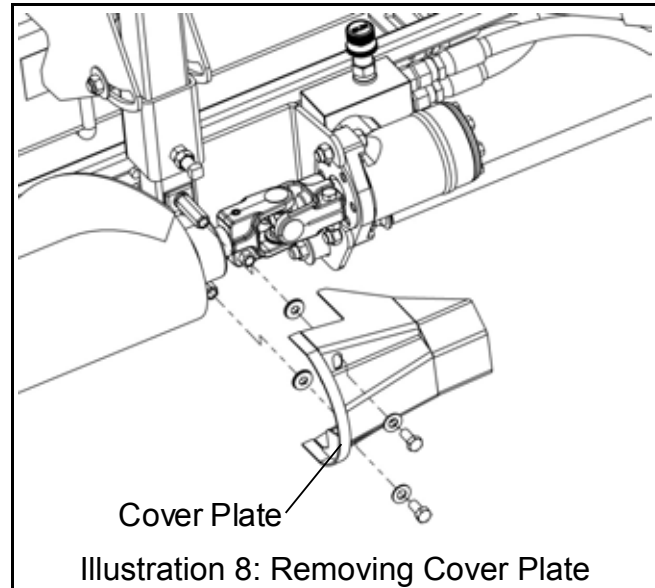


Illustration 7: Connecting Auger Extension

25ft Table Cross Auger Update

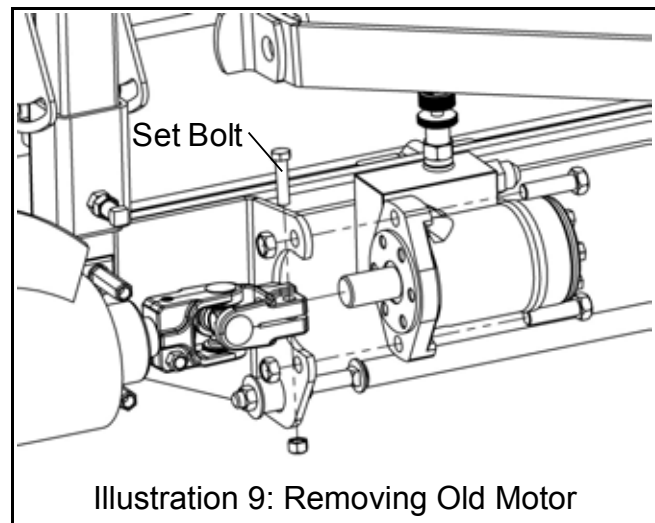
1. Remove the cover plate. Set aside with all hardware as it will need to be re-attached later.



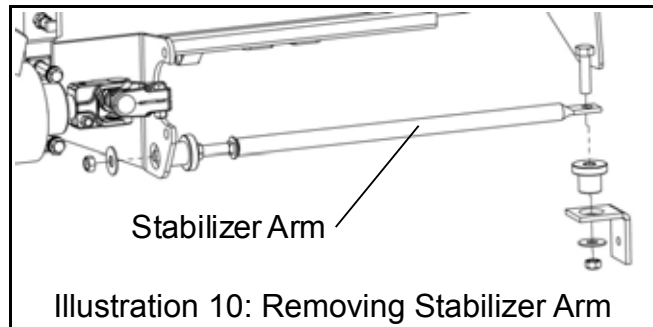
2. Remove the old motor assembly. Loosen the set bolt on the universal joint to allow the motor shaft to be withdrawn. Disconnect the hydraulic hoses from the motor.



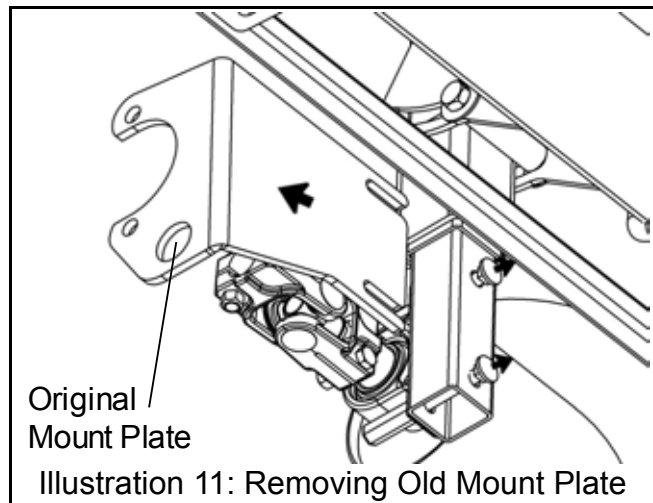
Take note of which hose goes to the “power in” port and the “power return” port. Make a mark to differentiate between the two.



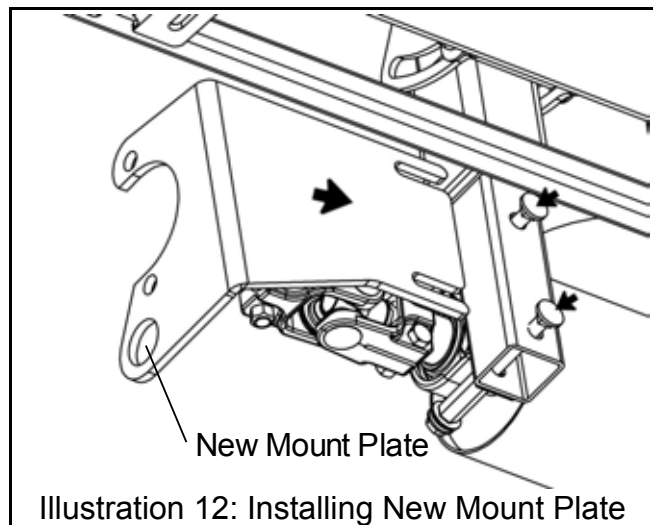
3. Remove the stabilizer arm and set aside as it will be re-installed in a later step.



4. Remove the original motor mount plate by **slightly loosening** the two bolts on the auger jack and then sliding the mount plate out of position.



5. Install the new motor mount plate and re-tighten the two bolts on the auger jack.



6. Re-install the stabilizer arm ensure it is secured to the crop divider (not shown in image)

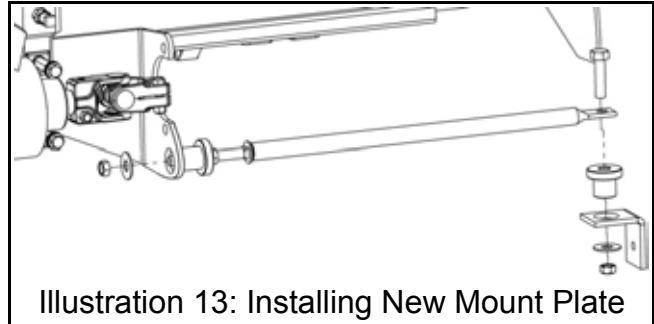


Illustration 13: Installing New Mount Plate

7. Assemble the new motor assembly by installing the two 90° elbows and the two original hoses.



Ensure that you connect the right hose to the right port. Use the mark you had made on one of the hoses in an earlier step as reference.

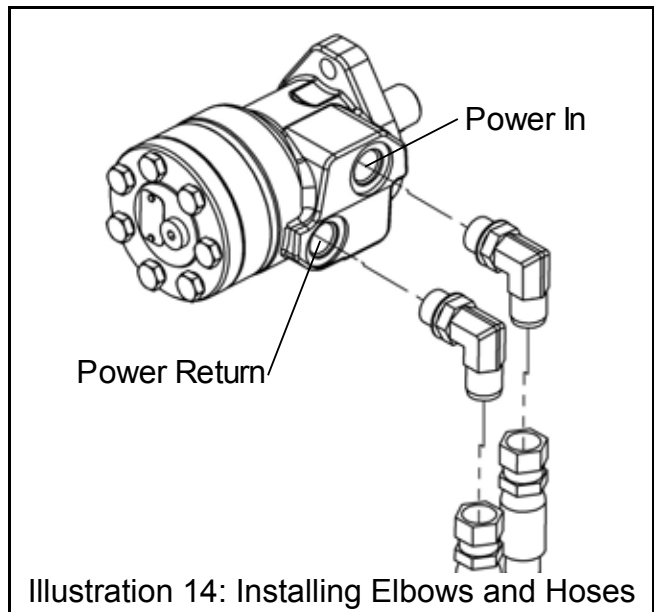


Illustration 14: Installing Elbows and Hoses

8. Complete the motor assembly by installing the needle valve in the indicated location.

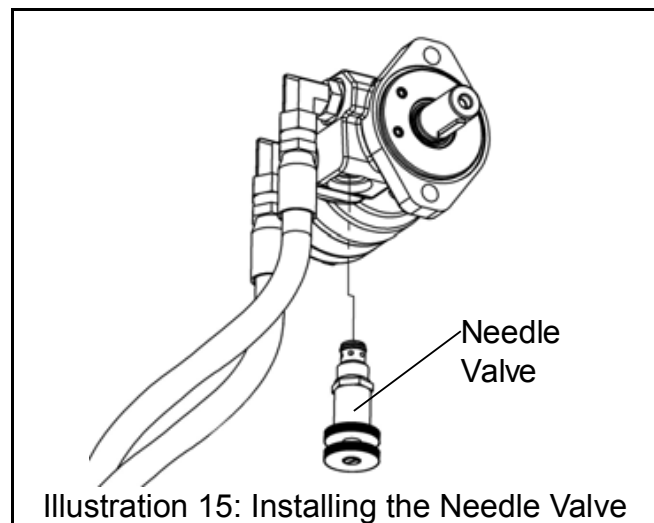


Illustration 15: Installing the Needle Valve

9. Install the new motor assembly and secure the universal joint with the set bolt.

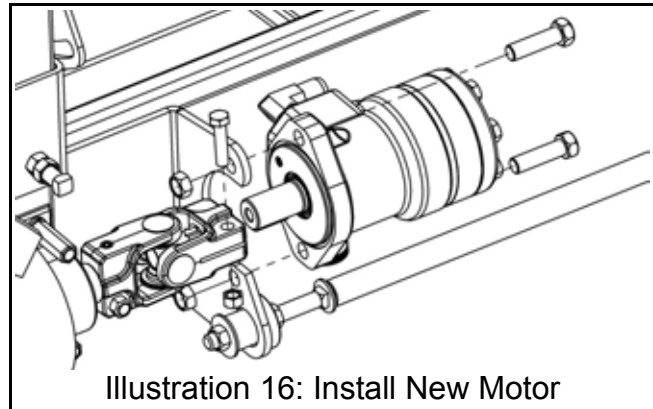


Illustration 16: Install New Motor

10. Complete the procedure by re-connecting the original cover plate.

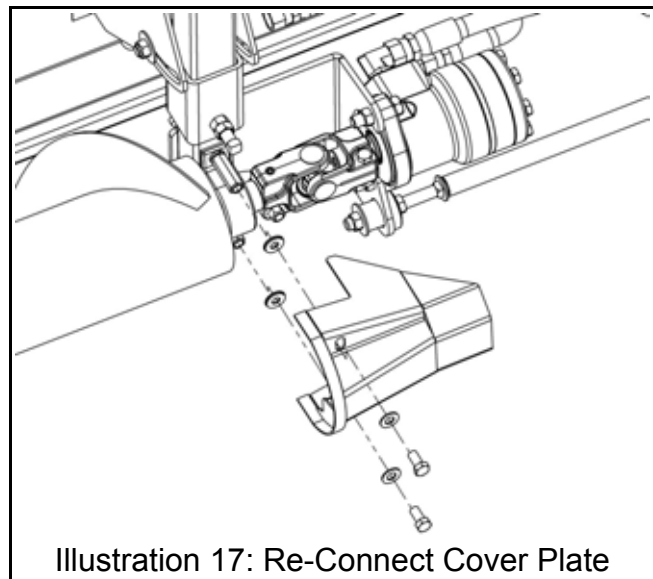


Illustration 17: Re-Connect Cover Plate