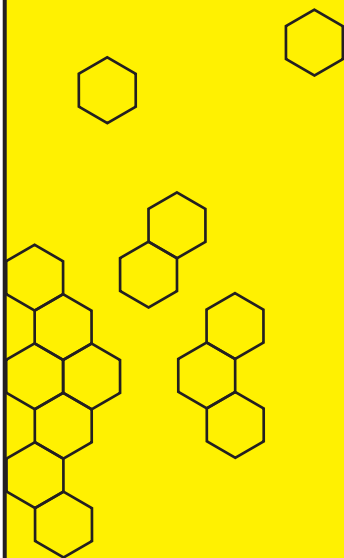
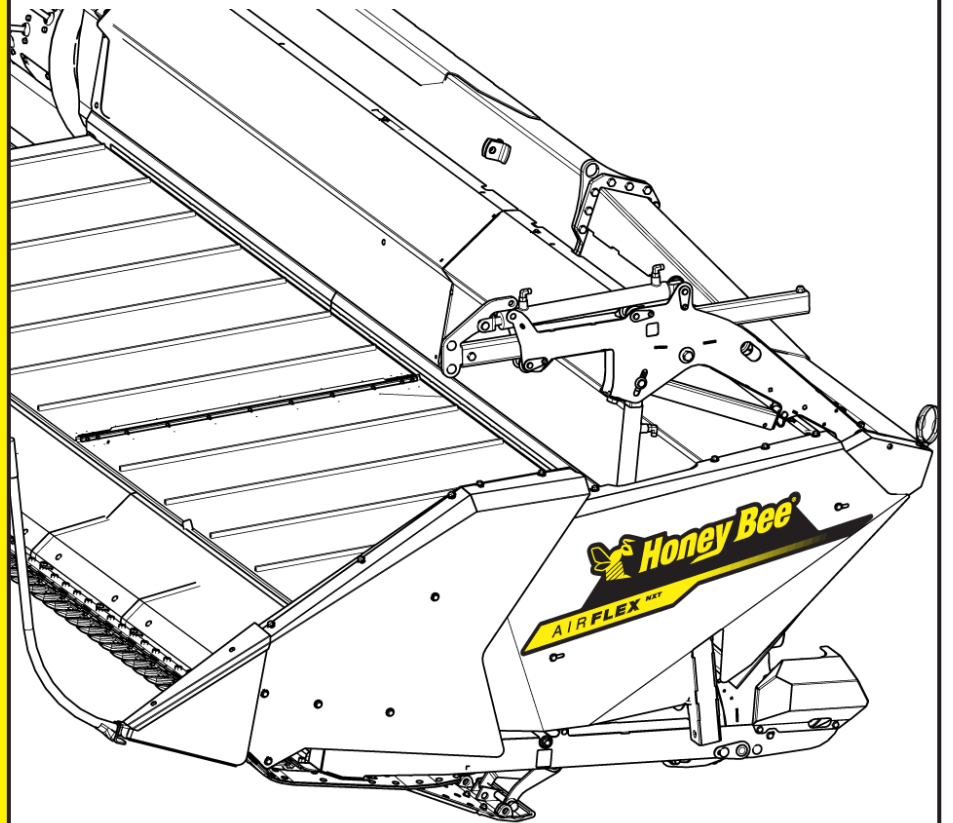


2024

AIRFLEX

NXT Series

FLEX Header
Operator Manual



1 - AirFLEX NXT Series Pre Delivery Inspection

TO THE DEALER: *This form must be completed and returned to Honey Bee Manufacturing Ltd. along with the Warranty Registration Form. (please print)*

Model: _____
Check Completed By: _____
Dealer Name: _____

Serial #: _____
Signature: _____
Date: _____

Inspect machine upon receipt for good order and completion. Perform pre-delivery inspection, focusing on the steps listed below. Prior to delivery, indicate completion with a tick mark in the left column. Refer to the page numbers listed below in the operator manual for detailed instructions.

Upon Receipt of Header:

- Red draw bar holder removed from header. - *page 36*
- Set front reel bats to operational position (reinstalled from transport position). - *page 35*
- Remove reel tie-downs installed from factory.
- Install crop dividers. - *page 35*
- Check draper tension as per decal on back panel. Adjust if necessary. - *page 102*
- Walk around the header, checking belts, bolts and shields to ensure everything is tight and in good working order.
- Install Automatix Lite harness on the combine, note if the electrical system is positively or negatively switched, hook up the battery leads accordingly. Make sure to check output voltage to header that it never exceeds 14 volts when operating or upon engine start-up.. - *page 40*
- Install Automatix Lite control panel in combine cab & connect to electrical harness. - *page 40*
- Unlock the transport cart and draw bar, lift header with the combine then remove the cart and draw bar. - *page 36*
- Attach multicoupler and electrical connection(s) - *page 40*
- Check gearbox oil levels and fill if necessary. - *page 133 and page 136*
- Attach the drive shafts to the left and right hand sides of the combine feeder house, ensure anti-rotation safety chains are connected and correctly adjusted. - *page 43*
- Check the clearance between the feed auger drum, stripper plate and feeder house. - *page 47*
- Check feed auger finger timing, ensure adjustment arm is in middle hole with fingers in fully forward position. - *page 46*
- Set header to rigid mode & pressurize to 90-125psi, ensure all tabs on flex sensing rod are in proper position. - *page 123*
- Set the faceplate angle using adjustment bolts on the combine feeder house (if possible) - *page 58*
- Set reel finger pitch to middle position as a starting point. - *page 65*
- Ensure reel fingers clear cutter bar by minimum of 1 1/2". Adjust reel height if necessary. (In order to fully extend RH reel lift cylinder the header reel must be running. - *page 45*
- Ensure the reel is centered on the header. - *page 46*
- Set Auto Header Height parameters in combine control panel (Combine and Sensitivity Settings)
- Calibrate combine (In FLEX mode)
- Check to ensure combine feederhouse PTO output speed is correct. Premature failure of drive components may occur if speed is incorrect – *page 57*
- Run header and fine tune drive belt to minimize vibration and get it running smoothly.
- Walk around the header while it is running to ensure everything is running smoothly
- If possible test in the field or lot and fine tune sensitivity settings if needed
- Ensure Optional equipment as per sales order is installed and functioning.

Before Transporting:

- Tilt cylinder retracted.
- Drive shafts in storage position. - *page 142*
- Header in rigid mode (air system pressurized to 100 psi). - *page 70*
- Hydraulic & electrical connectors/lines in storage positions.
- Reel lowered, retracted, tied down and prevented from rotating.
- Transport cart & front draw bar axle properly installed. - *page 141*
- Automatix Lite display and electrical harness, dividers, extensions & accessories securely stored.
- Warning lights, decals, reflectors & signs all legible and in place. - *page 25*
- Front reel fingers dropped into transport position. - *page 140*

2 - Copyright Information

Original Instructions

© 2024 Honey Bee Manufacturing Ltd. - All Rights Reserved

Patents: <https://www.honeybee.ca/patents.php> all other patents pending.

Document Revision History			
Revision	Author	Date	Description
2.0	AD	10/02/23	PTO speed recommendations Updated door shield Removed references to manual tilt link Added basic extended skid shoe installation instructions Added cross auger note re interference with center reel arm brace Added high voltage warning Updated knife head grease fitting to 1-2 pumps. Updated draw bar holder Updated lh gt case lock bolt position. Added note to check gearbox oil levels.
2.1	AD		Updated Decal List Updated divider info Updated electrical schematic Updated paddle info Updated lubrication information Updated transport cart info Updated multicoupler info Added hydraulic skid shoe info Updated drive shaft info Updated cutting system info

Table of Contents

1 - AirFLEX NXT Series Pre Delivery Inspection	3
2 - Copyright Information	5
3 - Products Covered & Important Information	13
4 - Purchase Information	14
5 - Header Identification Number	15
6 - Introduction	17
6.1 - Directions.....	17
6.2 - Warranty.....	17
7 - Safety	19
7.1 - Recognize Safety Information.....	19
7.2 - Understand Signal Words.....	19
7.3 - Read and Understand Instructions and Warnings.....	19
7.4 - Protective Clothing.....	19
7.5 - In Case of Emergency.....	19
7.6 - High Pressure Spray.....	19
7.7 - Store the Header Safely.....	20
7.8 - Safety Around Moving Parts.....	20
7.9 - High-Pressure Hydraulics.....	20
7.10 - Transporting the Header.....	20
7.11 - Parking the header.....	20
7.12 - Using Correct Torque Values.....	20
7.13 - Practice Safe Maintenance.....	21
7.14 - Fire Safety.....	21
7.15 - Keep Equipment Clean.....	21
8 - Specifications	23
9 - Safety Decal Locations	25
10 - Equipment Overview	29
10.1 - Optional Transport Package.....	29
10.2 - Automatic Header Height Control (HHC).....	29
10.3 - Interchangeable Combine Adapters & Drive Pulleys.....	29
10.4 - Drive System.....	29
10.5 - FLEX Mode.....	30
10.6 - RIGID Mode.....	30
10.7 - Suspended Subframe.....	30
10.8 - Gauge Wheels.....	30
11 - Before First Use and Pre-Season Inspection	31
11.1 - Combine Specific Header Modifications.....	31
11.1.1 - 2016 or Newer JD Combines.....	31
11.1.2 - Combines with 'Bang-Bang' or 'Switching' style directional control valves.....	31
11.1.3 - Gleaner/Massey Ferguson/Challenger Combines.....	31
11.2 - Header Inspection.....	31
11.3 - Before First Use and Pre-Season Checklist.....	33
12 - Mounting the Header to the Combine	35
12.1 - Combine Preparation.....	35
12.2 - Header Preparation.....	35
12.3 - If Optional Transport Package is Installed.....	36
12.3.1 - Transport Storage.....	37

12.4 - Mounting the Header to Combine.....	38
12.5 - Forklift Unloading Attachment.....	39
12.6 - Hydraulic & Electrical connections.....	40
12.6.1 - Combines Without Power Supplied Via 31 Pin Plug.....	42
12.6.2 - New Holland/CaselH combines with 12 volt power on pin 31 of header connector.....	42
12.7 - Gauge Wheels.....	42
12.8 - Drive Shaft Hookup.....	43
12.9 - Mounting Checklist.....	44
13 - Header Setup.....	45
13.1 - Reel Setup.....	45
13.1.1 - Reel Finger Timing Adjustment.....	45
13.1.2 - Reel Height Adjustment (bottom limit based on finger timing).....	45
13.1.3 - Reel Centering.....	46
13.2 - Feed Auger Finger Timing.....	47
13.3 - Header Height Sensor Adjustment.....	48
13.4 - Check for Problems.....	48
13.5 - Optional Components.....	49
13.5.1 - Hydraulic Skid Shoes.....	49
13.5.2 - Terrace Kit.....	49
13.5.3 - Cross Auger.....	50
13.5.4 - Transport cart.....	50
13.5.5 - Vertical Shear.....	51
13.5.6 - Vertical Shear Maintenance.....	51
13.5.7 - Vertical Shear Installation.....	52
13.5.8 - Storing the Vertical Shear.....	54
14 - Daily Inspection.....	55
14.1 - Safety & Protective Shields.....	55
14.2 - Dividers.....	55
14.3 - Air Hoses.....	55
14.4 - Knife Guards & Sections.....	55
14.5 - Header Height Control Sensors.....	55
14.6 - Feed Auger.....	55
14.7 - Drapers.....	55
14.8 - Belts.....	55
14.9 - Lubrication.....	55
15 - Combine Calibration.....	57
15.1 - Check Header Height Sensor Tabs.....	57
15.2 - Verify Header Height Sensor Voltage.....	57
15.3 - Combine Feeder House Speed.....	57
15.4 - Combine Feeder House Angle.....	58
15.5 - Float.....	59
15.5.1 - CaselH Pressure Float Override.....	59
15.5.2 - New Holland Press. Override Threshold.....	59
15.6 - Combine Calibration Position.....	59
15.7 - Hydraulic Header Raise and Drop Rates.....	60
15.8 - Combine Header Height Calibration - FLEX Mode.....	60
15.9 - Combine Header Height Calibration – RIGID Mode (Subframe Sensors).....	61
15.10 - Combine Header Height/Tilt Sensitivity.....	61
15.11 - Combine Calibration Validation.....	61
15.12 - Other Combine Settings.....	61
16 - Operation.....	63

16.1 - Hydraulic Header Tilt.....	63
16.2 - Knife, Feed Auger Drum and Draper Speed.....	63
16.3 - Optional Hydraulically Adjustable Skid Shoes.....	64
16.4 - Reel Settings & Controls.....	65
16.4.1 - Finger Pickup Settings (Pitch).....	65
16.4.2 - Hydraulic Reel Height and Fore/Aft Control.....	66
16.4.3 - Reel Speed.....	67
16.5 - Crop Dividers.....	67
16.5.1 - Crop Divider Snub Extension:.....	67
16.6 - Operation Guidelines - FLEX mode.....	68
16.6.1 - Reel settings.....	69
16.6.2 - Air Pressure Recommendation.....	69
16.6.3 - Ground speed.....	69
16.6.4 - Automatix Lite Control Panel.....	69
16.7 - Operating Guidelines - RIGID mode.....	70
16.7.1 - Recommended Air Pressure for RIGID mode.....	70
16.7.2 - To activate RIGID mode:.....	70
16.7.3 - Set Cut Height in RIGID Mode.....	71
16.7.4 - Recommended Reel settings.....	72
16.7.5 - Recommended Ground speed.....	72
16.7.6 - Automatix Lite Control Panel.....	72
16.8 - Reverse Operation.....	73
16.9 - Feed Auger Drum Settings.....	73
16.10 - Combine Header Height Settings.....	73
16.11 - Blue LED Air Compressor Indicator Lamp.....	73
16.12 - General Crop Specific Productivity.....	74
17 - Automatix Lite System.....	77
17.1 - Screen Icons.....	77
17.2 - Physical Switches.....	78
17.2.1 - Cutting Mode Switch:.....	78
17.2.2 - Air Pressure Switch.....	78
17.2.3 - Header Tilt/Skid Shoe & Reel Height Mode Switch.....	79
17.3 - Touch Screen Buttons.....	79
17.3.1 - Adjust Screen Brightness.....	79
17.3.2 - Info.....	79
17.4 - Info Screen.....	79
17.5 - Sensor Bar Graphs (FLEX mode).....	80
17.6 - Sensor Bar Graphs (RIGID mode).....	80
17.7 - Warnings.....	81
17.7.1 - Air Pressure Warnings.....	81
17.7.2 - Header Height Sensor Warnings.....	81
17.8 - Automatix Switches - Important Note.....	81
18 - Troubleshooting.....	83
18.1 - Reel.....	83
18.2 - Drapers.....	83
18.3 - Cutting Platform.....	84
18.4 - Cutting Platform (continued).....	85
18.5 - Header Leveling.....	85
18.6 - Active Header Height Control.....	86
18.7 - Cross Auger.....	87
18.8 - Miscellaneous.....	87

19 - Service & Adjustment	89
19.1 - Fasteners.....	89
19.2 - Permanent Bushings.....	89
19.3 - Speed Sensor Adjustment.....	89
19.4 - Cleaning the Header.....	90
19.5 - Drive Belt/Chain Tension.....	91
19.5.1 - General Belt Tensioning Guide.....	92
19.5.2 - Using the Tension Indicators.....	92
19.5.3 - Tension Verification Using Smartphone App.....	93
19.5.3.1 - Apple Devices (IOS).....	93
19.5.3.2 - Android Devices.....	93
19.5.4 - Feed Auger Drive Belt Tension.....	94
19.5.5 - Left Draper Drive Belt 1 Tension.....	94
19.5.6 - Left Draper Drive Belt 2 Tension.....	94
19.5.7 - Center Draper Drive Chain Tension.....	95
19.5.8 - Right Hand Drive Belt Tension.....	95
19.5.9 - Right Hand Draper Drive Belt 1 Tension.....	96
19.5.10 - Right Hand Draper Drive Belt 2 Tension.....	96
19.5.11 - Knife Drive Belt Tension.....	96
19.6 - Drive Belt Replacement.....	98
19.6.1 - Knife Drive Belt Replacement.....	98
19.6.2 - Feed Auger Belt Replacement.....	98
19.6.3 - Left Draper Drive Belt 1 Replacement.....	99
19.6.4 - Left Draper Drive Belt 2 Replacement.....	99
19.6.5 - Right Hand Drive Belt Replacement.....	100
19.6.6 - Center Draper Drive Chain Replacement.....	100
19.6.7 - Right Hand Draper Belt 1 Replacement.....	101
19.6.8 - Right Hand Draper Belt 2 Replacement.....	101
19.7 - Drapers.....	102
19.7.1 - Side Draper Belt Tension.....	102
19.7.2 - Side Draper Belt Tracking.....	102
19.7.3 - Center Draper Belt Tension.....	103
19.7.4 - Draper Installation.....	103
19.7.5 - Draper Tensioner Setup.....	104
19.7.6 - Remove & Install Center Draper Belt.....	104
19.7.7 - Draper Splicing.....	105
19.8 - Reel.....	106
19.8.1 - Set Reel Safety Stops.....	106
19.8.2 - Rephasing Reel Cylinders.....	106
19.8.3 - Automatic Reel Speed.....	106
19.8.4 - Reel Speed Sensor Adjustment.....	106
19.8.5 - Combine PPR Settings for HB Reels.....	107
19.8.5.1 - John Deere Combines.....	107
19.8.5.2 - AGCO (Gleaner, Massey, Challenger).....	108
19.8.5.3 - CNH & LEXION.....	108
19.8.6 - Minimum Reel Height and Leveling Reel.....	109
19.8.7 - Reel Finger Replacement.....	110
19.8.8 - Control Ring Rollers (HB Reel).....	110
19.9 - Knife.....	111
19.9.1 - Knife Drive Component Torque Recommendations.....	111
19.9.2 - Set Cutterbar Knife Timing.....	111
19.9.3 - Knife Head Featherplate.....	112

19.9.4 - Installing Low Profile Guards.....	113
19.9.5 - Set knifehead bearing assembly fore/aft position.....	113
19.9.6 - Knife Section Service Kit.....	114
19.9.7 - Cutterbar Maintenance.....	114
19.9.8 - Replacing the Knife.....	115
19.9.8.1 - Removing the Right Hand Knife.....	115
19.9.8.2 - Removing the Left-Hand Knife.....	116
19.9.8.3 - Installing the new knife (left or right).....	116
19.9.9 - Inspect Knife Sections.....	117
19.9.10 - Remove and Install Knife Sections.....	117
19.9.11 - Repair Broken Knife Back.....	118
19.9.12 - Connector Bar.....	118
19.10 - Dividers.....	119
19.10.1 - Divider Skid Ski.....	119
19.10.2 - Crop Divider Extensions.....	119
19.10.3 - Divider Handle.....	119
19.11 - Feed Auger.....	120
19.11.1 - Finger Timing Adjustment.....	120
19.11.2 - Feed Auger Drum Position.....	120
19.11.3 - Feed Auger Interior Access.....	120
19.11.4 - Remove and Install Feed Auger Fingers.....	121
19.11.5 - Remove and Install Feed Auger Finger Guides.....	121
19.12 - Hydraulic Tilt Cylinder.....	121
19.13 - Center Rock Trap and Draper Cleanout.....	122
19.14 - Open Side Shield.....	122
19.15 - Drive Shaft Maintenance.....	122
19.16 - FLEX Header Height Control Sensors.....	123
19.16.1 - FLEX Header Height Sensor Tab Adjustment.....	124
19.16.2 - FLEX HHC Sensor Range.....	124
19.17 - RIGID Subframe Header Height Sensors.....	125
19.18 - Checking for Air Leaks.....	126
19.19 - Air Compressor Inlet Air Filter.....	127
19.20 - Subframe Air Bag Adjustment.....	128
19.21 - Skid Shoes.....	129
19.21.1 - Skid Shoe Alignment.....	129
19.21.2 - Skid Shoe Wear Points.....	129
19.21.3 - Skid Shoe Cylinder Adjustment.....	130
19.21.3.1 - Drive Paddle Skid Shoe.....	130
19.21.3.2 - Skid Shoe Shock Absorber Inspection.....	130
19.21.3.3 - End Paddle Pull Type Skid Shoes.....	131
19.21.3.4 - End Paddle Push Type Skid Shoes.....	131
19.21.3.5 - Pull Type Skid Shoes.....	132
19.21.3.6 - Push Type Skid Shoes.....	132
19.22 - Lubrication.....	133
19.22.1 - Mixing of Lubricants.....	133
19.22.2 - Alternative and Synthetic Lubricants.....	133
19.22.3 - Wheel Bearing Grease.....	133
19.22.4 - Reel Lubrication.....	133
19.22.5 - Gearbox Lubrication.....	133
19.22.6 - Feeder Deck Drive Chain Lubrication.....	133
19.22.7 - Knife Head Lubrication.....	134
19.22.8 - End Paddle Lubrication.....	134

19.22.9 - Gauge Wheel Lubrication.....	134
19.22.10 - Drive Shaft Lubrication.....	134
19.22.11 - Lubricant Storage.....	135
19.22.12 - Grease Specifications.....	135
19.22.13 - Lubrication Location & Interval.....	136
20 - Support.....	138
21 - Header Transport & Storage.....	139
21.1 - Read before Transporting.....	139
21.2 - Measurements for Flatbed Transport.....	139
21.3 - Towing Vehicle Requirements.....	139
21.4 - Transporting on Combine.....	139
21.5 - Prepare the Header for Transport on Cart or Trailer.....	140
21.6 - Transport Using Optional Transport Cart.....	141
21.6.1 - Trailer Brake Settings.....	142
21.6.2 - Off-Road Transportation.....	142
21.6.3 - On-Road Transportation.....	142
21.6.4 - After Transporting.....	142
21.7 - Transporting on Flatbed Trailer.....	143
21.7.1 - With Optional Transport Package.....	143
21.7.2 - Without Optional Transport Package.....	144
21.8 - Quick Dismount.....	145
21.9 - End of Season Storage.....	146
22 - Appendix.....	147
22.1 - AGCO Bezels.....	147
22.1.1 - Configuring the AGCO Bezels.....	148
22.2 - Stripper Plates for CNH and Lexion Combines.....	151
22.3 - Permanently Lubricated Bushing Locations.....	152
22.4 - Header Height Control Sensor Locations.....	153
22.4.1 - Automatix Lite Display Sensor Identification.....	153
22.5 - Speed Sensor Location.....	154
22.6 - Lift Valve Performance BeeBox.....	155
22.7 - 2016 or later JD Combine Check valve Kit.....	156
22.8 - Recommended Torque Values (ft-lb).....	157
22.9 - Drive Shaft Lengths.....	158
22.10 - Electrical Layout.....	159

3 - Products Covered & Important Information

IMPORTANT!

This manual covers the AirFLEX NXT Series header ONLY.

IMPORTANT!

Review the sections of this manual regarding adjustments, settings, leveling, and table height before attempting to operate this header.

Without proper adjustment, damage to the header may occur.

IMPORTANT!

Please wash this equipment after transporting!

Honey Bee Manufacturing will not be responsible for any paint deterioration resulting from salt or harsh chemical corrosion if this equipment is not properly washed after transport. Use a mild soap solution, then rinse thoroughly.

If this equipment is stored near salted roadways through the winter months, it should be cleaned each spring.

IMPORTANT!

If reading this as a digital document:

Please be aware that the table of contents and cross references within this document can be clicked to bring you directly to the contents they reference.

On most software, you can press CTRL+F to bring up a search box that allows you to find specific words or terms within the document.

4 - Purchase Information

Dealers Name: _____

Address: _____

Phone: _____

Purchase Date: _____

Model: _____

Serial Number: _____

Delivery Date: _____

Modification Record	
Date	Modification

Honey Bee Manufacturing Limited is continually striving to improve its products. We reserve the right to make improvements or changes when it becomes practical and possible to do so, without incurring any obligation to make changes or additions to the equipment sold previously.

This page intentionally left blank

6 - Introduction

All information, illustrations and specifications in this manual are based on the latest information available at the time of publication. The right is reserved to make changes at any time without notice.

This manual should be considered a permanent part of your header and should remain with the machine when you sell it.

Use only correct replacement parts and fasteners. Metric and inch fasteners require a specific metric or inch wrench.

All names given in this document for equipment components are those in use at the time of design.

Please write down your equipment serial numbers in the Specification section to help in tracing the header should it be stolen. Your dealer also needs these numbers when you order parts. File the identification numbers in a secure place away from the header.

6.1 - Directions

Right and left hand sides are determined by facing in the direction the implement will travel when going forward.

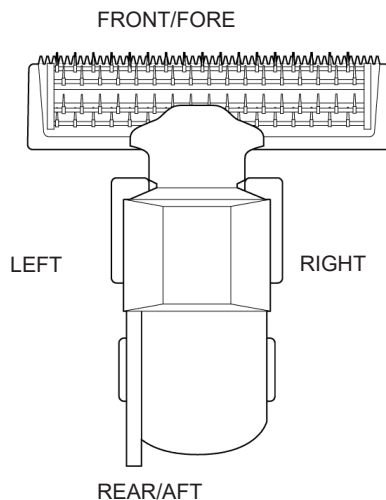


Fig. 2 - Reference directions

6.2 - Warranty

The warranty is provided as part of Honey Bee support program for customers who operate and maintain their equipment as described in this manual.

Honey Bee Manufacturing Ltd. (Honey Bee) warrants your new Header to be free of defects in material and workmanship, under normal use and service. Obligations under this warranty shall extend for a period of 1 year (12 months) following the date of first use to the original purchaser and shall be limited to, at the option of Honey Bee, replacement or repair of any parts found, upon inspection by Honey Bee, to be defective.

Warranty Claims

The purchaser claiming under this warranty shall report a warranty claim to his Authorized Dealer. The dealer shall complete the claim, on the prescribed form online, for inspection by an authorized company representative. Warranty claims must be submitted online within 60 days of warranty expiration on the Honey Bee Manufacturing Ltd Claim Form (CFI).

Limitations of Liability

This warranty is expressly in lieu of all other warranties expressed or implied and all other obligations or liabilities on our part of any kind or character, including liabilities for alleged representations or negligence. We neither assume nor authorize any person to assume, on our behalf, any liability in connection with the subsequent sale of the Header.

This warranty shall not apply to any Header which has been altered outside the factory in a way that Honey Bee judges to affect its operation or reliability, or which has been subject to misuse, neglect, or accident.

Operator Manual

The purchaser acknowledges having received training in the safe operation of the Header and that Honey Bee does not assume any liability resulting from the operation of the Header in any manner other than described in this manual.

This page intentionally left blank

7 - Safety

7.1 - Recognize Safety Information



This is a safety-alert symbol. When you see this symbol, be alert to the potential for personal injury. Follow recommended precautions and safe operating practices.

7.2 - Understand Signal Words

The following are safety terms used around the equipment and throughout this manual. Please read and understand their descriptions.

DANGER!

Indicates an imminently hazardous situation that, if not avoided, will result in death or serious injury. This signal word is to be limited to the most extreme situations.

WARNING!

Indicates a potentially hazardous situation that, if not avoided, could result in death or serious injury, and includes hazards that are exposed when guards are removed. It may also be used to alert against unsafe practices.

CAUTION!

Indicates a potentially hazardous situation that, if not avoided, may result in minor or moderate injury. It may also be used to alert against unsafe practices.

IMPORTANT!

Warns of potential damage to the header if proper procedures are not followed.

NOTE:

Notifies you of important information to which you should pay attention.

7.3 - Read and Understand Instructions and Warnings

Please read and understand all warnings and safety information contained within this manual and the signs located on your equipment.

You may find additional safety information on after-market equipment not included in this manual.

Only allow trained individuals to operate the header.

Unauthorized equipment modifications can cause injury or equipment failure that is not covered under warranty.

7.4 - Protective Clothing

WARNING!

When working around running equipment, secure all loose items such as long hair, jewelry, or loose clothing are secured so they do not contact moving parts. Failure to do so will result in injury or death.

Wear hearing protection to protect against hearing damage.

Operating equipment safely requires your full attention, do not wear headphones while operating the header.

7.5 - In Case of Emergency

NOTE:

Keep a first aid kit and fire extinguisher with your header at all times. Keep phone numbers for emergency services near your telephone.

7.6 - High Pressure Spray

IMPORTANT!

Avoid spraying yourself, electronics or hydraulic connections with a pressure sprayer.

7.7 - Store the Header Safely

WARNING!

Ensure your header and all attachments are secured when not in use. Keep bystanders away from equipment and storage area. Failure to comply can result in injury or death.

7.8 - Safety Around Moving Parts

DANGER!

Never attempt to service your equipment while in operation. Always shut off the combine and wait for all moving parts to come to a complete stop before approaching the header.

Keep guards and shields in place at all times. Ensure that they are serviceable and installed correctly.

Cutterbar, auger, reel, drive shafts, and drapers cannot be completely shielded due to their function. Stay clear of these moving elements during operation.

7.9 - High-Pressure Hydraulics

DANGER!

High pressure hydraulic leaks can penetrate the skin causing serious injury. Always relieve pressure before disconnecting hydraulic lines and tighten all connections before applying pressure.

Hydraulic leaks can be extremely small and difficult to see. Search for leaks with a piece of cardboard. Protect hands and body from high-pressure fluids.

If an accident occurs, see a doctor immediately. Any fluid injected into the skin must be surgically removed within a few hours or gangrene may result. Doctors unfamiliar with this type of injury should reference a knowledgeable medical source.

7.10 - Transporting the Header

IMPORTANT!

When transporting the header, frequently check for traffic from the rear, especially in turns. Always use headlights, flashing warning lights, and turn signals (when turning) day and night. Follow local regulations for equipment lighting and marking. Keep lighting and marking visible, clean, and in good working order, replace if necessary.

Avoid transporting the header on public roadways with header attached to the combine.

If combine must be transported with header attached, ensure all warning lights are operating, and reflective material is clean and visible.

Completely retract and lower the reel before transporting.

Use of a spotter or pilot vehicle is recommended on busy, narrow or hilly roads and when crossing bridges.

Drive at a speed safe for conditions.

Do not exceed 20 mph (32 km/h) when transporting the header on the optional transport package.

7.11 - Parking the header

WARNING!

When parking the header, ensure it is parked on firm level ground (0% grade). Parking on a slope can result in the header rolling away causing equipment damage or injury/death.

7.12 - Using Correct Torque Values

IMPORTANT!

It is extremely important that you use the correct torque values when servicing your AirFLEX header. Failure to follow the torque recommendations can result in equipment damage. See page 157

7.13 - Practice Safe Maintenance

WARNING!

Before attempting to service your equipment, ensure that you fully understand any procedure that you are about to attempt.

Ensure all equipment is secured against sudden drops.

Keep the work area clean and dry.

Keep all parts in good condition and properly installed. Fix damage immediately. Replace worn or broken parts. Remove buildup of grease, oil, or debris.

If welding on the header, first disconnect battery ground cable (-). before making adjustments to electrical systems or welding on the header.

The header must be lowered to the ground before servicing. If the work requires that the header or reel be lifted, provide secure support. If left in a raised position, hydraulically supported devices can settle or drop suddenly.

Do not support the header on cinder blocks, hollow tiles, or props that may crumble under continuous load. Do not work under a header that is supported only by a jack.

Do not attempt to clean drive belts or drapers with flammable cleaning solvents.

7.14 - Fire Safety

WARNING!

Build up of chaff and crop debris near moving parts is a fire hazard. Check and clean these areas frequently. Before inspection or service, shut off engine, engage the parking break, remove the key and wait for all moving parts to come to a stop.

Keep a fire extinguisher with your equipment at all times and ensure the operator is educated in its operation.

7.15 - Keep Equipment Clean

IMPORTANT!

Inspect and clean your equipment before every use. Clear away all material buildup. Pay special attention to all moving parts such as drive belts, drive shafts, and bearings. Failure to keep the equipment clean can result in fire.

This page intentionally left blank

8 - Specifications

Model	225	230	236	240	245	250	260
Total Width (excluding transport and reflectors)	26 ft (7.93m)	31 ft (9.45m)	37 ft (11.28m)	41 ft (12.50m)	46 ft (14.02m)	51 ft (15.55m)	61 ft (18.59m)
Cutting Width	25 1/4 ft (7.70 m)	30 1/4 ft (9.22 m)	36 1/4 ft (11.05 m)	40 1/4 ft (12.27 m)	45 1/4 ft (13.79 m)	50 1/4 ft (15.32 m)	60 1/4 ft (18.36 m)
Header Base Weight* - Operating Configuration	6513 lbs (2961 kg)	6996 lbs (3180 kg)	7402 lbs (3365 kg)	8186 lbs (3721 kg)	8620 lbs (3918 kg)	8907 lbs (4049 kg)	10052 lbs (4569 kg)
Optional All Crop Edition (Suspended Subframe and Gauge Wheels)	280 lbs (127.27kg)						440 lbs (200 kg)
Optional Transport Package	Optional heavy duty road transport with electric brakes, or with no brakes (not for highway use).						Not Available
Optional Transport Package Weight	880 lbs 400 kg						Not Available
Optional Cross Auger	Hydraulically driven cross auger.						
Optional Cross Auger Weight	214 lbs (97 kg)	305 lbs (139 kg)	339 lbs (154 kg)	363 lbs (165 kg)	398 lbs (181 kg)	429 lbs (195 kg)	488 lbs (222 kg)
Cutting System	Mechanically driven Low Cut knife drive with SCH sections. 9" (22.9 cm) of FLEX.						
Reel	Hydraulically driven, with multiple crop settings and finger spacing options. Automatic reel speed control						
Optional Cam Reel Weight (this weight is difference between standard flip over reel and Cam reel)	70 lbs (32 kg)	76 lbs (34 kg)	72 lbs (33 kg)	81 lbs (37 kg)	81 lbs (37 kg)	93 lbs (42 kg)	93 lbs (42 kg)"
Optional Hydraulic Adjustable Skid Shoes	Optional hydraulic adjustable skid shoes adjusted from combine controls. Used to vary cut height while in FLEX mode from 0-8 inches (0.2 m)						
Optional Hydraulic Skid Shoe Weight	195 lbs (88 kg)	273 lbs (124 kg)	274 lbs (125 kg)	353 lbs (160 kg)	354 lbs (161 kg)	355 lbs (162 kg)	434 lbs (197 kg)
Adapters for most modern combines	Adapter Average Weight of 240 lbs (110 kg)						
Vertical Shears - Mechanical Driven and Quick Attach/ Detach	110 lbs (50 kg)						
Drapers	Mechanically driven with simple to use tensioning system.						
Record your equipment serial numbers below for reference in the event of service or theft.							
Header Serial Number:							
Reel Serial Number							
These specifications are subject to change without notice or obligation.							
*Note: The weights listed above are based on the most common equipment configuration. Additional installed options or aftermarket attachments will increase the weight listed above.							

This page intentionally left blank

9 - Safety Decal Locations

Please take a moment to walk around your equipment and familiarize yourself with the safety decals and features on your equipment. Refer to the figure below and the decal list on the following pages for assistance.

Please ensure that you fully understand all safety warnings and instruction before operating this equipment.

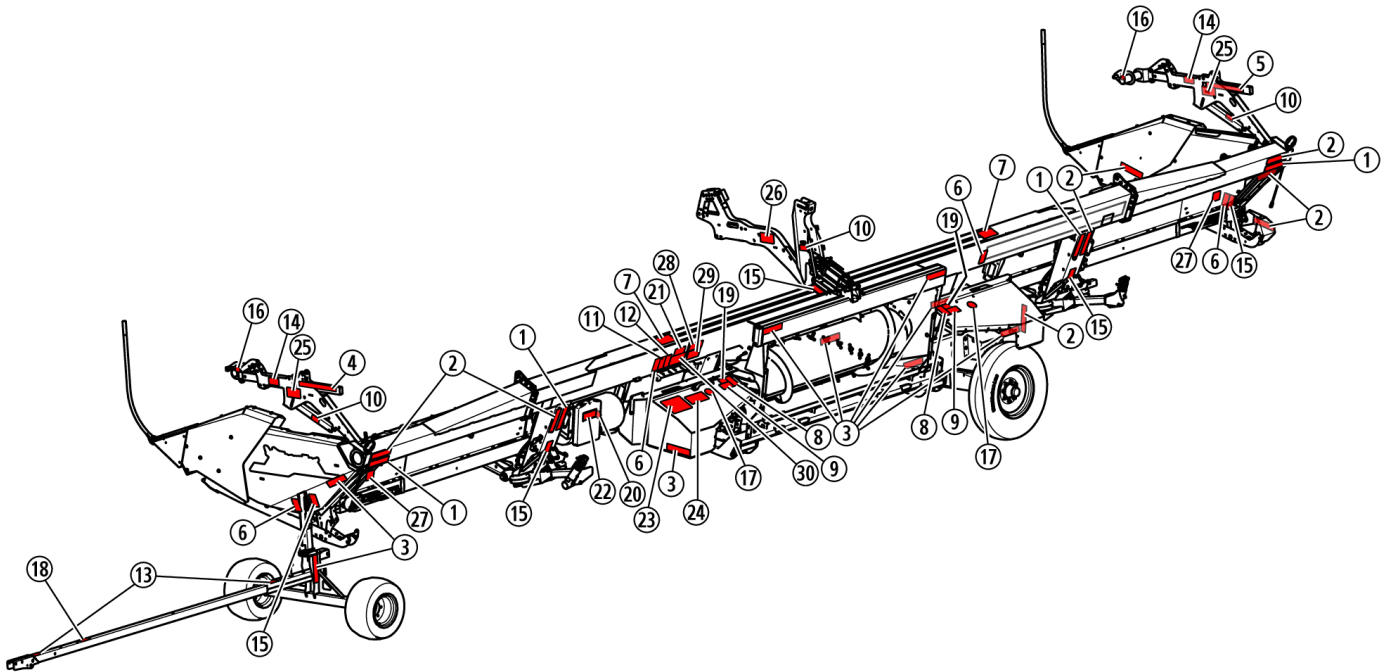


Fig. 3 - Decal Locations



Fig. 4 - Red/orange reflector - #27360



Fig. 5 - Red reflector - #28386



Fig. 6 - Yellow reflector - #28387

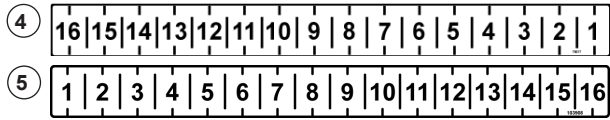


Fig. 7 - Left/Right end reel fore/aft Indicator - #79017/#103908



Fig. 8 - Crush warning keep safe distance - #87233



Fig. 9 - Fall warning, do not step here - #87235



Fig. 10 - Rotating shaft warning do not touch - #87237



Fig. 11 - Entanglement warning do not touch - #87239

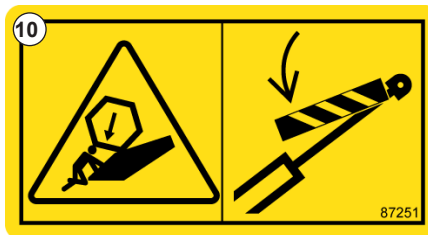


Fig. 12 - Reel drop warning, lock reel arm when servicing - #87251

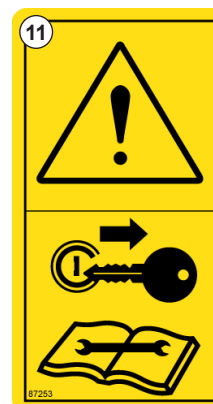


Fig. 13 - Turn off equipment and read manual before servicing - #87253

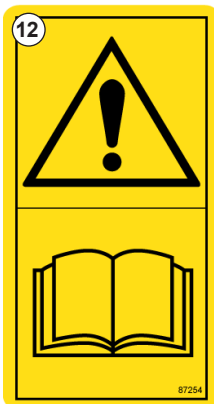


Fig. 14 - Read manual before operating - #87254



Fig. 15 - Crash warning, do not exceed 32km/h (20 mph) - #87255



Fig. 16 - Rotating part warning turn off equipment and read manual before servicing - #87259



Fig. 17 - Pinch warning, keep away from moving parts - #87263

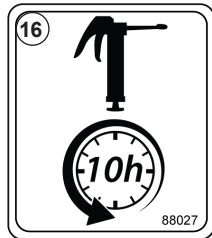


Fig. 18 - Grease every 10 hours - #88027



Fig. 19 - This is not a step - #89214

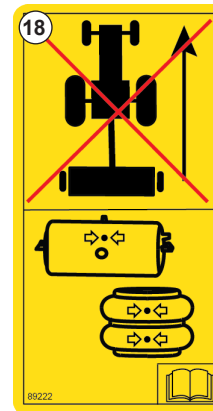


Fig. 20 - Ensure air system is fully pressurized before transporting - #89222

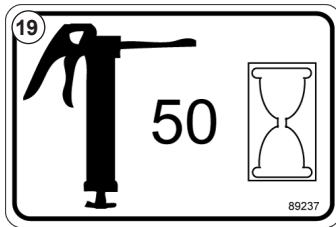


Fig. 21 - Grease every 50 hours - #89237



Fig. 22 - Do not pressure wash this area - #89333



Fig. 23 - High pressure fluid warning - #102807



Fig. 24 - Operator manual location - #102812

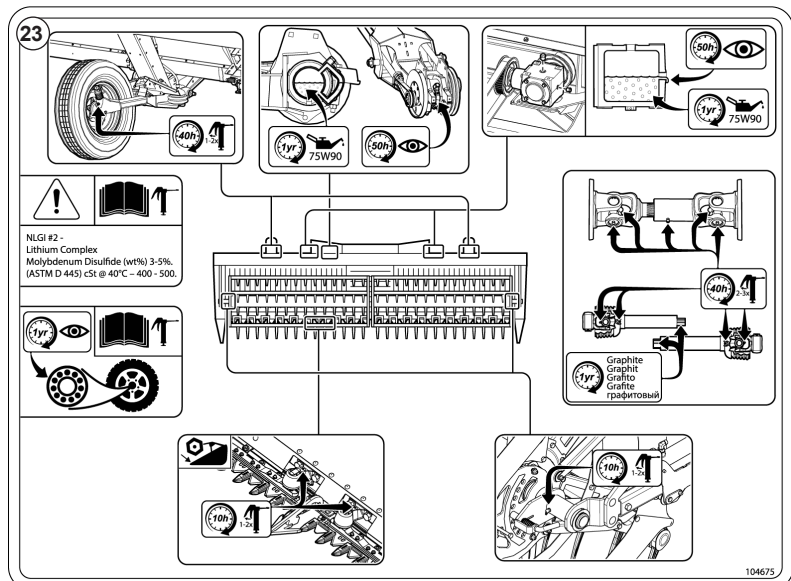


Fig. 25 - Basic lubrication instructions - #103766

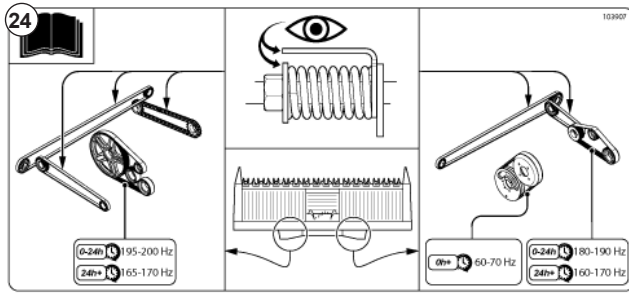


Fig. 26 - Basic belt tension instructions - #103907

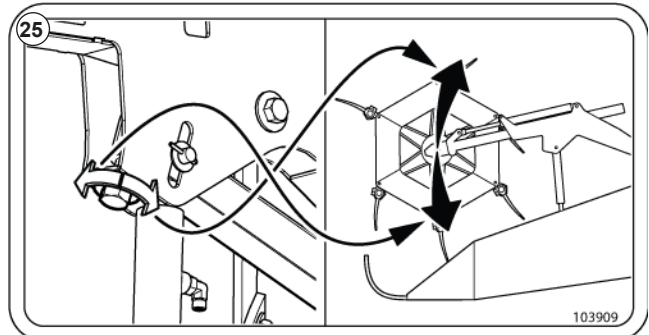


Fig. 27 - Left and right end reel arm height adjustment instructions - 103909

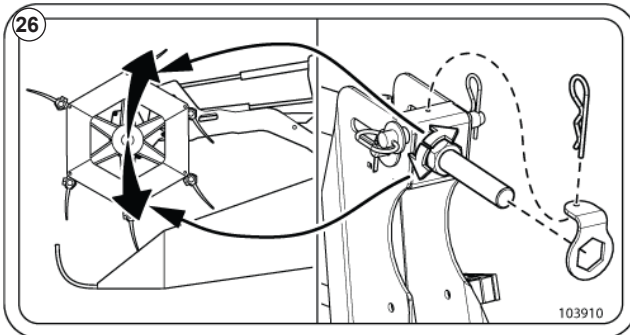


Fig. 28 - Centre reel arm height adjustment instructions - 103910

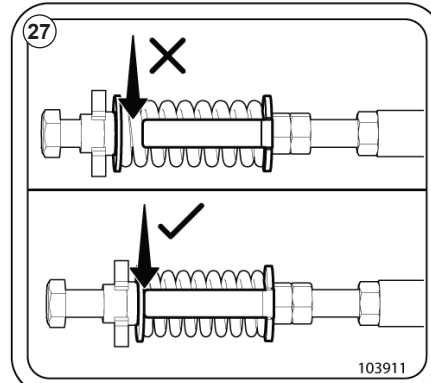


Fig. 29 - Draper tension instructions - 103911

##	kg
225	8000 lbs (3636 kg)
230	8700 lbs (3955 kg)
236	9300 lbs (4227 kg)
240	9900 lbs (4500 kg)
245	10300 lbs (4682 kg)
250	10750 lbs (4886 kg)

Fig. 30 - Transport weight warning. Be aware of equipment weight and read manual before transporting - #103912

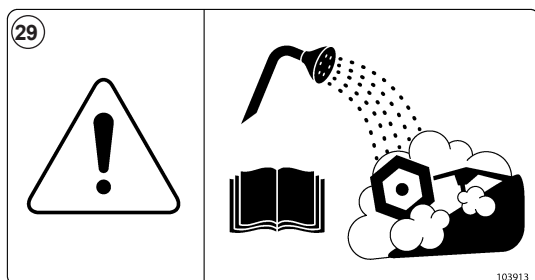


Fig. 31 - Wash equipment before use - #103913



Fig. 32 - Tip warning, ensure combine is properly ballasted prior to operating - #103914

10 - Equipment Overview

Please take a moment to familiarize yourself with the header, its components and modes of operation.

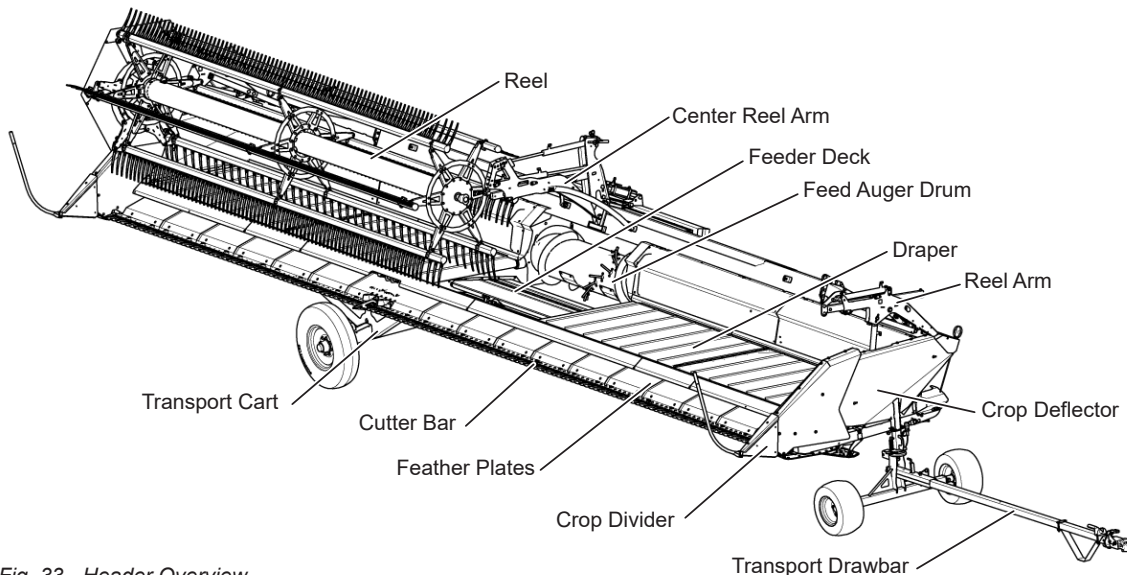


Fig. 33 - Header Overview

10.1 - Optional Transport Package

Featuring removable transport cart with minimal impact on balance, weight and function. The full transport can be safely removed and installed by a single person.

The transport is designed to be towed by a vehicle or combine when not on the header.

10.2 - Automatic Header Height Control (HHC)

The AirFLEX Header Height system relays the table proximity to the ground to the combine. This allows the combine to adjust feeder house height and tilt, to maintain cutter bar clearance from ground in RIGID mode, or maintain float in FLEX mode.

NOTE:

Your combine must be equipped with auto lateral tilt for the header to function properly with automatic header height control.

10.3 - Interchangeable Combine Adapters & Drive Pulleys

The header is designed to be easily adaptable to fit all major brands of combine. Faceplates, multi couplers, PTO shafts, drive pulleys and adjustable auger strippers are available for JD, CNH, LEXION, Versatile, Gleaner, Massey Ferguson, Rostselmash and Fendt Ideal combines.

10.4 - Drive System

Most components on the header are mechanically driven, excluding the reel and its related functions (Fore/Aft, Reel Up/Down) and hydraulic header tilt.

There is no hydraulic pump or tank on the header. Hydraulic devices on the table are powered using combine hydraulics.

The mechanical drive system is designed to synchronize knives in opposing motion to minimize vibration transferred to frame and combine.

10.5 - FLEX Mode

When in FLEX mode, the cutter bar on the header will become Flexible and will automatically follow the contours of the terrain. The system senses the location of each paddle and reacts to the highest one on each side of the header, the cutter bar can FLEX up and down with a range of approximately 9" (23 cm).

This mode of operation is ideal for low lying crops.

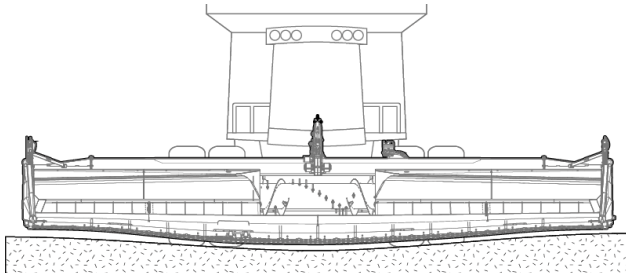


Fig. 34 - FLEX Mode

10.6 - RIGID Mode

When in RIGID mode, the cutter bar becomes locked with minimal flexibility. The system will sense the ground height via the suspended subframe sensors. The AirFLEX works like a regular header in this mode.

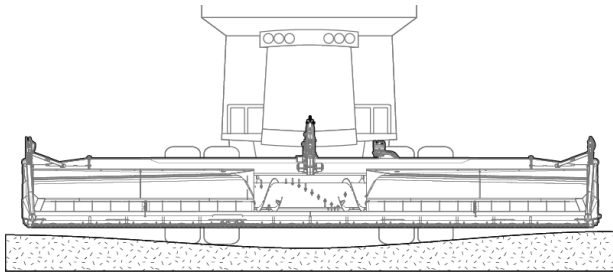
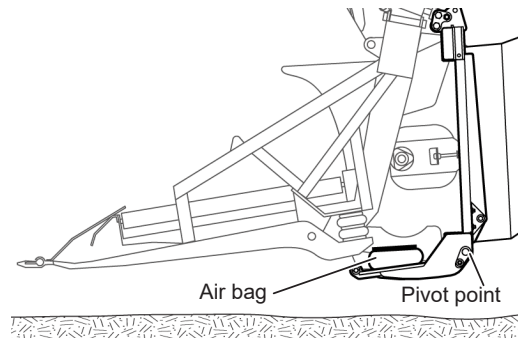


Fig. 35 - RIGID Mode

10.7 - Suspended Subframe

The suspended subframe assists in smoothing out the motion of the table and senses when the entire header is pushed upwards by the cutter bar or gauge wheels. The suspended subframe sensors can be used in conjunction with RIGID auto header height control.



10.8 - Gauge Wheels

Gauge wheels work with the subframe suspension to help float the header when operating in RIGID mode. The gauge wheel air pressure isolation valves must be closed when in RIGID Subframe Sensing mode (see section 16.7.3 on page 71) and open when in FLEX mode (see section 16.6 on page 68).

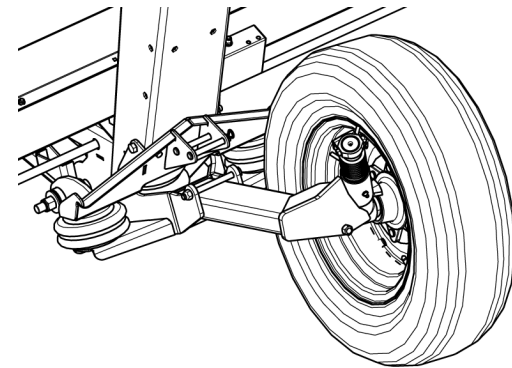


Fig. 36 - Gauge Wheel

11 - Before First Use and Pre-Season Inspection

11.1 - Combine Specific Header Modifications



IMPORTANT!

Some combine configurations will require special modifications to the header prior to mounting. It is extremely important to read this section and follow all applicable steps prior to installing/operating the header.

11.1.1 - 2016 or Newer JD Combines

If installing the header on a 2016 or newer John Deere Combine, a check valve must be installed on the header to ensure proper operation. Prior to mounting the header, follow the instructions in section 22.7 on page 156.

11.1.2 - Combines with 'Bang-Bang' or 'Switching' style directional control valves.

If installing the header on a combine equipped with Bang-Bang style directional control valves, the BeeBox should be installed to prevent header height hunting. Prior to mounting the header, follow instructions in section 22.6 on page 155.

11.1.3 - Gleaner/Massey Ferguson/ Challenger Combines

If installing the header on a Gleaner, Massey Ferguson, or Challenger combine, ensure that the proper bezel configuration is installed on the faceplate prior to mounting the header to the combine. See section 22.1 on page 147 for details.

11.2 - Header Inspection

Dirt & Material Build-up

Inspect the header for dirt, material buildup and obstructions then clean/clear as necessary (inside drapers, under side shields, around drive belts, feeder house etc.).

Cutting System

Inspect the cutting system for signs of damage, wear or material buildup.

Check for broken knife sections, guards & hold-downs.

Ensure knife timing is correct. (See Fig. 204 and Fig. 205 on page 111)

Drive Belts

Ensure drive belts are undamaged, cleaned, properly aligned and tensioned. See section 19.5 on page 91 for details.

Drapers

Check the three draper belts for damage, debris or uneven wear. Replace when required.

Ensure the draper belts are properly tensioned and that they are tracking properly. See section 19.5 on page 91 for details.

Crop Dividers

Ensure the crop dividers are properly installed & free from material buildup. (See Fig. 41 on page 35)

Gauge Wheels

Inspect the gauge wheels for material buildup and ensure the wheels are adequately inflated.

Safety Shields

Inspect the header and ensure all protective shields are in place. Replace all damaged or missing shields. Inspect the shields for missing/ loose fittings.

Header Height Control Sensors

Ensure header height sensors are installed and undamaged. Replace if necessary. Clean away material buildup.

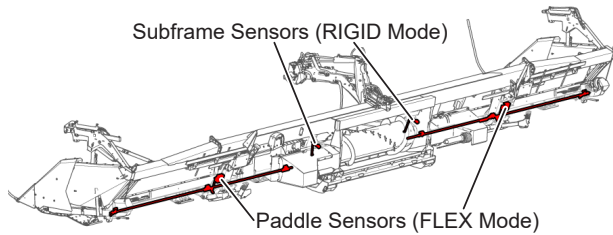


Fig. 37 - AirFLEX Header Height Control Sensor Locations

Support Straps

There heavy-duty permanent fabric support straps located around the header, these straps allow added support while also allowing header to flex where needed. At the beginning of each season, inspect these straps for wear or damage.

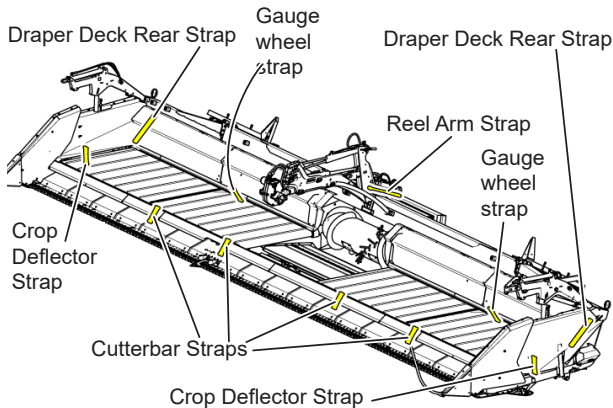


Fig. 38 - Support Strap Locations

Combine Feeder house

Inspect the combine feeder house for material buildup and clean as necessary.

Header Feed Auger

For initial setup ensure the feed auger drum is in its fully forward position & that it will not come into contact with any other parts of the equipment during operation. This can be adjusted later to suit the combine. See section 19.11 for details.

Reel

Ensure the reel bats are in their operational position.

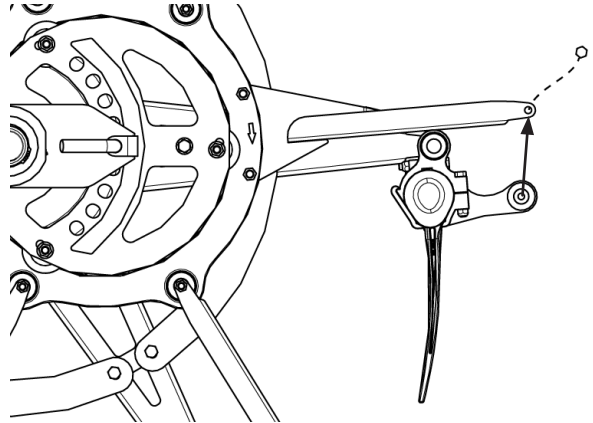


Fig. 39 - Raise reel bat to operational position

Multicoupler

Thoroughly inspect the connection faces on the header and the combine sides of the hydraulic multicoupler. Ensure the o-rings are in place and clean all debris from the fittings.

Inspect the hydraulic hoses and replace/repair as needed.

Verify the header is equipped with the appropriate multicoupler, drive shafts, drive pulleys and adapter plate for use with your combine model.

Lubrication

Check fluid levels on all gearboxes.

Apply grease where needed as outlined in section 19.22 on page 133 section of this manual.

Optional Transport Cart

Check the transport cart axle to ensure the wheel axle bolts are installed. If these bolts are removed, the wheels may fall off during transport.

Take Note

...of items that require attention after the header is connected to the combine as outlined in the combine operator manual.

11.3 - Before First Use and Pre-Season Checklist

Combine Specific Header Modifications

- 2016 or newer JD Combines:** Install line lock kit as described in section 22.7 on page 156
- Combines with 'Bang-Bang' style directional control valves:** Install the BeeBox as described in section 22.6 on page 155
- Gleaner/Massey Ferguson/Challenger Combines:** Ensure correct bezel is installed as per section 22.1 on page 147 for details.
- Inspect the combine feeder house for material buildup and clean as necessary.
- Calibrate combine as per combine operator manual

Header Checklist

- Inspect the header for dirt, buildup and obstructions then clean as necessary (inside drapers, under side shields, feeder house etc.).
- Inspect the cutting system for signs of damage, wear or material buildup.
- Ensure knife timing is correct. (See Fig. 204 and Fig. 205 on page 111)
- Ensure drive belts are undamaged, properly aligned & tensioned. See section 19.5 on page 91 for details.
- Inspect the feeder deck drive chain, lubricate annually at the beginning of the season. See section 19.22.6 on page 133
- Check the three draper belts for damage or uneven wear. Replace when required.
- Ensure the draper belts are properly tensioned and that they are tracking properly. See section 19.7 on page 102.
- Ensure the crop dividers are properly installed & free from material buildup. (See Fig. 41 on page 35)
- Ensure all protective shields are in place. Replace all damaged or missing shields. Inspect the shields for missing/loose fittings.
- Ensure header height sensors are installed and undamaged. Replace if necessary. Clean away material buildup.
- There are a number of heavy-duty permanent fabric support straps located around the header, these straps allow added support while also allowing header to flex where needed. At the beginning of every season, inspect these straps for signs of wear or damage.
- Ensure the feed auger drum is in its fully forward position & that it will not come into contact with any parts of the header or combine during operation. See section 19.11 for details.
- Ensure the reel bats are in their operational position.
- Thoroughly inspect the hydraulic multicoupler. Clean all debris from the fittings.
- Inspect the hydraulic hoses and replace/repair as needed.
- Verify the header is equipped with the appropriate multicoupler and adapter plate for use with your combine model.
- Check fluid levels on all gearboxes & apply grease where needed as outlined in section 19.22 on page 133 section of this manual.
- Ensure transport cart axle bolts are installed. If these bolts are removed, the wheels may fall off during transport.
- Ensure gauge wheels are lowered from their transport position to their operational position as outlined in section 12.7 on page 42
- Take note of items which require attention after the header is connected to the combine as outlined in the combine operator manual.
- Check and clean the air compressor inlet air filter as explained in section 19.19 on page 127

This page intentionally left blank

12 - Mounting the Header to the Combine

12.1 - Combine Preparation

Follow all relevant instructions outlined in your combine operators manual prior to hooking up the header.

Check all locking mechanisms and/or lock pins on the Combine Feeder House to ensure they are working properly and will not interfere with the initial mounting of the header.

If the combine has a hydraulic tilt faceplate, tilt the face plate to an angle that allows easy hookup to the header.

WARNING!

If the feeder house is tilted forward, the front of the header may dig into the ground when the table is lifted. If the feeder house is tilted too far back, the rear of the header may dig into the ground and damage to the header may occur.

12.2 - Header Preparation

1. Park the header on flat, hard, level ground.
2. Inspect the header and remove all tie-downs and wires used to secure the equipment during the shipping process.
3. Raise the front reel bats into operational position & secure each end to timing arms using a 5/16" x 1-1/2" UNC bolt and 5/16" UNC C-Lock nut.

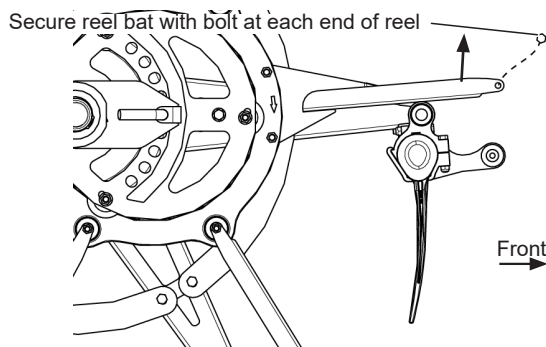


Fig. 40 - Raise reel fingers to operation position

4. Install the crop dividers, and crop divider pipes (or snub nose) to the ends of the table by sliding the two notched tabs on the bottom rear of each divider onto the two slots at the bottom of the frame face, then secure them in place by closing the lock handles.

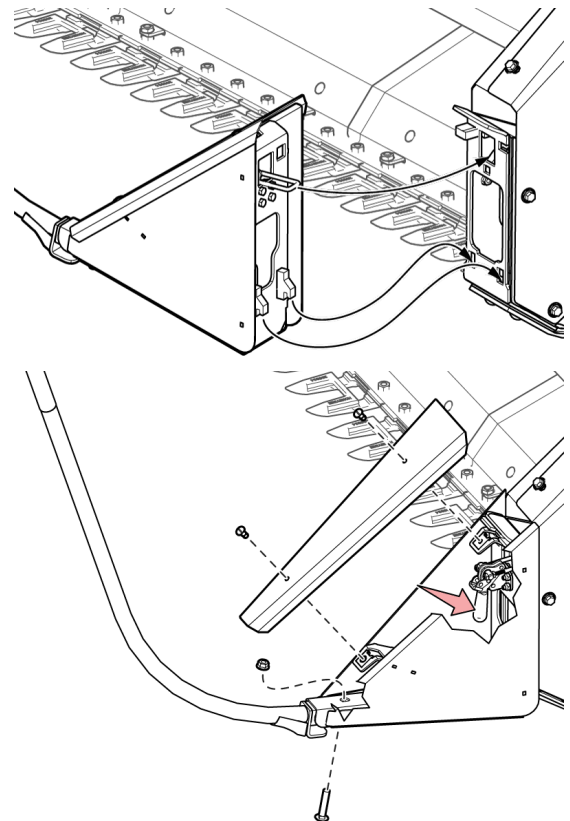


Fig. 41 - Install Crop Divider

12.3 - If Optional Transport Package is Installed



IMPORTANT!

Ensure the header rests on the ground to take the tension off the lock pins.

1. Remove the red draw bar holder that extends below one of the struts on the left side of the header. Place in a secure storage location.

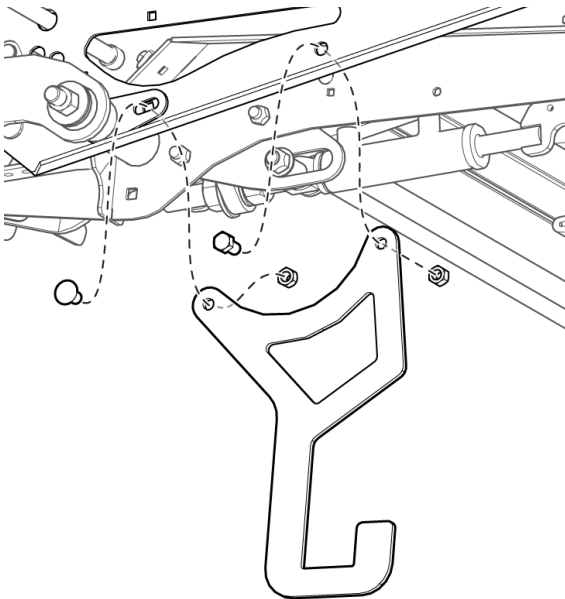


Fig. 42 - Remove Draw Bar Holder

2. Disconnect the header electrical cable from the draw bar axle.
3. Remove the pin securing the draw bar axle to the header frame. It will drop away when the header is lifted in a later step.

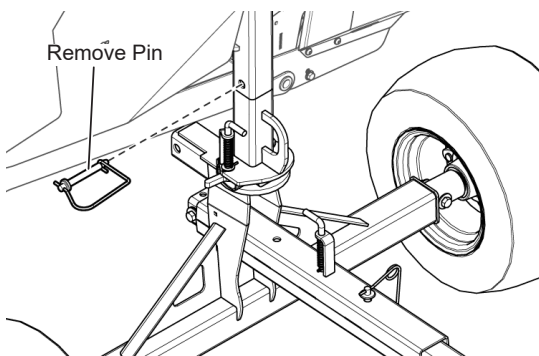


Fig. 43 - Remove Draw Bar Axle Pin

4. Release the transport cart from the frame by removing the pin and pulling on the lock handle until the 2nd notch nests on its bracket, then reinstall the pin.

Disconnect the transport electrical cable from the header.

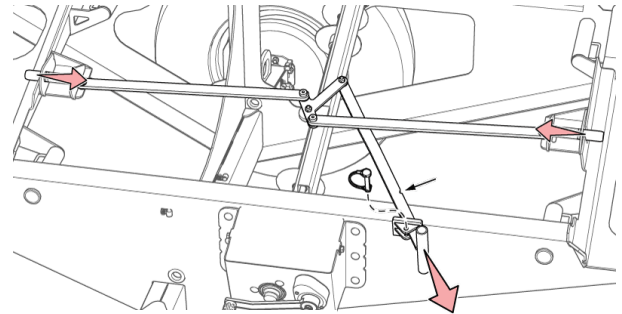


Fig. 44 - Unlock the transport cart

5. Lower the support bar and secure it in place with the pin.

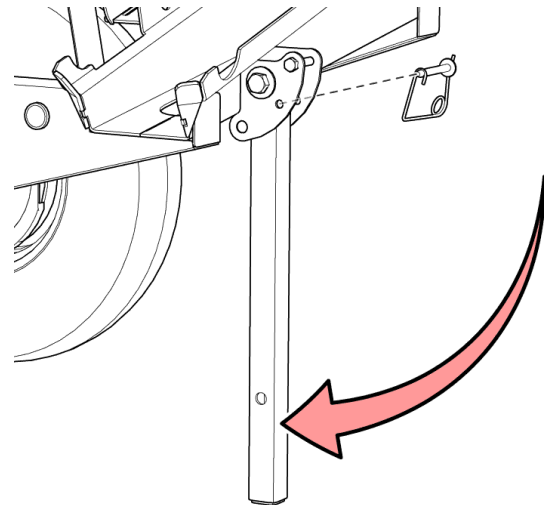


Fig. 45 - Lower the support bar

6. Once the header is mounted to the combine and raised (see section 12.4), use the hand crank on the transport cart to lower it to the ground. Disconnect the straps.

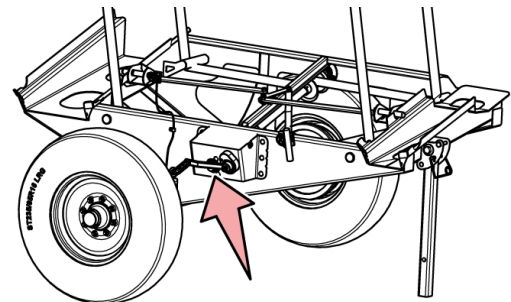


Fig. 46 - Lower the cart via the indicated handle

12.3.1 - Transport Storage

The draw bar and transport can be hooked together and towed to a storage location.

1. Lock support bar in horizontal position.
2. Insert the support bar into the draw bar axle and lock in place with pin.

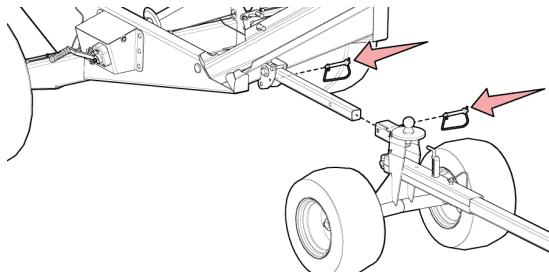


Fig. 47 - Transport Storage Position



WARNING!

Do not exceed 20 mph (32 km/h) when towing the transport cart. Always follow local regulations.



NOTE:

A dolly wheel hitch extension kit is available via the Honey Bee parts department. It extends the dolly wheel hitch by approximately 6 ft (1.83 m). The part number for the kit is G210306.

12.4 - Mounting the Header to Combine

NOTE:

If the optional transport package is installed, unlock the transport cart (but leave the lift straps connected) prior to lifting the header (see section 12.3).

1. Position combine directly behind the Header with the Feeder House aligned as closely as possible, on center, with the Feeder House Adapter on the Header.
2. Lower the combine feeder house and slowly drive the Combine forward until the top of the Feeder House is able to cradle the top Cross Member of the Subframe on the Header.

IMPORTANT!

Ensure the combine feeder chain has a minimum of 1/2" clearance from the feed auger drum.

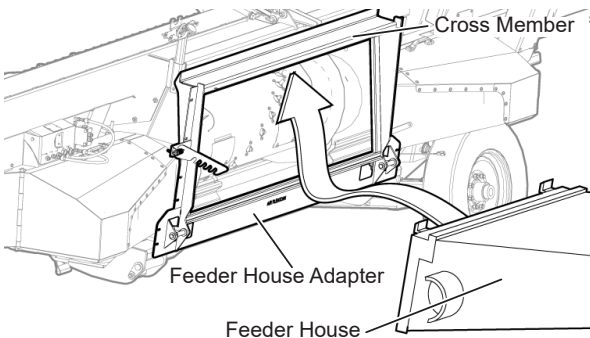


Fig. 48 - Insert Feeder House into Adapter Plate

3. Slowly raise the Feeder House until it makes contact with the inside top of the Feeder House Adapter.
4. Check clearance and alignment of the Feeder House to the Feeder House Adapter, the Adapter Frame & the Feed Auger Drum. If required, adjust the Feed Auger Drum to a more forward position in the Adapter (See section 13.2 on page 47 for details).

5. Check feeder house alignment and clearances, start the engine and raise the Feeder House and header to its fully raised position.

IMPORTANT!

If Feeder House and the Feeder House Adapter ARE NOT properly aligned, repeat this section of the manual.

WARNING!

To prevent injury, shut OFF engine, set parking brake, and remove the key before exiting the cab. Engage the feeder house cylinder safety locks before approaching the header.

6. Secure the header by inserting all lock pins and/or header adapter locking bolts as described in your Combine owner manual.

WARNING!

Ensure all locks are properly secured before proceeding.

12.5 - Forklift Unloading Attachment

If no transport cart was purchased with your header, you can order the forklift unloading frame. The unloading frame angles the header when on a transport trailer which keeps it within the regulation width required for highway transport. The frame must be removed before lifting the header with your combine.



WARNING!

To prevent sudden drops, ensure the combine feeder house is fully secured to the header and that the lifting frame is sitting on the ground before disconnecting it.

To remove the lifting frame:

1. Remove the fasteners from the locations shown in the illustration below.
2. Slowly lift the header with the combine. If the lifting frame moves, stop immediately and find the cause.

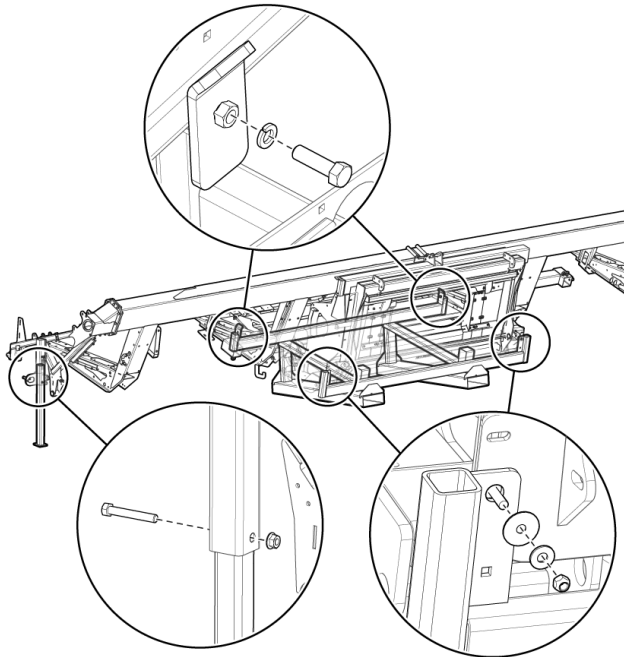


Fig. 49 - Disconnect lifting frame

12.6 - Hydraulic & Electrical connections

NOTE:

The multicoupler and harness design will vary between different combine makes.

1. Connect the main electrical harness and multicoupler to the header.

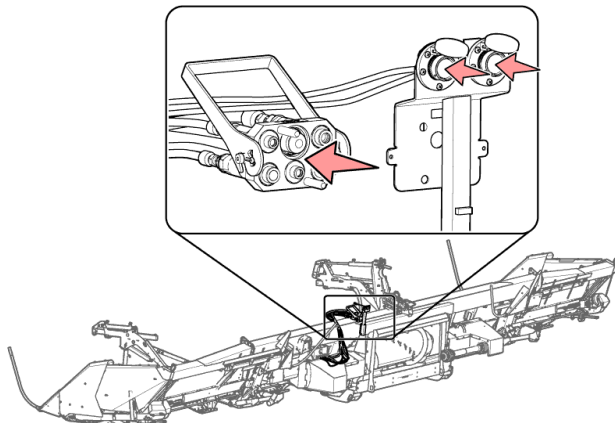


Fig. 50 - Connect Multicoupler & Electrical Harnesses

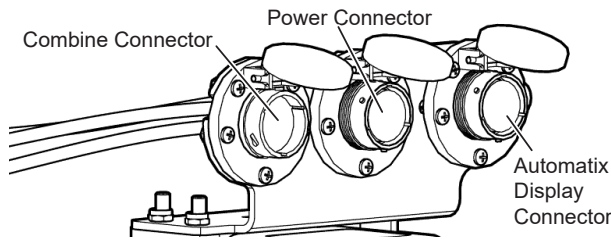


Fig. 51 - CNH & Rostselmash Connections

2. If using a combine (for example all Gleaner S8 and older combines) with 'Bang-Bang' style direction hydraulic valves, installed the BeeBox as described on page 155.
3. Connect one end of the Automatrix Lite Extension Cable to the Main Automatrix Harness.
4. Route the Automatrix Lite Extension Cable as close to the combine cab as possible, keep in mind where you want the cable to enter the cab while routing.

5. Using the provided mounting hardware, mount the Automatrix Lite control panel inside the cab in an easily viewable and accessible location.

- The suction cup must first be secured to flat, clean glass, then the lock tab secured.
- The ball and socket clamp mount can be secured to an appropriate protrusion within the cab.
- The ball and socket fixed mount can be screwed in place.

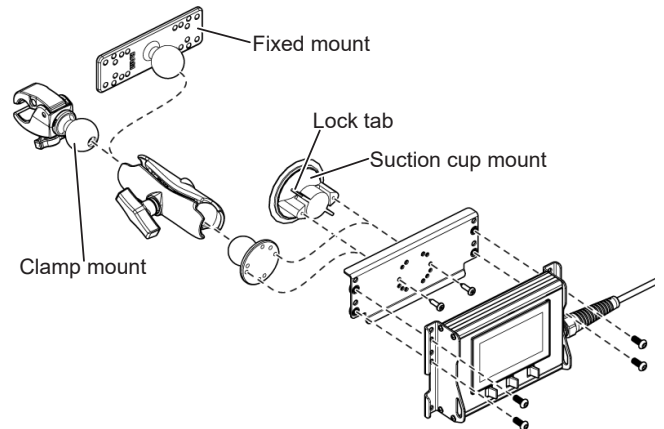


Fig. 52 - Automatrix mounting options

NOTE:

Ensure everything is clean and dust free prior to installation using the suction cup. The suction cup can only be installed on a flat window.

IMPORTANT!

When routing cables around the combine, always ensure that there are no high temperature or moving parts that might damage or interfere with the cable. To prevent equipment damage, always secure cables with zip ties or cable hold-downs.

IMPORTANT!

Check and ensure the cables and hoses are not routed in areas where they may become pinched when adjusting the feeder house position.

6. Route the two power connectors on the automatix lite electrical harness to the combine electrical power supply. Connect the power lines to the battery using the following rules:
 - Both of the power cables must not be connected directly to the battery. Always ensure that the circuit can be interrupted with a switch in order to prevent the battery from discharging during storage.
 - Connect the non-switched automatix power wire to the same battery to which the master switch is connected. This ensures the Automatix system will not be subjected to more than 12 volts. Some combines have battery relays that combine voltage to 24 volts.

STOP

IMPORTANT!

Anything over 14 volts can damage the header electrical system. If in doubt, use a multimeter to check the voltage during combine start-up. Some combines switch to 24 volt power momentarily when starting engine.

- Most modern combines use a positive switched system but some older combines use a negative switched system. Please inspect the combine to verify which system it uses as the connection points will differ.

📄

NOTE:

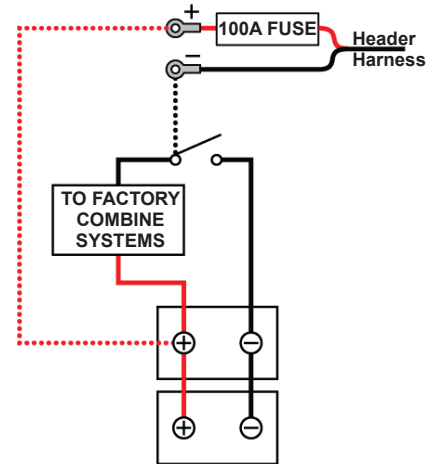
The battery master switch on Gleaner combines can be hard to reach, consider adding a second power switch for the Automatix power connection. Use a positive switched connection.

📄

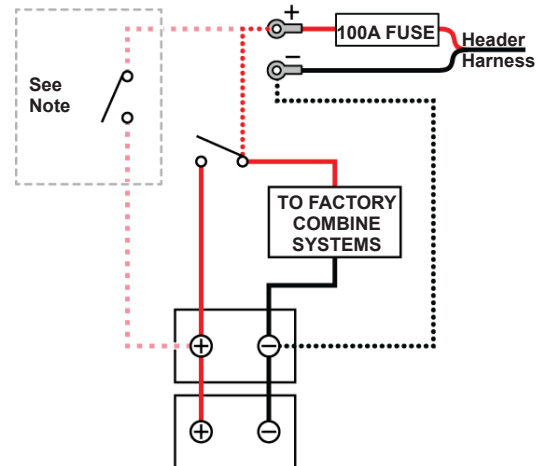
NOTE:

Older New Holland headers with 10-volt header height control require a 10 volt kit from Headsight to work with Honey Bee headers. To install, 1xINSIGHT and 1xQB0-NHCR-31C harness must be added between the header and combine adapter harness. Follow headsights' installation instructions. Contact Headsight for more information.

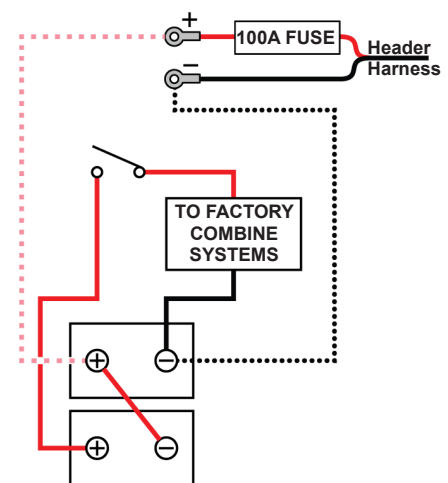
12V Negative Switched Battery System



12V Positive Switched Battery System



24V Battery System



12.6.1 - Combines Without Power Supplied Via 31 Pin Plug

CNH (New Holland and CaseIH), Rostselmash and Gleaner (S8 and Older model) combines do not supply 12v power via the 31 pin plug. 12v power must be supplied via the 12v adapter which plugs into the 12v plug in the combine cab. The adapter goes between the Automatix Lite display and the display extension cable.

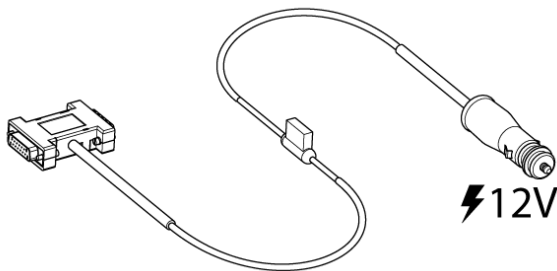


Fig. 54 - 12V adapter

12.6.2 - New Holland/CaseIH combines with 12 volt power on pin 31 of header connector

Ensure the power source can handle at least a 6 AMP load. Also if there is power coming through this pin, do not use the 12 volt cigarette lighter power harness.

12.7 - Gauge Wheels

WARNING!

Ensure the header is lowered to the ground so the gauge wheel support strap is slack, shut down the combine and engage the parking brake prior to servicing the gauge wheels.

Lower the gauge wheels from their transport position to their operational position:

1. Remove the pin holding the support strap in the transport position

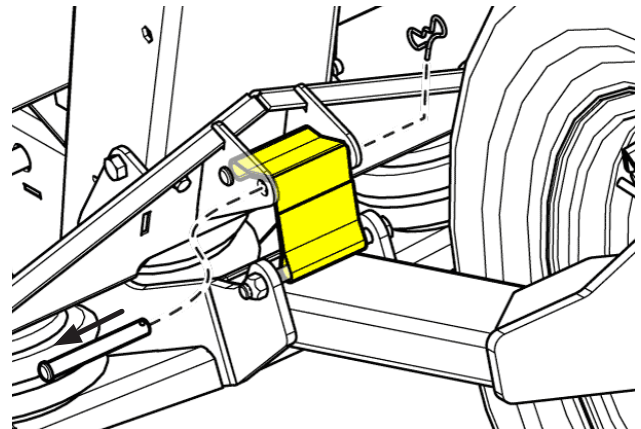


Fig. 55 - Support strap in transport position

2. Reinstall the pin once the strap has been move to the operational position.

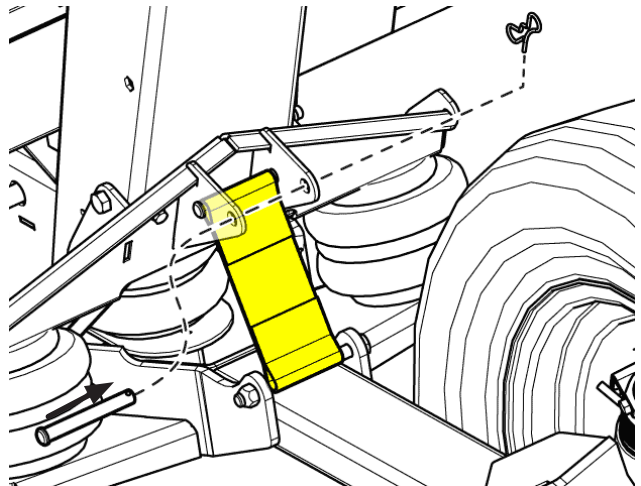


Fig. 56 - Support strap in operation position

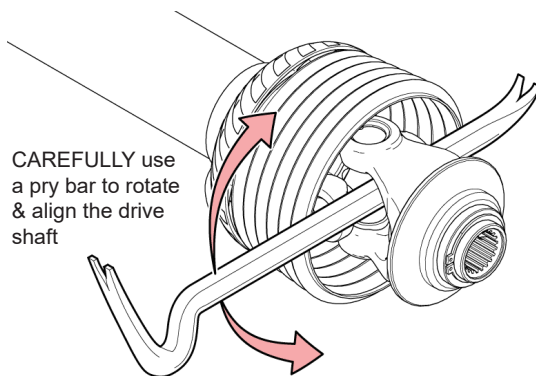
12.8 - Drive Shaft Hookup

1. Connect the telescoping drive shaft on the left side of the feeder house adapter and attach to feeder house drive shaft. Verify the quick attach collar is fully locked on drive shaft.



IMPORTANT!

A pry bar may be required to help align the drive shaft with the combine output shaft. Do not damage the grease fitting!



CAREFULLY use a pry bar to rotate & align the drive shaft

Fig. 57 - Use pry bar to align drive shaft



NOTE:

To connect the drive shaft, pull back the collar and push the drive shaft onto the shaft. It will click as the collar snaps into place.

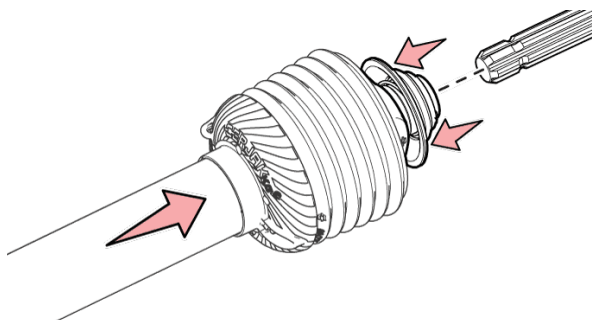


Fig. 58 - Connect drive shaft

2. Repeat these steps for the drive shaft on the right side of the feeder house.

3. Secure the drive shaft shields in place using their attached safety chains as shown below. This will prevent the shields from rotating and wearing out prematurely.

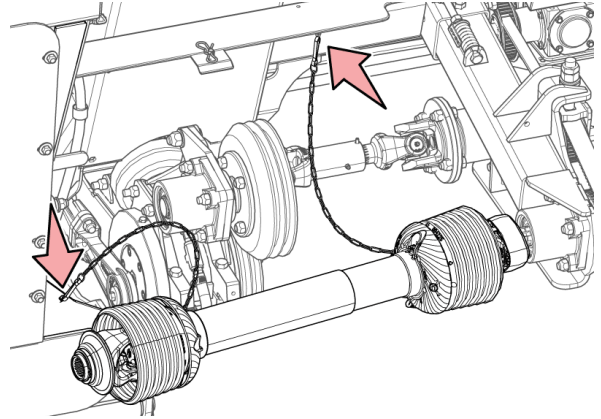


Fig. 59 - Secure drive shaft chains in place



WARNING!

Ensure drive shields are secured in place.



IMPORTANT!

Ensure the driveshaft safety chains are not too tight or too loose. If too tight, the driveshaft shield may become damaged. If too loose they will catch on rotating shafts. Alternate mount locations are available on the mount shields if needed.

12.9 - Mounting Checklist

- Combine feeder house securely connected to adapter plate on header with all locks in place.
- Electrical connection between header and combine in place.
- Hydraulic connection between header and combine in place.
- Drive shafts (PTO) connected to left and right sides of combine feeder house.
- Drive shaft covers are chained in place.
- Reel fingers in operational position.
- Optional Draw bar front axle and Transport cart removed and stored.
- Red draw bar storage bracket removed.
- All safety shields and decals in place and undamaged.
- Automatix lite display installed in combine cab.
- Automatix power harness properly connected to combine electrical supply.
- Gauge wheels in their operational position.
- Hydraulics and air lines inspected for damage or leaks.

13 - Header Setup

13.1 - Reel Setup

13.1.1 - Reel Finger Timing Adjustment

Set the reel finger timing (angle) to a position suitable for your crop conditions. Always check finger clearance after adjusting timing.

See section 16.4.1 on page 65 for details.

STOP IMPORTANT!

Make sure reel lift cylinders are properly phased and all the air is bled out of the cylinders before adjustment is made.

13.1.2 - Reel Height Adjustment (bottom limit based on finger timing)

Once finger timing has been determined, adjust the reel height via the reel height adjustment bolts. With the header in rigid mode, ensure the reel maintains a distance of 1 1/2" (3.8 cm) from the cutter bar & feather plates.

Adjust the reel arms at the ends of the table first, then adjust the center reel arm. Multiple adjustments may be required.

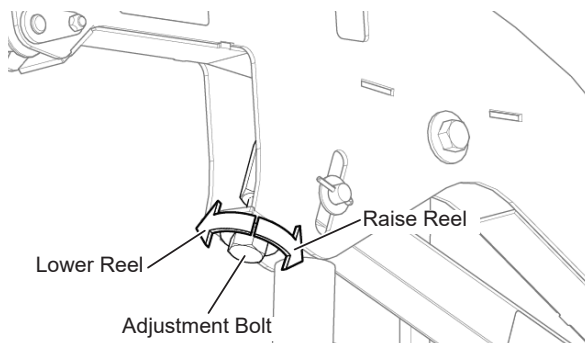


Fig. 60 - Reel Height Adjustment Bolt

To adjust the center reel arm height, release the indicated pin and adjustment lock, turn the adjustment nut to adjust the height, then re secure the lock and pin.

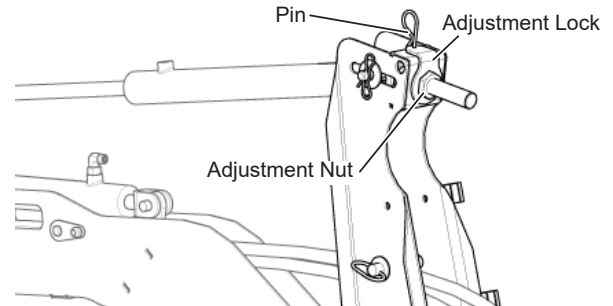


Fig. 61 - Center Reel Arm Height Adjustment

STOP IMPORTANT!

Maintain a minimum of 1 1/2" (3.8 cm) of clearance between the reel fingers and cutter bar/feather. This clearance must be set while the header is in Rigid mode.

If harvesting low or downed crops, you may reduce this clearance to 1" (3.8 cm) but will risk cutting the reel fingers in the cutter bar, this damage is not covered under warranty.

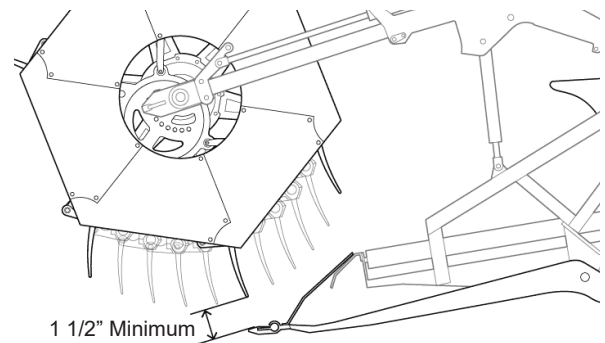


Fig. 62 - Reel Finger Clearance

13.1.3 - Reel Centering

Measure the distance between the left end of the reel and the left end of the header, then measure the distance between the right end of the reel and the right end of the header. The measurement should be equal on both ends, this ensures the reel is correctly centered on the header.

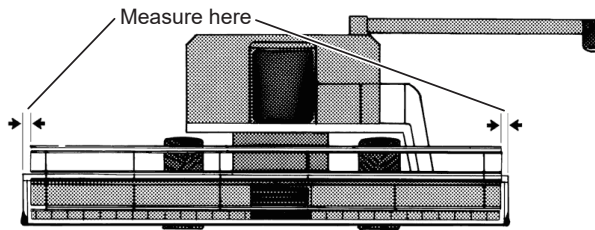


Fig. 63 - Reel centering - measurement locations

IMPORTANT!

Maintain a minimum of 1" (2.5 cm) of clearance between the end of the reel and the end of the header.

If adjustment is required:

1. Loosen the adjustment bolts on the reel arm brackets for the end reel arms and center reel arm.

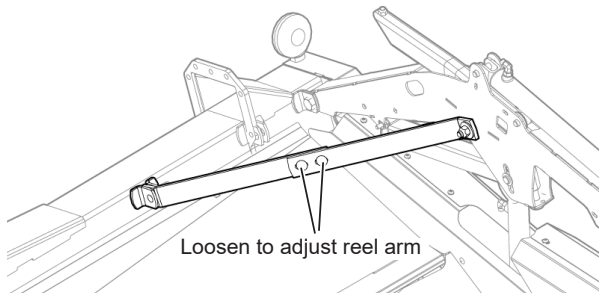


Fig. 64 - Reel centering - end reel arm bracket

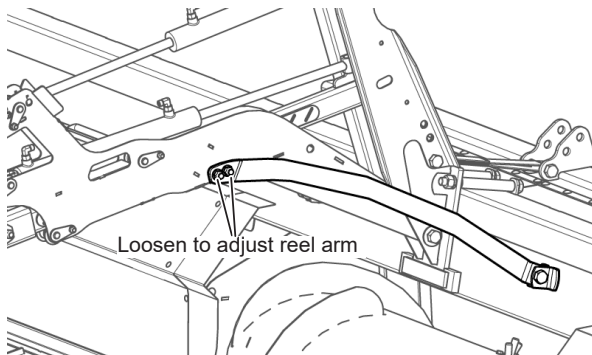


Fig. 65 - Reel centering - center reel arm bracket

2. Adjust the reel position to center it.
3. Re-tighten the bolts on the end reel arm braces
4. Once satisfied with the reel arm position, re-tighten the bolts on the center reel arm braces.

13.2 - Feed Auger Finger Timing

Adjusting finger timing is critical in achieving proper material flow from the center draper to the combine feeder house. The feed auger finger timing handle has two positions:

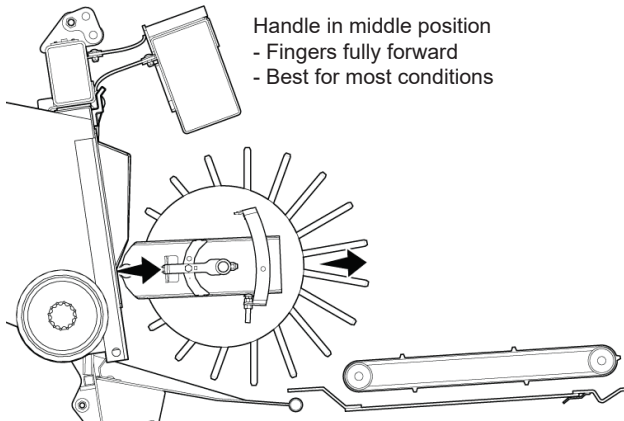


Fig. 66 - Feed auger drum fingers in middle position

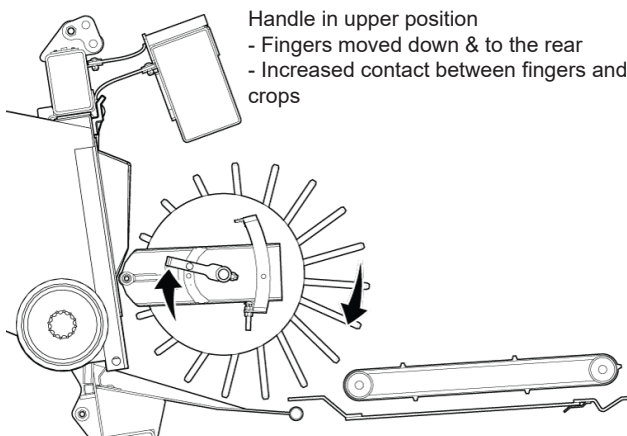


Fig. 67 - Feed auger drum fingers lowered

CAUTION!

Failure to secure the finger timing handle lock bolt will result in damaged equipment.

CAUTION!

Thoroughly check the clearance all the way around the feed auger drum.

Take special care to ensure the flighting on feed auger drum does not contact the combine feeder house.

All clearances must be re-checked after adjusting the hydraulic tilt cylinder.

IMPORTANT!

With the header and combine turned off, ensure the feed auger fingers do not contact the bottom of the upper tube by lifting the feed auger drum with a pry bar.

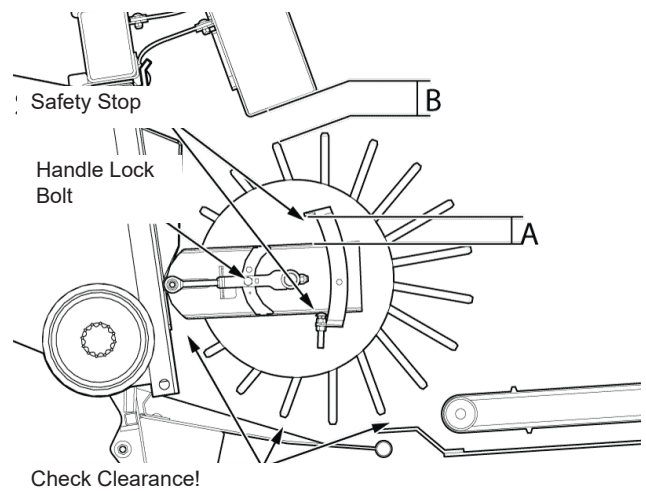


Fig. 68 - Feed Auger Drum Clearances

IMPORTANT!

The flighting of the feed auger drum should clear the face plate stripper plates by 1/2" (1.27 cm).

13.3 - Header Height Sensor Adjustment

In order for the header height system to function correctly, you must ensure the sensor voltages fall within the correct range for the selected cutting mode:

- **In FLEX mode:** With the header air system pressurized to approximately 30 psi, the sensor voltages should range between 1.5 and 3.5 volts through the cutter bar full range of motion. See section 17.5 on page 80.
- **In RIGID Mode:** With the header air system pressurized to the appropriate value for your header width (see section 16.7.1 on page 70), the sensor voltages should range between 1.5 and 3.4 volts through the subframe sensor full range of motion. See section 17.6 on page 80.

If the sensor voltages do not match the values listed above. For adjusting the header height sensors, see section 19.16 on page 123.

13.4 - Check for Problems

Run platform for a few minutes.



WARNING!

Shut OFF engine, set parking brake, and remove the key before exiting the cab.

Check for overheating bearings and gearbox leaks.

Inspect in and around the drapers for foreign objects that may have been dislodged while running the header.

13.5 - Optional Components

13.5.1 - Hydraulic Skid Shoes

The optional hydraulic skid shoes are used to create a higher cut height while operating in FLEX mode. Increase air pressure to 50-60 psi when operating with hydraulic skid shoes.

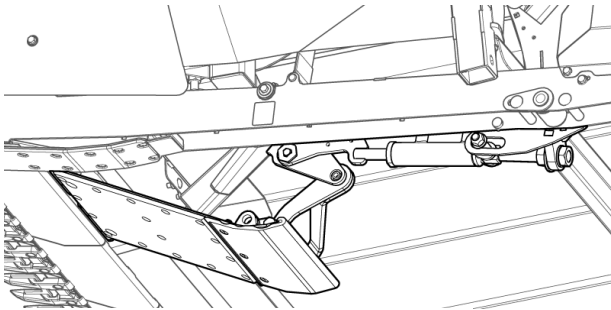


Fig. 69 - Hydraulic skid shoe

The further down the skid shoes are adjusted the higher the cut height while operating in FLEX mode. The position of the skid shoes can be monitored via the gauge located on the rear left side of the header as shown below.

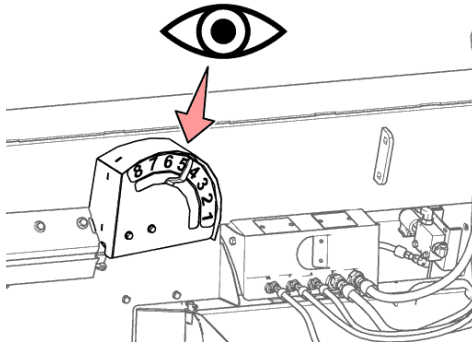


Fig. 70 - Skid shoe position gauge

Select the skid shoe mode on the automatix display (or via the foot switch) in order to adjust skid shoe angle using the reel fore/aft controls.

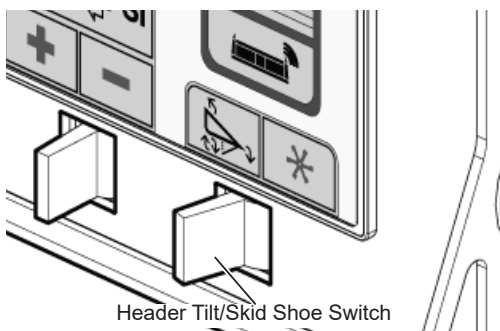


Fig. 71 - Select skid shoe mode

13.5.2 - Terrace Kit

If equipped, the terrace kit is typically installed on headers used for harvesting soybeans and when operating on terraced fields.

This kit includes:

- UHMW guides along the bottom of the cutter bar which protect the transition plate from damage (these can be purchased separately from the skis).
- End paddle skis which prevent the end paddles from being pushed around by crop material.

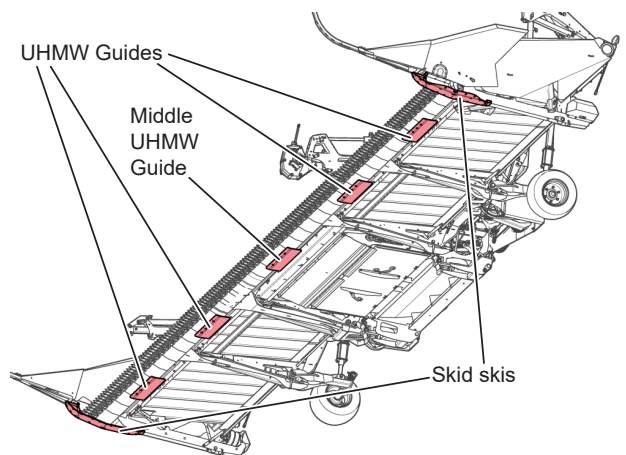


Fig. 72 - Terrace Kit

If desired, this kit can also be purchased with ONLY the end paddle skis.

IMPORTANT!

When the terrace kit is installed, the floating crop dividers must be locked up. Allowing the dividers to float up and down will result in equipment damage when used in conjunction with the terrace kit.

NOTE:

The middle UHMW guide is not installed from the factory as the center reinforcement plate is installed on all headers. Remove the reinforcement plate and install the center UHMW guide if you want more FLEX in the center cutterbar.

13.5.3 - Cross Auger

The optional cross auger should be adjusted so the flighting engages the crop to help move it towards the feeder deck opening.

The adjustment jacks are used to change how far the cross auger is extended. The lock bolts can be loosened to allow the angle of the cross auger to be adjusted. Always tighten the lock bolts after adjustment.

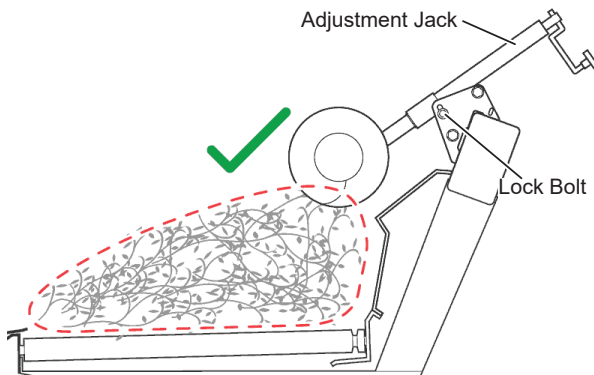


Fig. 73 - Adjust hold-down clearance to cutting section

- Keep a minimum of 3/4" of space between the cross auger and back panel to avoid contact.
- Keep the cross auger close enough to the back panel to avoid crop wrapping, caused by overextending or over adjusting the cross auger angle.

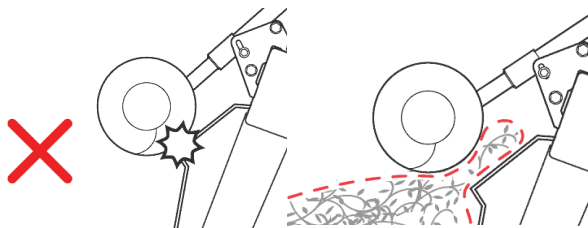


Fig. 74 - Cross auger impacting back panel

Fig. 75 - Crop wrapping around cross auger

- Ensure the center reel arm braces do not contact the cross auger.

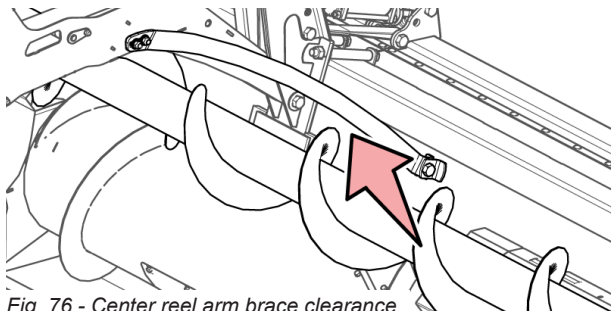


Fig. 76 - Center reel arm brace clearance

The speed of the cross auger can be adjusted via the flow control located on side of the hydraulic manifold as shown below. There is a mechanical limiter to the flow control limiting the range from 1-4, with 1 being the slowest and 4 being the fastest.

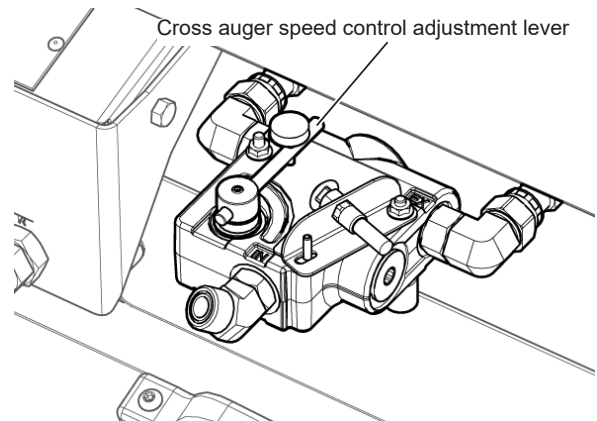


Fig. 77 - Cross auger flow/speed control

WARNING!

Do not bypass the mechanical speed limiter. Setting a speed higher than 4 can result in equipment damage or injury.

13.5.4 - Transport cart

The transport cart is used to transport your header without the need for a special trailer. Honey Bee offers a braked and non-braked version of the cart (see section 21 on page 139).

IMPORTANT!

Be aware of all local laws and regulations before transporting your equipment.

13.5.5 - Vertical Shear

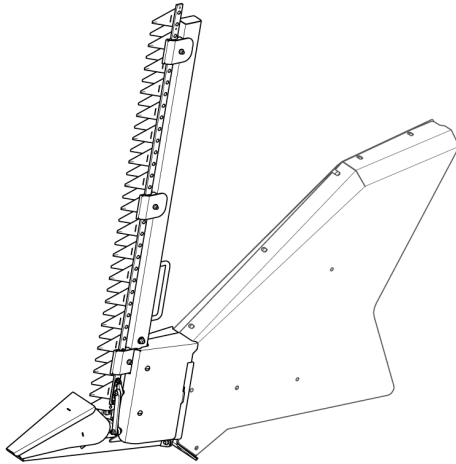


Fig. 78 - Vertical Shear

When harvesting lodged or tangled crops such as canola or peas, the vertical shear system cuts the crops at each end of the header to prevent tangling and increase harvest speed.

When not using the vertical shears, please remove the drive heads (see illustration below). Leaving the vertical shear drive heads installed while operating in FLEX mode and cutting on the ground can result in damage to the drive heads.

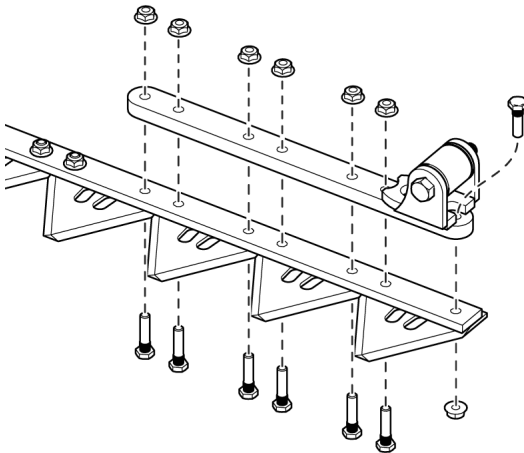


Fig. 79 - Vertical Shear

13.5.6 - Vertical Shear Maintenance

Once a year:

- Inspect all drive bushings (8 bushings) to make sure they are not worn out. Replace any loose or worn-out bushings.
- Inspect the guide blocks along the knife to ensure they exert a slight pressure against the knives to keep them together. Too much pressure causes excess wear, not enough pressure negatively impacts cutting performance. Pressure can be adjusted via the adjustment bolts (A). Replace any overly-worn or damaged guide blocks.
- Check the cutting sections for excess wear or damage (See section 19.9.9 on page 117). Replace as needed.

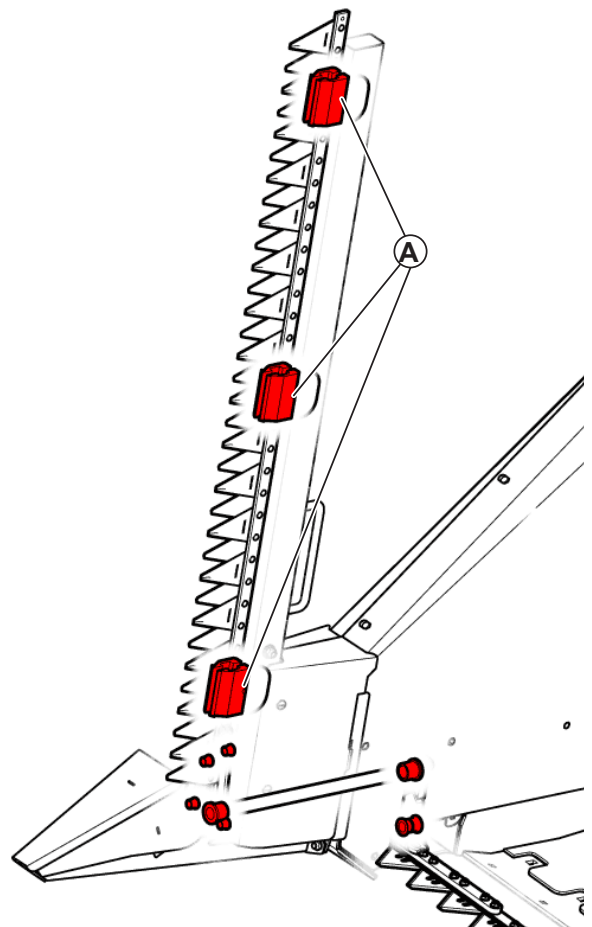


Fig. 80 - Vertical shear maintenance locations.

13.5.7 - Vertical Shear Installation

WARNING!

The vertical shears are heavy and have sharp knife sections on them. Please take care with lifting, handling and installing vertical shears on header. If header is attached to combine please make sure combine is shut off and all rotating elements have stopped before installing. Use cut resistant gloves when handling the shears and steel toe shoes/boots.

NOTE:

Only the left end of the header is shown in illustrations in this section, but all steps must be followed for the right end of the header as well.

Tools required:

- Screwdriver
- 10mm Wrench/Ratchet.
- Red 271 Loctite or equivalent thread locking compound.

1. Remove the crop dividers from the front of the header.

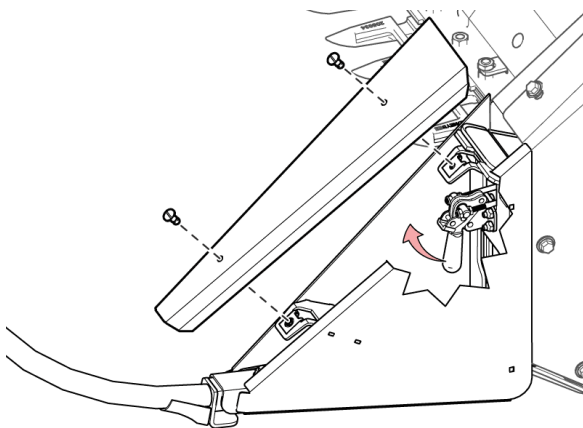


Fig. 81 - Remove dividers

2. Store the dividers on their storage brackets on the rear of the header.

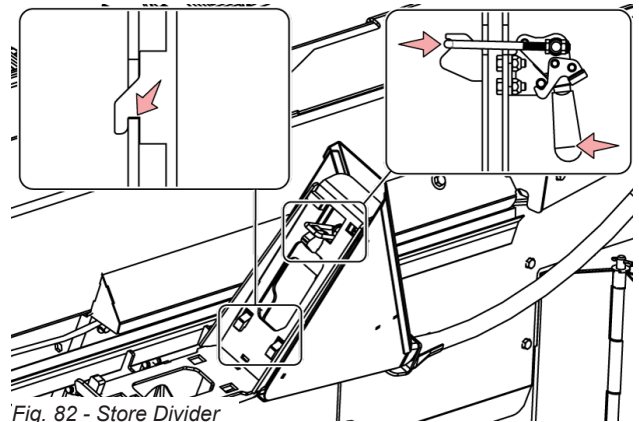


Fig. 82 - Store Divider

3. Install the vertical shear knife heads on the left and right ends of the header using M6x25mm bolts and the nuts from the cutter bar. Use loctite on the nuts and bolts.

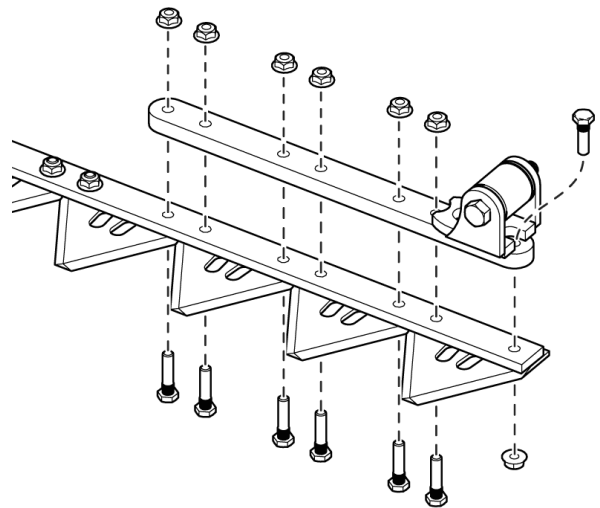


Fig. 83 - Install vertical shear knife head

- Torque the bolt on each knife head to 21ft-lb and ensure the plastic bushing spins while the bolt does not.

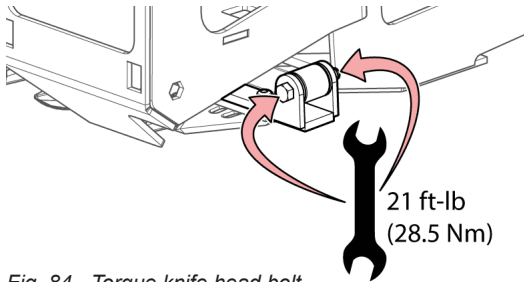


Fig. 84 - Torque knife head bolt

- Remove the access panel on the side of the vertical shear assembly, release the lock handle, then carefully remove the assembly from its storage bracket.

! WARNING!

The vertical shears are heavy and have sharp sections on them. Take care with lifting, handling and installing vertical shears on header. Wear heavy gloves when handling the sharp sections. Ensure the vertical shear knife guard is in place prior to handling.

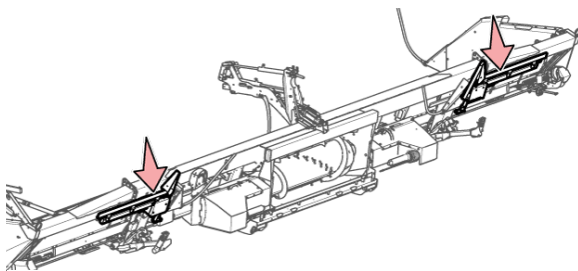


Fig. 85 - Vertical shear storage location

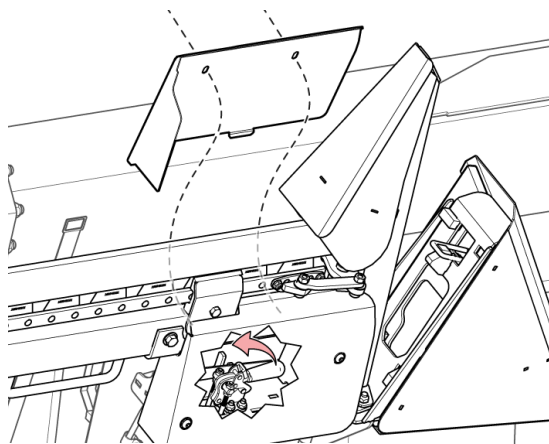


Fig. 86 - Remove Vertical Shear Assembly

- With two people lifting the vertical shear assembly, align the two lower tabs with the square holes and the handle tip with its opening then slide the assembly into place.

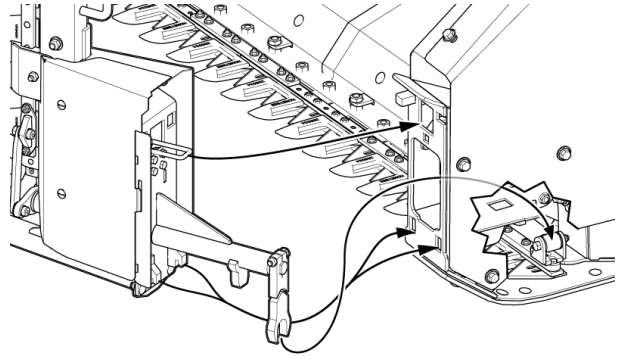


Fig. 87 - Mount the vertical shear assembly

- Open the side panel of each vertical shear assembly and engage the lock handle as shown below. Reinstall the side panels.

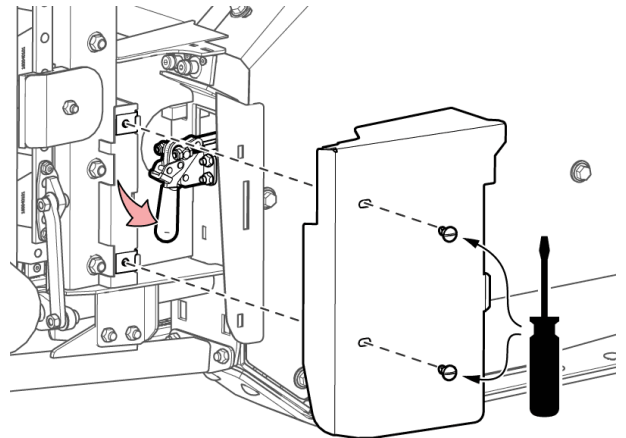


Fig. 88 - Engage lock handle

- Ensure the tab fits into the stop plate and the actuator arm fits over the plastic bushing on the knife head.

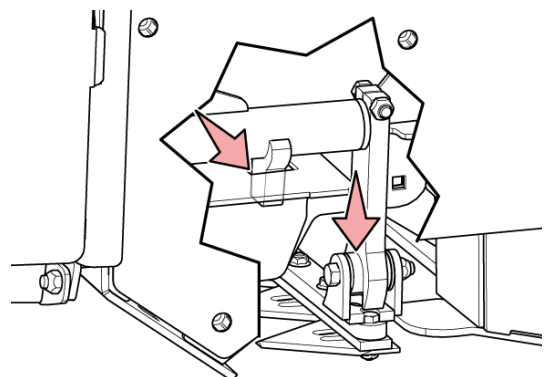


Fig. 89 - Align vertical shear knife assembly

9. Remove each vertical shear knife guard and install it on its storage location on the vertical shear storage bracket. Secure them with their velcro straps.

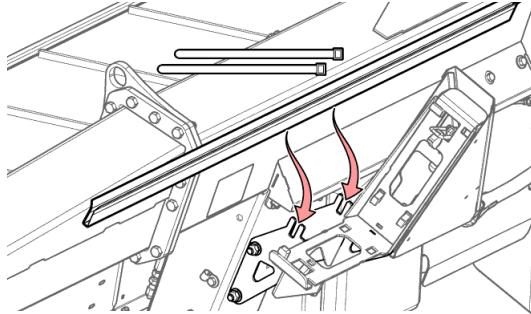


Fig. 90 - Store vertical shear knife guard

13.5.8 - Storing the Vertical Shear

To store the vertical shear, simply reverse the steps from the previous section. Secure the vertical shear assemblies to their storage brackets. Ensure the knife guard is secured in place.

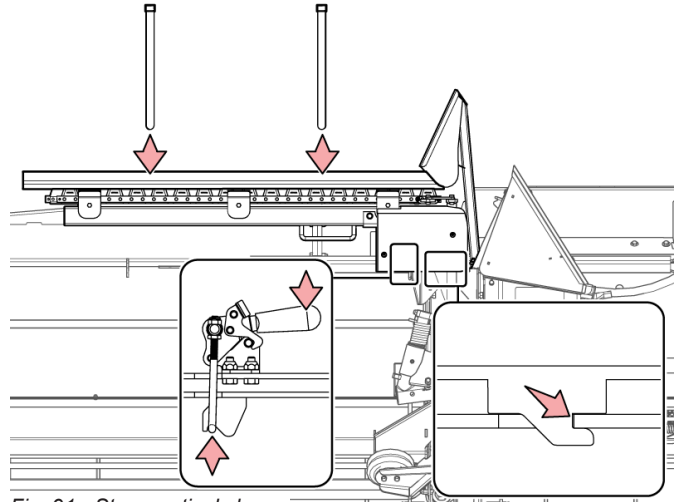


Fig. 91 - Store vertical shear

Do not operate the header with the vertical shear in its storage bracket if it extends past the edge of the header. Find an alternate storage location instead.

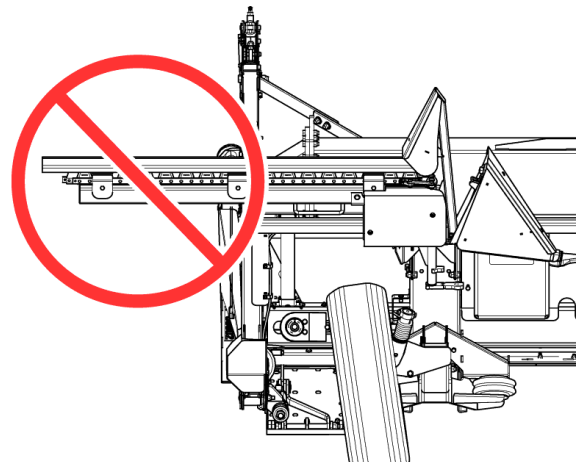


Fig. 92 - Do not operate header with vertical shear extending past the edge

WARNING!

Operating the header with the vertical shear extending past the edge of the header can result in equipment damage or injury to bystanders

14 - Daily Inspection

14.1 - Safety & Protective Shields

Check all safety shields and ensure they are securely in place. Tighten all loose hardware. Clean out all crop debris.

14.2 - Dividers

Crop dividers must be properly installed. The crop divider tips must be installed on the dividers.

WARNING!

Crop dividers are heavy! To avoid strain or back injury, use lifting aids and proper lifting technique when moving the dividers.

14.3 - Air Hoses

Inspect air hoses, air fittings, and air bags for damage or leaks (see section 19.18 on page 126).

- The air tank is located to the left of the feeder house area.
- There is an air bag located at the rear of each strut, the rear left/right corners of the subframe and two air bags on each gauge wheel.

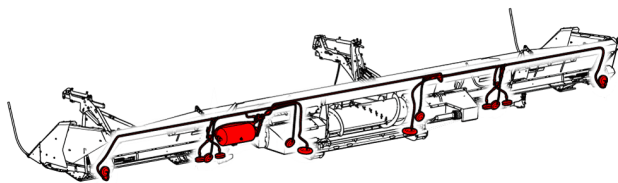


Fig. 93 - Air System

14.4 - Knife Guards & Sections

Inspect the cutter bar. Replace broken guards and cutting sections.

14.5 - Header Height Control Sensors

Inspect and adjust the header height sensor bar as outlined in section 19.16 on page 123.

14.6 - Feed Auger

Ensure the finger timing on the feed auger drum is set to best handle the crop you are harvesting.

In most situations, you want both the drum and fingers in their fully forward position (without contacting anything). Ensure there is enough clearance around the feed auger. See Fig. 68 on page 47.

14.7 - Drapers

Ensure that all drapers are tensioned and aligned. Make sure the tension handle for each draper is in the correct position.

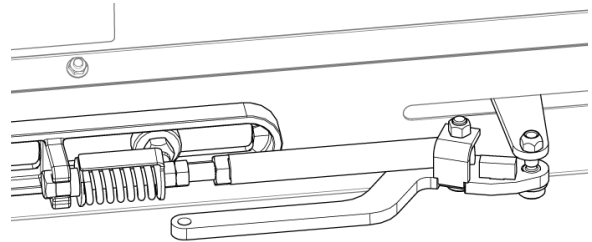


Fig. 94 - Draper Tension Handle Correct Position

14.8 - Belts

Ensure drive belts are properly aligned and tensioned. See section 19.5 on page 91. Clear the belts of all debris & material buildup.

14.9 - Lubrication

The knife heads must be greased via their grease fitting every 10 hours of operation, it is recommend that you apply grease every day prior to operating the equipment. See section 19.22 on page 133.

This page intentionally left blank

15 - Combine Calibration

Combine calibration must be performed every time the header cutting mode is changed (FLEX and RIGID mode)

NOTE:

Do not use header float (accumulator) functions with the header unless otherwise instructed.

IMPORTANT!

Adjusting tilt and height settings may deactivate automatic functions. Auto header height may need to be reactivated on some combines that don't allow manual adjustments while header height is engaged.

15.1 - Check Header Height Sensor Tabs

With the header in RIGID mode and pressurized to 100psi, check the header height sensor tabs to ensure they are in the proper positions. See section 19.16 on page 123.

15.2 - Verify Header Height Sensor Voltage

Ensure the header height sensor voltages fall within the range outlined in section 17.5 on page 80. If necessary, adjust the sensor positions as outlined in section 19.16.2 on page 124.

15.3 - Combine Feeder House Speed

IMPORTANT!

Machines equipped with a variable-belt drive feeder house are designed for use with a corn head or row-crop head. If the knife speed exceeds 620 RPM can cause vibration and premature failure of driveline and cutterbar parts.

If your combine feeder house is configured to run at multiple speeds, ensure it is set to run at the 'Grain' speed.

Combine	Required Feeder House Output RPM	Knife Speed (RPM)
New Holland/CaseIH	565-575	595-605
CaseIH X130 to X150 Mid-Range Series	575-625	605-615 (NOTE: Switching of sprocket on knife drive may be required)
CaseIH 2100-2500 Series	540	592
Claas	760-770	603-611
Fendt Ideal/Gleaner/Massey Ferguson/Challenger	610-660	575-610
John Deere S/T Series	490	602
John Deere 50/60/70 Series	520	612
Rostselmash	528	579

IMPORTANT!

Do not exceed recommended RPM or knife drive failure may occur.

The feeder house output speed can be manually measured with a tachometer for troubleshooting purposes, but extreme caution must be taken as this measurement must be made with the header running and some protective shields removed.

⚠ DANGER!

Rotating parts can cause extreme entanglement injury or death. Keep extremities, clothing, jewelry and hair away from rotating parts. Take extreme caution when working near rotating parts. Keep bystanders away and engage the parking brake before exiting the cab.

To measure the feeder house RPM, with the combine and header running, open the shield shown below and measure the rpm with the tachometer via the shaft indicated by the arrow below.

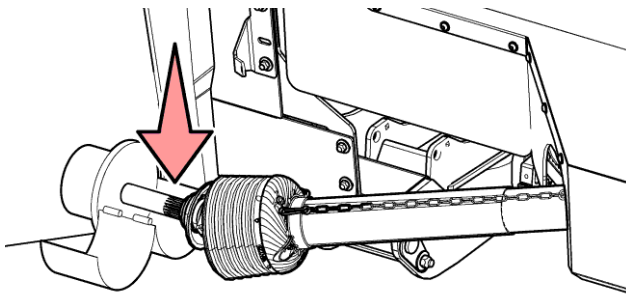


Fig. 95 - Feeder house speed

15.4 - Combine Feeder House Angle

The Combine Feeder House must be tilted at a specific angle for optimal header operation. To set proper operation angle.

1. Set the header to FLEX mode and lower the air pressure until 30psi is reached.
2. Fully retract the hydraulic tilt cylinder and hydraulic skid shoes (if installed).
3. Lower the table until the cutter bar is fully pushed up.

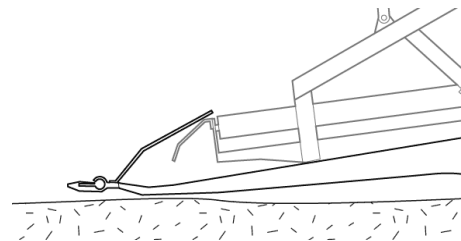
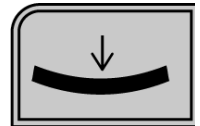


Fig. 96 - Cutterbar pushed up

STOP IMPORTANT!

Do not lower the header too far. This will result in the entire table tilting backward and may damage the header.

4. Slowly raise the header until 2.00 volts (8 bars) show on the sensor bar graph on the Automatix Lite display.

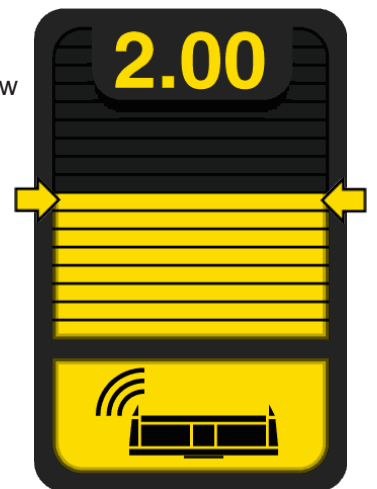


Fig. 101 - 2.0 V - 8 Bars

NOTE:

The arrows indicate the correct height set point for flex mode.

NOTE:

If you have a New Holland combine with a 10 volt Header Height control system please contact the Service/Parts department for additional parts/support

WARNING!

Shut OFF engine, set parking brake, and remove the key before exiting the cab.

5. Measure down to the ground from the pivot point of the paddle. There should be an 6-7" (15.4 - 17.8 cm) space when at the optimal feeder house angle.
 - If the paddle 'heel' is more than 6-7" (15.2 - 17.8 cm) above the ground, the feeder house is tilted too far forward and the cutter bar guards will dig into the ground.
 - If the paddle 'heel' is less than 6-7" (15.4 - 17.8 cm) above the ground, the feeder house is not tilted forward enough and the rear of the paddle will drag on the ground.

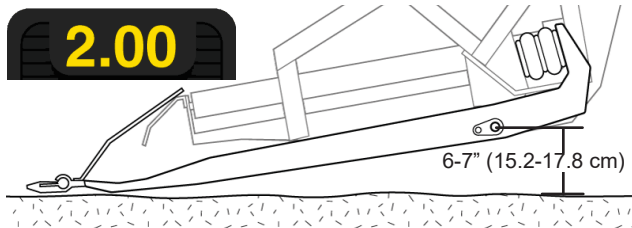


Fig. 97 - Optimal Feeder House Angle

6. Adjust the feeder house angle as necessary and re-test the angle as outlined in the previous steps. Tilt can be adjusted to suit ground conditions and habits of the operator.

15.5 - Float

For all combine makes except for New Holland and CaseIH, float interferes with proper automatic header height functionality and should be disabled on the combine (accumulators turned off).

Refer to your combine manual to see if your combine has the float option.

STOP IMPORTANT!

Combine float systems will actively interfere with the auto header height control system. Disable the combine float system prior to operating the header or damage to your equipment may result.

15.5.1 - CaseIH Pressure Float Override

Pressure float override momentarily turns on float when there is upward pressure on the bottom of the cutter bar. The value should be set approximately 50-60%. This can protect the cutter bar from being bent if the header height is not reacting quickly enough to terrain changes.

15.5.2 - New Holland Press. Override Threshold

The pressure override threshold should be set to the upper end of its range to about 250-300 PSI. If the auto header height control disengages unexpectedly, the override threshold can be raised even higher.

NOTE:

Do not use header float (accumulator) functions with the AirFLEX. The only known exception is Gleaner combines, where some accumulator float can be used after all calibrations are complete (~25% on).

15.6 - Combine Calibration Position

It may be useful to park the combine over a ditch in order to allow a larger space below the header. This will allow the header to go through its full range of motion.

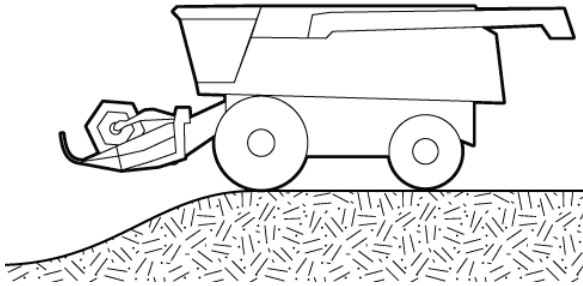


Fig. 98 - 2.0 V - 8 Bars

15.7 - Hydraulic Header Raise and Drop Rates

Raise Rate: Set your combine raise rate so it takes 5 seconds to lift the header from the lowest position to the highest position.

Drop Rate: Set your combine drop rate so it takes 7 seconds to lower the header from the highest position to the lowest position.

15.8 - Combine Header Height Calibration - FLEX Mode

- Ensure the header is tilted all the way back, with both gauge wheel isolation valves set to the open position.

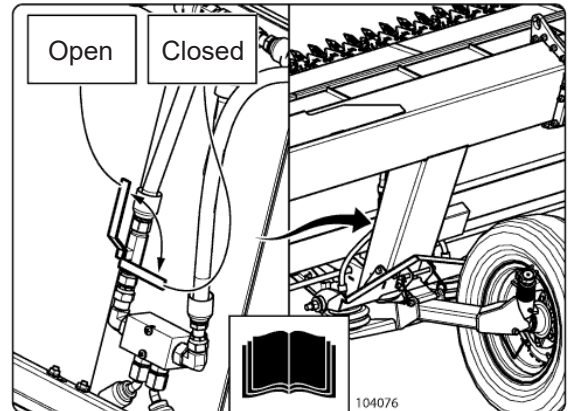


Fig. 99 - Gauge wheel isolation valve

- Make sure the header lateral tilt is level and the header and combine are sitting on a level surface.
- While the header is in FLEX mode, and pressurized to approximately 30psi, calibrate your combine header height via the combine controls. Please refer to your combine operator manual for information on where these settings can be changed.
- The optional hydraulic skid shoes must be fully retracted when calibrating the header.

15.9 - Combine Header Height Calibration – RIGID Mode (Subframe Sensors)

- Make sure the header lateral tilt is level and the header and combine are sitting on a level surface.
- Ensure the tilt cylinder is fully retracted.
- Ensure skid shoes are retracted.
- Raise the header off the ground and ensure the air system is pressured to the header size specific value shown on the table below.

Header Size	Recommended PSI
25ft	90 PSI
30ft	95 PSI
36ft	100 PSI
40ft	105 PSI
45ft	110 PSI
50ft	115 PSI
60ft	125 PSI

- Ensure the gauge wheel isolation valves are set to the closed position.

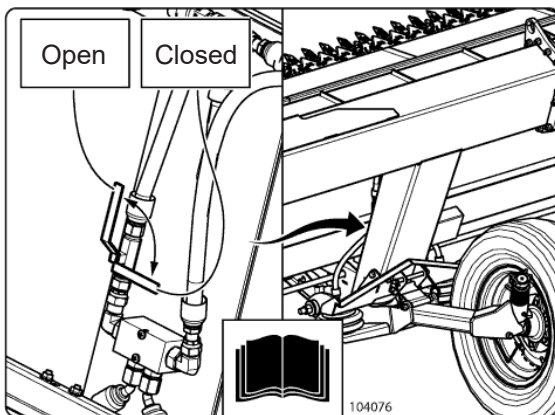


Fig. 100 - Gauge wheel isolation valve

- Calibrate your combine header height via the combine controls. Please refer to your combine operator manual for information on where these settings can be changed.

15.10 - Combine Header Height/Tilt Sensitivity

1. When first calibrating the header, slowly increase your header height sensitivity via the combine controls until the header starts hunting up and down.
2. Decrease the sensitivity by 10-20% until the header stops hunting.
3. When set properly, the header should not hunt when it is standing still.
4. Repeat these steps for header tilt sensitivity.

15.11 - Combine Calibration Validation

After combine calibration is performed for any sensing mode, test that the combine is sensing and working properly.

1. Make sure the combine and header are running and at full idle.
2. Set a cutting height via the combine controls (please refer to section 16.5 through 16.6 on how to set cut height for each mode).
3. Lift the header straight up to the top and hit resume. Watch for correct and accurate positioning to setpoint. Once this is confirmed working, then:
4. Lift the header all the way up and TILT it over fully to one side and hit resume. Watch that low side stops pushing down and header levels off before going to final setpoint. If this is working then you are good to go.

15.12 - Other Combine Settings

Ensure all other combine settings (as outlined in your combine operator manual) are properly configured before harvesting.

This page intentionally left blank

16 - Operation

STOP IMPORTANT!

When cutting close to the ground, it is important to avoid over-lowering the combine feeder house as this may drive the cutterbar and center draper pan into the ground, causing damage.

STOP IMPORTANT!

The header is designed to work with Automatic Header Height Control engaged. Do not disengage Automatic Header Height Control when operating the header or damage to your equipment will result.

STOP IMPORTANT!

When operating the header, it is **EXTREMELY important to grease the knife head bearings every 10 hours** (or every day of operation). Failure to grease regularly will drastically shorten the lifespan of the knife head bearings. We recommend you use appropriate grease types, see section 19.22 on page 133.

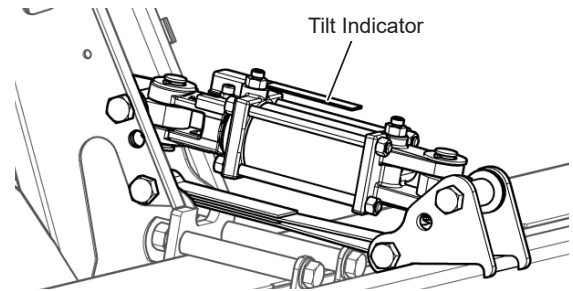


Fig. 103 - Hydraulic Tilt Cylinder & Indicator

STOP IMPORTANT!

Return the switch to the reel height position when finished tilting the header in order to prevent power drain from the tilt valve. Leaving tilt mode selected will drain the combines battery even when the combine is powered off.

16.2 - Knife, Feed Auger Drum and Draper Speed.

On the header, the knife, feed auger drum and draper speeds are directly linked to the combine feeder house pto speed .

16.1 - Hydraulic Header Tilt

The header can be tilted forward or back using the hydraulic tilt cylinder.

Header tilt is controlled by first selecting the header tilt option on the automatix lite control panel, then using the combine reel lift/lower controls to tilt the header.

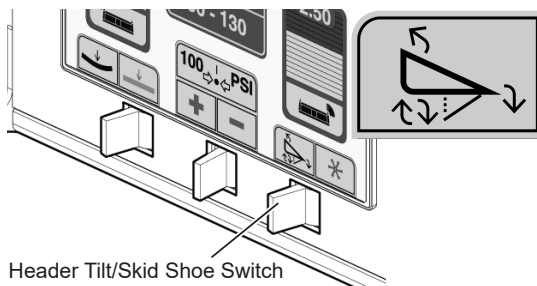


Fig. 102 - Activate Header Tilt mode

16.3 - Optional Hydraulically Adjustable Skid Shoes

Hydraulically adjustable skid shoes are used in FLEX mode only. In FLEX mode, set your cutting height setpoint to 2.0 volts then adjust the hydraulic skid shoes via the combine reel fore/aft controls. You can adjust your cut height between cutting directly on the ground and up to roughly 8" of cut height by changing the skid shoe angle.

Hydraulic skid shoe height is controlled by first selecting the skid shoe option on the automatix lite control panel, then using the combine reel fore/aft controls to adjust the skid shoes.

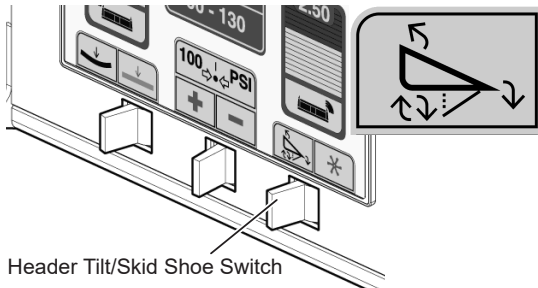


Fig. 104 - Activate skid shoe mode

You can also use the provided momentary foot switch (instead of using the switch on the display) to enable skid shoe adjustment via the combine fore/aft controls.

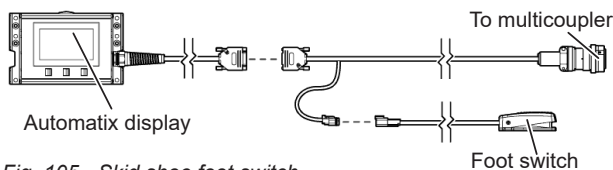


Fig. 105 - Skid shoe foot switch

The skid shoe height gauge is located to the upper tube of the header frame to the left of the subframe. You can monitor the skid shoe position by watching the gauge.

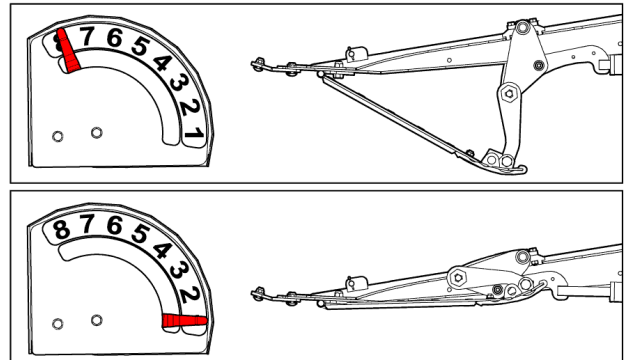


Fig. 106 - Skid shoe height gauge

STOP IMPORTANT!

Clean the skid shoes daily in order to prevent material buildup which can restrict the skid shoe range of movement.

16.4 - Reel Settings & Controls

The reel on the header is designed to assist in separating cut crops from uncut crops then sweep them across the feather plates between the knife and the drapers in order to obtain a steady flow.

Reel configuration is extremely important for optimal header performance. The order of importance of these settings are:

- Finger Pitch
- Fore-Aft position
- Reel Height
- Reel Speed

NOTE:

For reel adjustment information see section 19.8 on page 106.

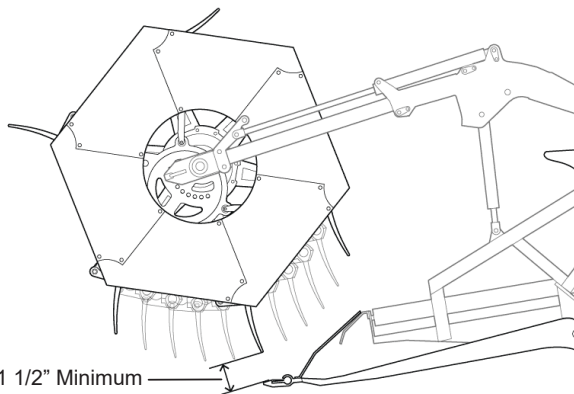


Fig. 107 - Reel Finger Clearance

16.4.1 - Finger Pickup Settings (Pitch)

Start by adjusting the finger pitch so fingers are perpendicular to the cutter bar.

For crops that are down or lodged, adjust fingers to be more aggressive, lifting the crop and dropping it onto the draper decks.

If the crop starts to wrap around reel, this indicates the need to adjust the fingers to a less aggressive setting and/or finger spacing (2 1/2", 5" or mixed spacing).

Adjust the fingers to suit your individual needs and make note of the best settings for each of the crop conditions you encounter.

WARNING!

To avoid serious injury, raise reel, engage reel lift safety stops, shut OFF engine, set parking brake, and remove key before exiting the cab.

IMPORTANT!

Maintain a minimum of 1 1/2" (3.8 cm) of clearance between the tips of the reel fingers and the cutter bar/feather plates. If harvesting low or downed crops, the clearance can be reduced to 1" but will run the risk of damaging the reel fingers which is not covered under warranty.

Reel to knife clearance must be readjusted whenever finger pitch is changed.

1. Firmly grasp the handle then pull and rotate lock pin to one side so it is disengaged from reel.

WARNING!

Failure to secure the handle when pulling the pin will result in the reel bats dropping suddenly.

2. Lift the handle up for less aggressive finger pitch.

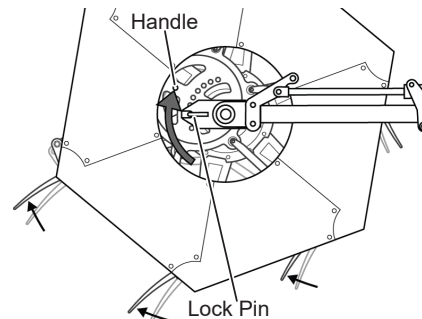


Fig. 108 - Less Aggressive Finger Pitch (HB Reel)

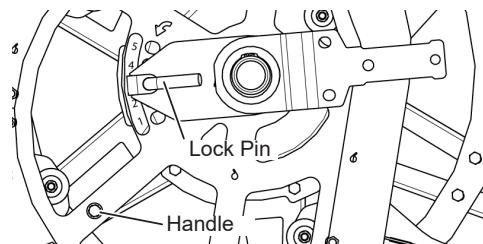


Fig. 109 - Cam Reel Adjustment

3. Lower the handle for more aggressive finger pitch.

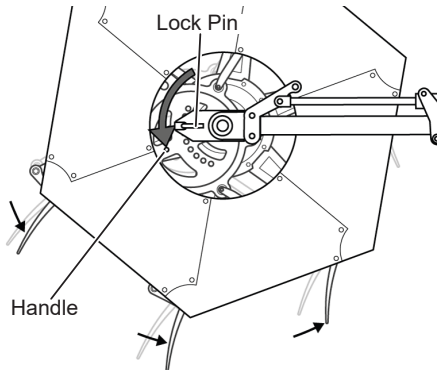


Fig. 110 - More Aggressive Finger Pitch

NOTE:

The finger pitch adjustment holes are numbered from 1 to 9, with 1 being the least aggressive setting and 9 being the most aggressive.

4. Once desired setup is obtained, re-engage the lock pin.
5. Repeat this process for the other end of the reel to ensure each side has identical finger pitch.
6. Readjust reel height and reel fore/aft in order to maintain a minimum safe knife clearance (1 1/2" (3.8 cm)).

IMPORTANT!

Reel finger to cutter bar clearance must be determined while the header is in rigid mode so the knife is in its highest position.

Setting the clearance while the header is in flex mode will result in reel finger damage.

16.4.2 - Hydraulic Reel Height and Fore/Aft Control

For general usage, the center of the reel should be positioned slightly behind the cutter bar.

For lodged or down crops, adjust reel so the center of the reel is ahead of cutter bar.

The reel height and fore/aft controls are located on the combine controls. Please see your combine operator manual for details.

Before attempting to adjust the reel height (or reel fore/aft for some combines), ensure the reel height option is selected via the Automatix Lite control panel.

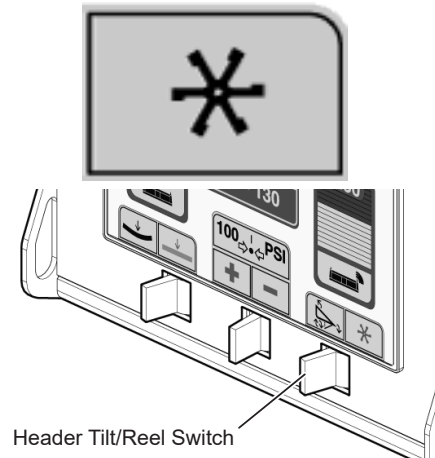


Fig. 111 - Activate Reel Height mode

For details on setting the minimum reel height, see section 19.8.6 on page 109.

IMPORTANT!

It is important that a reel clearance of 1 1/2" from the cutter bar has been set with the header in rigid mode prior to attempting to operate the hydraulic reel height and fore/aft controls, or the reel fingers may become damaged.

16.4.3 - Reel Speed

The reel speed is controlled and viewed via the combine control panel and display. Please see your combine user manual for details.

The reel speed sensor outputs 48 pulses per rotation (PPR). You may have to calibrate your combine to match this value in order to get accurate readings, see section 19.8.3 on page 106.

Set reel speed slightly faster than ground speed.

When traveling over 2 mph (3.2 km/h), the reel should move about 10% faster than ground speed.

When traveling under 2 mph (3.2 1), the reel should move about 20% faster than ground speed.

16.5 - Crop Dividers

The crop dividers are used to divide the crops at the outer ends of the header and direct them towards the cutter bar. The crop divider pipe is used in most situations.

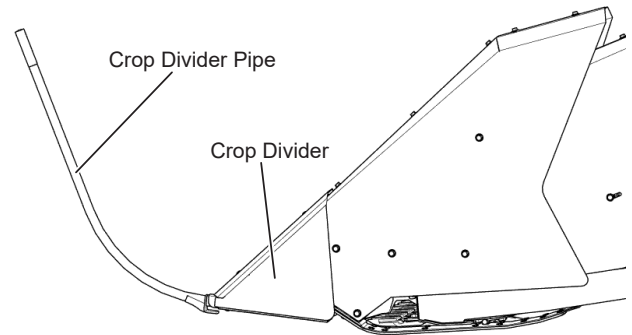


Fig. 112 - Crop Divider

16.5.1 - Crop Divider Snub Extension:

The crop divider snub extension is used primarily in Flex cutting mode when harvesting soybeans or when it is desirable to reduce divider contact with the crop.

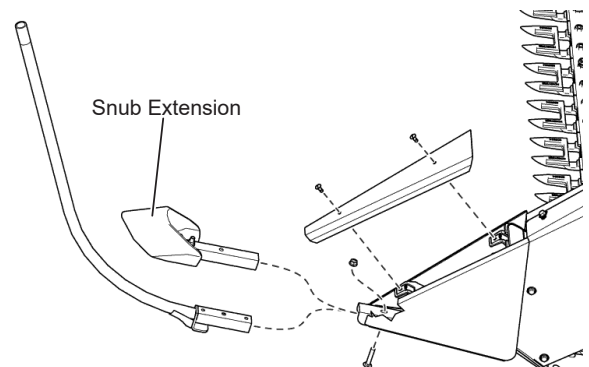


Fig. 113 - Crop Divider Snub Extension

16.6 - Operation Guidelines - FLEX mode.



IMPORTANT!

If changing cutting modes ensure combine calibration is done prior to setting setpoint. See sections 15.8 to 15.12.

When harvesting, the cutter bar flexes to follow the contour of the ground.

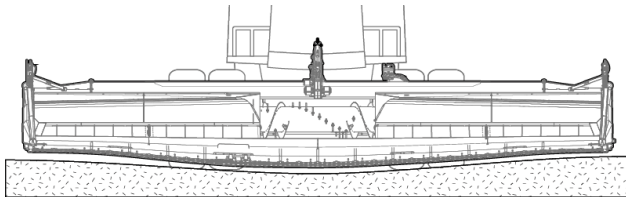


Fig. 114 - FLEX Mode

To activate FLEX mode:

1. Before activating FLEX mode, tilt header back by retracting the hydraulic tilt cylinder.



IMPORTANT!

FLEX mode should only be operated with the header tilted back.

2. Ensure the gauge wheel isolation valves are in the open position.

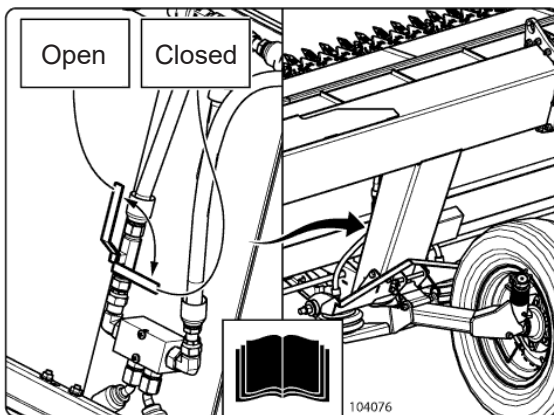


Fig. 115 - Gauge wheel isolation valve

3. Move the cutting mode sensor selection switch to the left until the FLEX icon is activated.

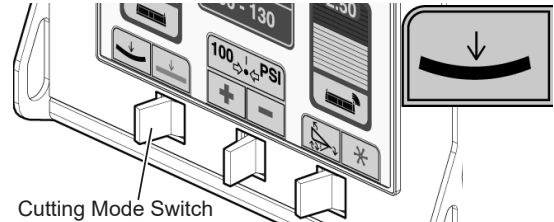


Fig. 116 - Activate FLEX mode

4. Use the air pressure switch to set the system pressure to 30-65 psi.

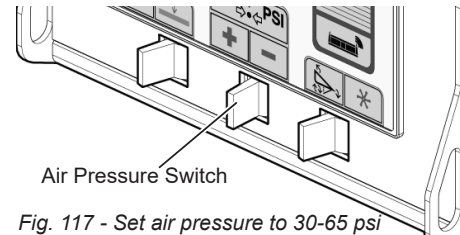


Fig. 117 - Set air pressure to 30-65 psi

5. Lower the header until the sensor bar graph shows 2.00 volts (8 bars) and set this as the cut height via the combine controls.



Fig. 120 - 2 Volts

16.6.1 - Reel settings

When using the Flex cutting mode, you generally want the reel fingers to be pitched more aggressively in order to help pick up crops. See section 19.8 on page 106.

Reel speed should be set approximately 10-20% faster than the ground speed.

Always ensure the reel fingers have enough clearance (1 1/2" (3.8 cm)) from the cutter bar & feather plates.

16.6.2 - Air Pressure Recommendation

The header air pressure should range between 30 PSI and 65 PSI.

To maximize platform performance, operate at pressures within the following recommended ranges:

- 30-40 psi for extreme conditions like Terraces.
- 40-50 psi for normal ground conditions.
- 50-60 psi for soft/sticky/wet/slow ground conditions.
- Higher than 65 psi may be needed for large headers (50ft and above) with skid shoes attached.

NOTE:

Please add an additional 10 PSI if skid shoes are installed on the cutter bar. Accessories attached to the cutter bar require additional pressure to counteract their weight.

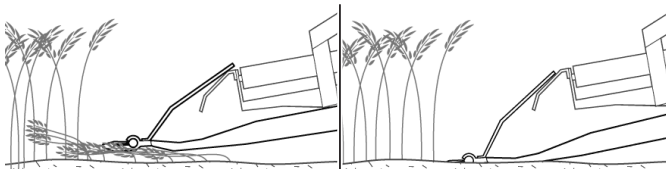


Fig. 119 - Air Pressure Too High, Riding On Top of Crop

Fig. 118 - Air Pressure Too Low, Guards Digging Ground

Adjust the weight of the cutter bar by adding or removing air pressure from the cutter bar airbags. This is done via the air pressure switch on the Automatix Lite control panel. See Fig. 117.

- The '+' position adds air, making the cutter bar lighter.
- The '-' position removes air and makes the cutter bar heavier.

Adjust as necessary to prevent the cutter bar from hanging up on the ground (normally seen on the ends).



IMPORTANT!

Pressures listed are recommendations only. Different field conditions may require higher or lower pressures than those listed.

16.6.3 - Ground speed

The header can often be run at faster ground speeds than other similar sized headers.

Adjust your speed according to the terrain, crop yield and combine capacity.

Adjust air pressure to work at operating speed and ground moisture. Wetter conditions require more pressure for a lighter cutter bar.

The speed at which the combine can raise the table in response to changes in terrain may limit ground speed.

16.6.4 - Automatix Lite Control Panel

For details on operating the Automatix Lite system, please see section 17 on page 77.

16.7 - Operating Guidelines - RIGID mode

In Rigid mode, the cutter bar is locked into a rigid structure by increasing the system air pressure to the correct value for your header width. Automatic header height control will raise or lower the header based on the input from the subframe sensors.

Rigid air pressure may need to be slightly increased to offset the weight of optional components in order to optimize header floatation



IMPORTANT!

Automatic header height control must be enabled when in Rigid mode.

16.7.1 - Recommended Air Pressure for RIGID mode

When operating your header in RIGID mode, ensure the header air system is pressurized to the appropriate value for your header width as outlined in the table below.

Header Size	Recommended PSI
25ft	90 PSI
30ft	95 PSI
36ft	100 PSI
40ft	105 PSI
45ft	110 PSI
50ft	115 PSI
60ft	125 PSI

16.7.2 - To activate RIGID mode:

1. Use the cutting mode switch on the Automatix Lite control panel to activate the RIGID mode icon.

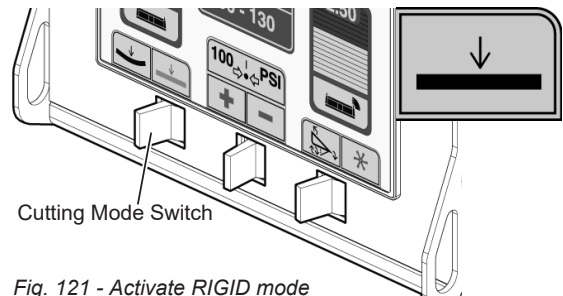


Fig. 121 - Activate RIGID mode

2. Use the air pressure switch to set the system pressure to the appropriate value for your header width (see section 16.7.1).

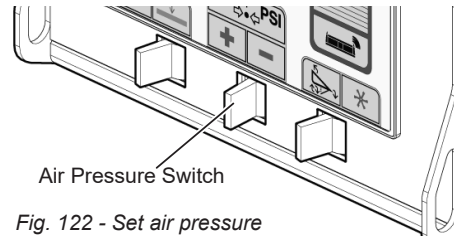


Fig. 122 - Set air pressure

3. Set the cut height set point as described on the following pages.

16.7.3 - Set Cut Height in RIGID Mode

STOP IMPORTANT!
If changing cutting modes ensure combine calibration is done prior to setting setpoint. See sections 15.8 to 15.12 for details.

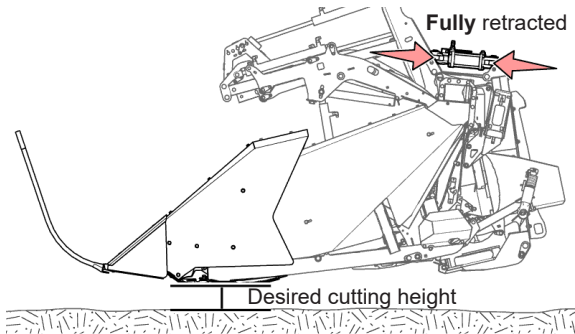


Fig. 123 - Set cutting height in RIGID mode

1. Ensure the gauge wheel safety strap is in the operational position as outlined in section 12.7 on page 42.
2. Ensure the header is tilted all the way back (tilt cylinder retracted).
3. Confirm the RIGID air pressure is set to the recommended air pressure for the header width:

Header Size	Recommended PSI
25ft	90 PSI
30ft	95 PSI
36ft	100 PSI
40ft	105 PSI
45ft	110 PSI
50ft	115 PSI
60ft	125 PSI

4. Ensure both gauge wheel isolation valves are in the closed position.

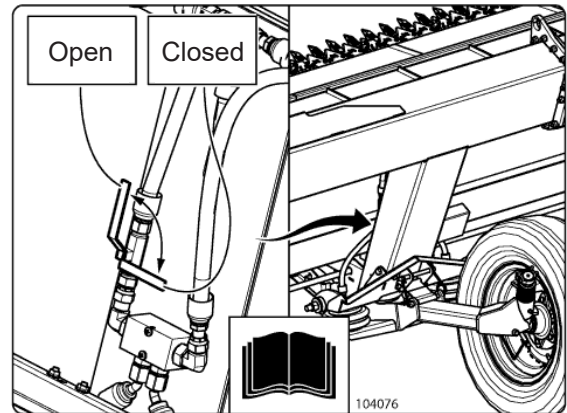


Fig. 124 - Gauge wheel isolation valve

5. Lower the header to your desired cut height and set the cut height setpoint via the combine controls. If your combine has the ability to set two or more cut height setpoints you adjust the header height and set your second cut height as well.

STOP IMPORTANT!
If header is fully lifted and combine header height resume is pushed and header does not lower or lowers very slowly then air pressure is set too high. Lower air pressure and re-test.

NOTE:
If the header is unbalanced, causing the left or right end to run lower/higher than the other end, you can adjust the subframe airbag position as described in section 19.20 on page 128.

16.7.4 - Recommended Reel settings

When using Rigid mode, the reel fingers should be pitched less aggressively in order to assist with gently pulling crops towards the cutter bar.

See section 19.8 on page 106 for details.

Reel speed should be set approximately 10-20% faster than the ground speed.

Always ensure the reel fingers have enough clearance (1 1/2" (3.8 cm)) from the cutter bar & feather plates.

16.7.5 - Recommended Ground speed

Adjust ground speed according to the terrain, crop yield and combine capacity.

16.7.6 - Automatix Lite Control Panel

Please see section 17 on page 77 for details on operating the Automatix Lite system.

16.8 - Reverse Operation

When the combine feeder house is reversed, the drapers, knife, reel, and feed auger drum run backwards to assist with unplugging.

WARNING!

Do not reverse the mechanical system until all parts have come to a complete stop. Failure to do so WILL result in damage to the header.

NOTE:

Not all combines have the ability to reverse the reel.

16.9 - Feed Auger Drum Settings

Set the feeder house finger adjustment plate to the middle position (fingers extended fully forward).

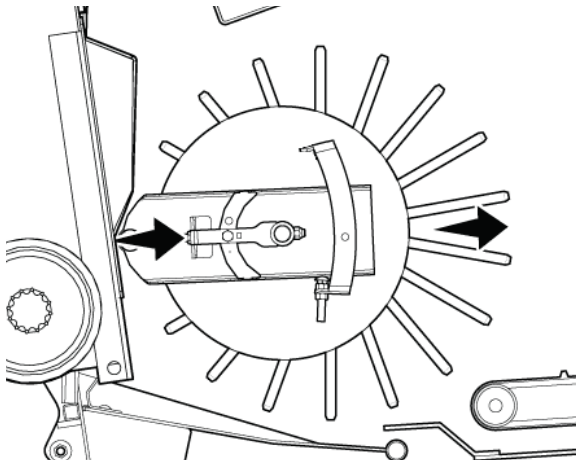


Fig. 125 - Feed auger fingers fully forward

For details on adjusting the feed auger, see section 13.2 on page 52.

16.10 - Combine Header Height Settings

When setting the Header Height sensitivity, increase the value until the header starts hunting then back off 10-20% for both lift and lateral tilt.

- Raise Rate: 5 seconds (bottom to top)
- Drop Rate: 7 seconds (top to bottom)

Ensure the Header Height system is calibrated on the header first, then on the Combine.

16.11 - Blue LED Air Compressor Indicator Lamp

There is a blue LED indicator mounted on the panel above the air tank (left side of subframe). This LED will light up when the air compressor is running.

16.12 - General Crop Specific Productivity

Harvesting Standing Cereal Crop

Harvest in **RIGID** cutting mode. Lower platform until cutterbar cuts below lowest grain heads or pods. For maximum combine efficiency, take in only as much crop material as necessary. Position the reel above the cutterbar & feather plates. Raise/lower the reel until the bats pull the crop toward the cutter bar and the fingers comb the cut crop across the feather plates.

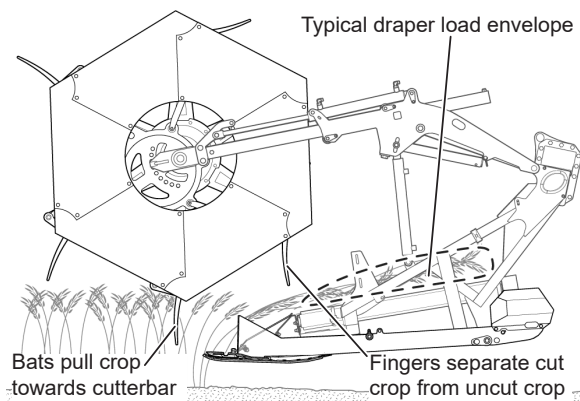


Fig. 126 - Optimal Cereal Harvesting

Harvesting Pulse Crops

Harvest in **FLEX** mode. Set the reel fingers to a more aggressive pitch. Position the reel in front of the cutter bar. Raise/lower the reel until the fingers lift the crop toward the cutterbar. The draper should be half-way filled (see illustration)

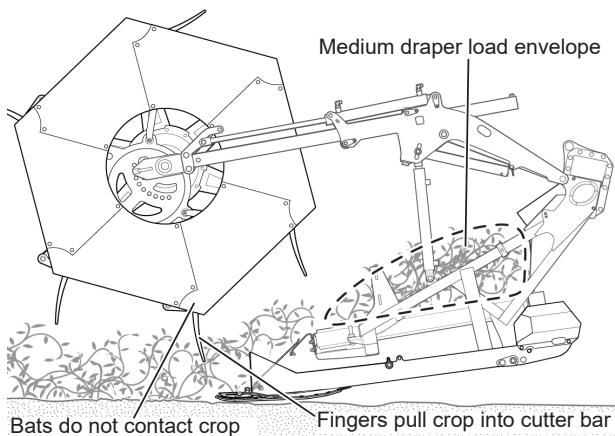


Fig. 127 - Optimal Pulse Crop Harvesting

Harvesting Bushy Crops

Harvest in **RIGID** cutting mode. Lower the platform until cutterbar cuts below the material to be collected. For maximum efficiency, completely fill the drapers so the crop reaches just to the top of the draper shields (see the illustration below). Raise and retract the reel so it is slightly behind the cutter bar so it assists in separating the cut from the uncut crop. The reel bats should not contact the crop.

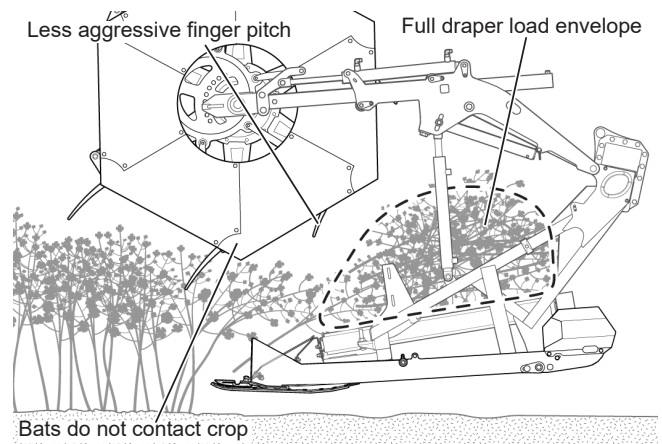


Fig. 128 - Optimal Bushy Crop Harvesting

Harvesting in Tough Feeding Crop Conditions

Move reel rearward to ensure cut, heavy crop is separated from uncut crops and transferred across the feather plates to the drapers.

Harvesting in Short, Thin Crops

Position reel low, above knife (approximately half way extended) and front area of draper, to assist crop onto drapers. The reel fingers should be directly above the cutter bar.

In thin crops, increase ground speed in order to increase crop volume to facilitate feeding.

Harvesting Soybeans

When harvesting soybeans, set air pressure for crop conditions:

- **Dry conditions:** lower pressure/heavier cutter bar
- **Wet conditions:** higher pressure/lighter cutter bar

Harvesting Sorghum

Set cutting height to cut off heads and no more stalk than necessary. Adjust reel low and rearward as much as possible to help move cut heads onto belts. Tilt the header back so the heads roll back.

Lodged/Downed Crops

Operate in FLEX mode with optional hydraulic skid shoes fully retracted and the cutterbar running roughly level with the ground (or slightly pitched forward). This will allow the knife to cut under the lodged crop.

Extend the reel forward to the 10-12 position and lower the reel to the lowest position. At this position the reel will help to convey the cut crop up to the lateral drapers.

When picking up downed crop, the reel finger pitch should be adjusted to be more aggressive.



IMPORTANT!

It is very important that you check the reel finger clearance before operating the header in order to avoid cutting off the ends of the reel fingers.

Extreme Lodged/Downed Crops

Extend the tilt cylinder to angle the guards down in small increments to help the guards get underneath the downed crop.

If needed, lower the air pressure (increasing the cutter bar weight) to prevent the cutter bar riding on top of down crop.

If the cutter bar is still riding on top of crops:

Tilt the header forward to increase guard angle in order to pick up crop better.



IMPORTANT!

Increased wear will result on guards, knife sections, and knife head bearings. When running in this mode, grease the knife heads every 5 hours (not 10 hours). This method should only be used in extremely down crop on rolled land.

The feather plates will be quite steep in this mode, so set your reel to clean the top of the feather to assist crop onto the drapers. Set ground speed to ensure sufficient crop flow across the cutter bar to aid in feeding.

Bushy/Ripe Crops

The feed auger fingers should be extended fully forward or slightly upward to increase the ability of the drum to grab and pull in bulky crops.

Fully retract the reel towards the rear of the header.

When harvesting busy/ripe crops, the reel fingers should be adjusted to be less aggressive.

Easily Shelled Crops

The reel should be positioned so it has minimum contact with the crop in front of the cutter bar. Positioning the reel too far forward can result in shelled out crops dropping under the cutter bar.

Generally, the reel should be lined up to the middle of the feather plates to allow for knife clearing and good feeding with minimum losses.

Raise the reel so only the reel fingers engage the crop and not the reel bats.

Normal Crops

Position the reel to provide best crop flow with minimal interference. For grain crops, this is typically about 7" out (fingers in line with top of feather plate). For leaning or pulse crops, this is further forward at about 11" out (fingers in line with back of guards).

This page intentionally left blank

17 - Automatix Lite System

The bottom row of switches are used for sending commands to the Automatix system and provide access to harvesting settings used in the field.

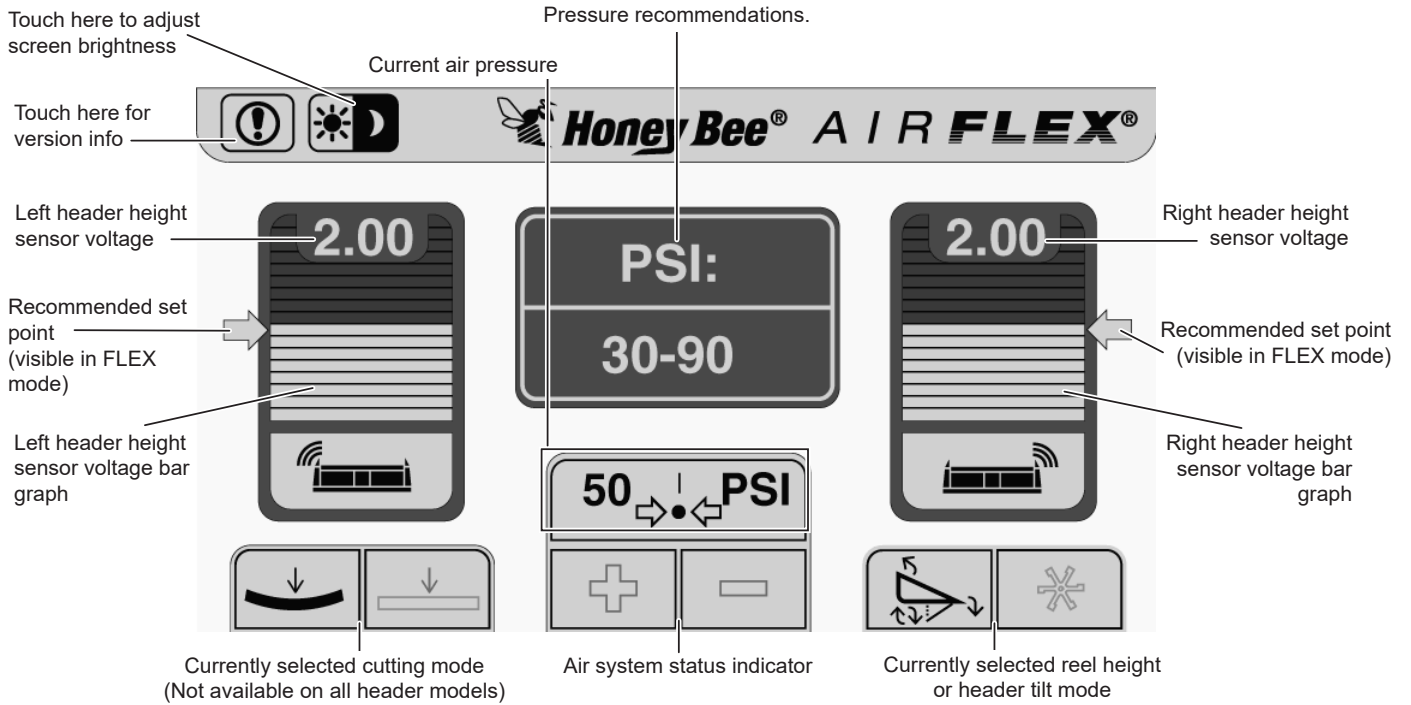


Fig. 129 - Automatix Lite Main Screen

17.1 - Screen Icons

	Left header height sensor.
	Right header height sensor.
	FLEX cutting mode (not available on all models)
	RIGID cutting mode (not available on all models)
	Air pressure is increasing (compressor is running)

	Air pressure is decreasing.
	Reel height mode is active (controlled via combine controls)
	Header tilt and skid shoe mode is active (controlled via combine controls)
	Automatix Lite information screen
	Screen brightness adjustment.

17.2 - Physical Switches

The header functions are controlled via three physical switches that run along the bottom of the Automatix Lite control panel.

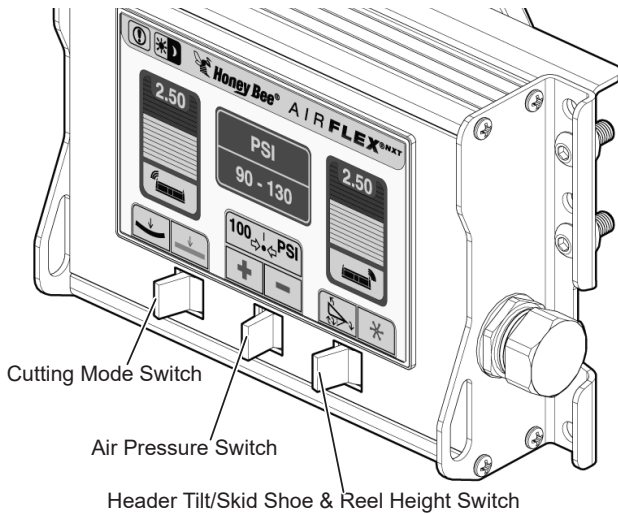


Fig. 130 - Physical switch locations

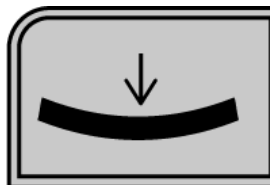
The functions of these switches are as follows:

17.2.1 - Cutting Mode Switch:

The cutting mode switch is used to select your desired cutting mode.

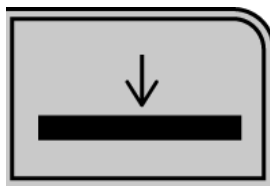
FLEX mode

When FLEX mode is selected, the cutter bar header height sensors become active and the air pressure recommendation is low in order to allow the cutter bar to flex to follow the terrain. Used when cutting close to the ground.



RIGID mode

When RIGID mode is selected, the header height sensors become disabled (as shown on the display) and the air pressure recommendation is quite high. High air pressure prevents the cutter bar from flexing. Used when cutting high off the ground.



17.2.2 - Air Pressure Switch

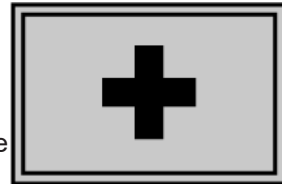
The air pressure switch has three possible positions. This switch should be left in the middle position after the desired air pressure is achieved.

IMPORTANT!

When adjusting air pressure, always monitor the pressure on the display screen. DO NOT exceed 120psi or the pressure release valve will dump all the air from the pressure tank.

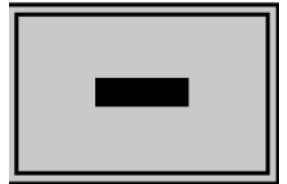
Add Air Pressure

Move the switch to the left until the + symbol is highlighted, this activates the air compressor and will start adding pressure to the air system. The more air added to the system, the more RIGID the cutter bar becomes.



Dump Air Pressure

Move the switch to the right until the - symbol is highlighted. This will open the a valve in the pressure system that will slowly dump the air from the system. The less air in the system the more FLEXible the cutter bar becomes.

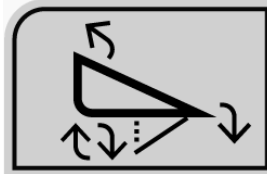


17.2.3 - Header Tilt/Skid Shoe & Reel Height Mode Switch

The header tilt/skid shoe & reel height switch is used to select the function of the header tilt/skid shoe/reel height controls in the combine.

Header Tilt/ Skid Shoe Adjustment

Move the switch to the left until the header tilt/skid shoe mode icon is activated. This will allow the combine control handle to adjust the header tilt using the reel lift/lower controls and skid shoe angle using the reel fore/aft controls.



IMPORTANT!

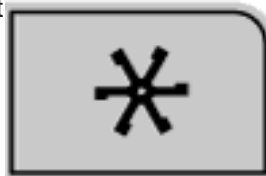
When finished tilting the header, ALWAYS return the switch to the reel position to prevent power drain from tilt valve. If the switch is left in tilt mode, the tilt valve will continuously use power from the combine battery, even when the combine is powered off.

NOTE:

The tilt function switch will be inactive if the alternate tilt harness is used with CNH combines.

Reel Height Adjustment

Move the switch to the right until the reel height icon is activated and the combine control handle will modify the reel height (or reel fore/aft position for some combines).

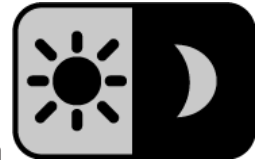


17.3 - Touch Screen Buttons

The Automatix Lite control panel is equipped with a touch screen. There are currently only two buttons on the screen.

17.3.1 - Adjust Screen Brightness

Touch the brightness icon on the top right of the screen to switch between bright and dim modes.



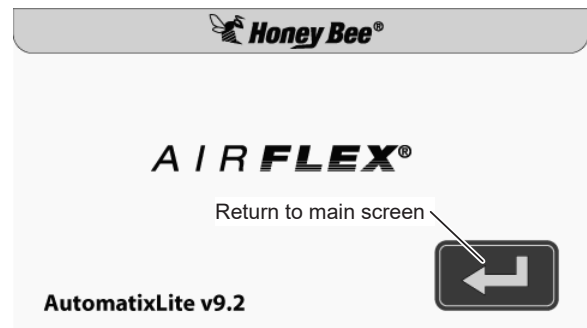
17.3.2 - Info

Touch the info icon to view the Automatix version information.



17.4 - Info Screen

The Automatix Lite software version number can be found here for troubleshooting purposes.



.Fig. 131 - Automatix Lite Info Screen

17.5 - Sensor Bar Graphs (FLEX mode)

In FLEX mode, the Automatix Lite display shows the live sensor voltage for the cutter bar header height sensors.

The bar graph represents the amount of motion left available to the cutter bar.

- A bar graph with 3.5 volts indicates the cutter bar has its full range of motion available (approximately 9”).

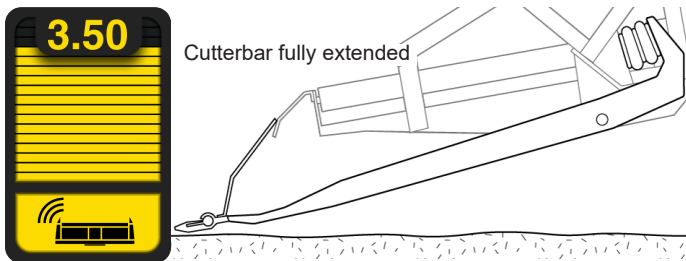


Fig. 132 - Sensor Bar Graph - Cutter bar full range available

- A mostly empty bar graph with 1.5 volts showing indicates the cutter bar has been pushed all the way up.

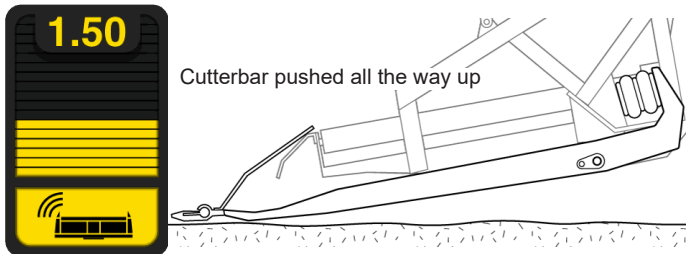


Fig. 133 - Sensor Bar Graph - Cutter bar pushed up

17.6 - Sensor Bar Graphs (RIGID mode)

In RIGID mode, the Automatix Lite display shows the live sensor voltage for the subframe header height sensors.

- A bar graph with 3.4 volts indicates the subframe/header have their full range of motion available.

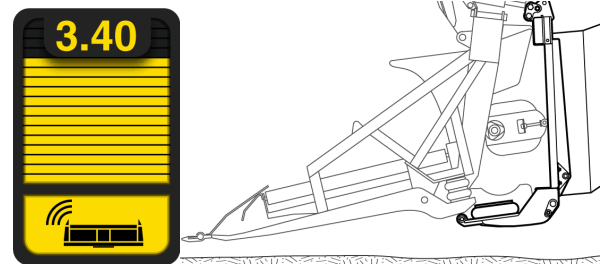


Fig. 134 - Sensor Bar Graph - Header full range available

- A bar graph with 1.5 volts indicates the header has been pushed up by the gauge wheels (gauge wheels not shown in illustration).



Fig. 135 - Sensor Bar Graph - Header pushed up

17.7 - Warnings

17.7.1 - Air Pressure Warnings

If the detected air pressure is too low or too high for the selected cutting mode, an animated warning will appear on the Automatix Lite display to warn the header operator. Add(+) or Dump(-) air from the system as indicated in the animation until the warning disappears.



Fig. 137 - Warning! Add air!



Fig. 136 - Warning! Dump air!

17.7.2 - Header Height Sensor Warnings

If the header height sensor is disabled or if the sensor voltage is too low to be detected, the bar graph will turn red to indicate that no sensor is active.



Fig. 138 - Warning! Header height sensor not detected!



IMPORTANT!

Automatic header height control will not function while this warning is visible!

17.8 - Automatix Switches - Important Note

The switches below the automatix display are always active. Even if the display is powered off, the switches are still powered by the combine battery.

This page intentionally left blank

18 - Troubleshooting

18.1 - Reel

Symptom	Possible Cause	Solution
Reel Wrapping in Tangled and Weedy Conditions	Incorrect reel location.	Adjust reel forward and down.
	Reel speed too fast.	Slow reel until crop flows smoothly onto belts.
	Reel fingers not able to eject material properly.	Adjust reel timing to next more aggressive setting (lower number)
Reel Carrying Around Crops or Excessive Shattering of Grain Heads	Reel speed too fast.	Slow reel speed. Reel should turn slightly faster than ground speed.
	Reel height too low.	Raise reel height to reduce amount of straw gathered by reel.
	Pickup fingers pitched too much.	Reduce finger pitch by adjusting reel timing to next less aggressive setting (higher number)
	Pickup fingers too tightly spaced	Replace 2.5" spaced reel fingers with 5" spaced reel fingers (remove every 2nd finger).
Uneven Reel Height and Fore/Aft	Reel cylinders out of phase.	Rephase cylinders (see section 19.8.2 on page 106). Header reel must be running to fully rephase reel lift cylinders
	Reel stops not set to same height	Adjust reel stops.
Cutterbar Plugging or Slug Feeding	Reel speed too slow.	Increase reel speed.
	Reel too far forward	Retract reel
	Reel fingers too far from cutter bar	Lower Reel

18.2 - Drapers

Symptom	Possible Cause	Solution
Draper Jams or Stops Moving	Material is lodged in the draper mechanism	Stop the combine, wait for all parts to come to a stop and reverse the mechanical systems (see section 16.8 on page 73)
	Material is jammed in the draper cleanout or rock trap.	Clean out the rock trap and the draper cleanout. (See page 122)
Drapers are slipping	Draper tension too loose.	Adjust draper tension (19.7.1 on page 102)

18.3 - Cutting Platform

Symptom	Possible Cause	Solution
Shattering of Grain Ahead of Cutterbar	Reel speed not matched to ground speed, causing crop to be overly disturbed before it is cut.	Adjust reel speed to match with ground speed so reel moves crop evenly. Reel should turn slightly faster than ground speed.
	Reel is positioned too low.	Raise reel.
	Reel speed too fast	Slow down ground speed so reel does not hit crop, causing it to shatter.
	Ground speed too slow for conditions of crop.	Increase ground speed so crop 'pressure' is increased, forcing more product onto the drapers.
	Reel too far forward	Position the reel above the cutter bar.
Cut Crop Building Up and Falling from Front of Cutterbar or Loss of Grain Heads at Cutterbar	Reel not adjusted low enough for good delivery of cut crop to belts.	Set reel low enough to sweep material from cutterbar.
	Ground speed too slow for crop conditions.	Increase ground speed so crop 'pressure' is increased, forcing more product onto the drapers.
	Reel too far forward.	Move reel closer to cutterbar.
	Cutterbar angle too steep, preventing crop from being pushed onto draper.	Adjust header tilt to adjust angle of cutterbar.
	FLEX Cut Set Point set too high (more than 2").	Decrease the Cut Set Point
Ragged and Uneven Cutting of Crop	Knife dull.	Replace knife.
	Cutterbar plugged with material.	Adjust reel to sweep material off cutterbar.
	Knife sections damaged.	Replace damaged sections.
	Integral knife hold-downs adjusted loose.	Adjust hold-downs to recommended clearance.
Excessive Vibration of Cutting Parts	Feeder house lower shaft not at recommended speed.	Check basic speed of combine (see combine Operator Manual).
	Variable speed feeder house is too fast.	Slow variable speed feeder house (see combine Operator Manual).
	Knives not timed properly.	Adjust knife timing (see section 19.9.2 on page 111).
	Loose bolts on knife drive paddle	Tighten all fittings on the knife drive paddle.

18.4 - Cutting Platform (continued)

Symptom	Possible Cause	Solution
Excessive Knife Drive Loads or Inconsistent Cut Heights	Dull knife sections.	Replace knife sections.
	Dull knife guard edges.	Replace knife guards.
	Excess binding between top of knife sections and top of guard slots.	Inspect for bent guards, bent cutterbar, or improper position of guards.
Excessive Knife Drive Loads or Inconsistent Cut Heights	Dull knife sections.	Replace knife sections.
Crop is not feeding properly	Crop is not clearing the feather plates	Lower the reels, increase the speed of the power unit/reel, set reel finger timing to be more aggressive. Set reel fore/aft to clear feather plates.

18.5 - Header Leveling

Symptom	Possible Cause	Solution
Header is running crooked or unbalanced	Uneven weight distribution or misaligned subframe air bags	Adjust subframe airbag as outlined in section 19.20 on page 128

18.6 - Active Header Height Control

Symptom	Possible Cause	Solution
Active Header Control Will Not Operate	Manual raise or lower does not work.	See your combine dealer.
	Active header control not enabled.	Enable active header control mode that is desired as per combine procedures.
	Feeder house to header connector not connected or loose.	Connect properly.
	Header height sensor not properly connected or damaged.	Connect or repair sensor.
	Header not correctly calibrated	Calibrate header height control on header first, then combine.
Active Header Control Lowers But Will Not Raise	Defective active header control card.	See your combine dealer.
Active Header Control Raises But Will Not Lower	Defective active header control card.	See your combine dealer.
System Cycles or Hunts	Accumulator on combine has incorrect setting.	The auto header height works best with the float accumulator turned OFF.
	Combine Header Height (or tilt) sensitivity too high	Decrease Combine Header Height sensitivity (or combine tilt sensitivity if the header hunts side to side), then if the problem continues increase combine smoothing. Re-calibrate the combine HHC.
System Fails Intermittently After Manually Raising Header Over Obstacle	System was deactivated.	Reactivate combine header height system.
Header Raises or Lowers Too Slow or Too Fast	Incorrect raise/drop rate adjustment.	Adjust raise/drop rate (see combine operator manual).

18.7 - Cross Auger

Symptom	Possible Cause	Solution
Crop wrapping around cross auger	Cross auger too far away from back panel	Move cross auger closer to back panel. See section 13.5.3 on page 50.

18.8 - Miscellaneous

Symptom	Possible Cause	Solution
Uneven or Bunched Feeding of Crop	Cut crop not being separated from uncut crop at cutter bar.	Adjust reel settings as described in 16.4 on page 65)
	Feeder house conveyor chain too loose.	Adjust tension (see combine operator manual).
	Feed auger lower stops set too high.	Adjust lower stops downward.
	Feed auger belt drive too loose.	Adjust belt tension
	Draper tension is too loose	Increase draper tension
	Crop is bunching on feather plate	Adjust the reel
Header pushing dirt when tilted forward	Header angled too far forward	Tilt the header back
		Add air pressure to paddles
		Lower the reel make finger timing more aggressive
	Combine feed house angle not correct.	Set the correct combine feeder house angle (see 15.4 on page 58)
Hydraulic Leak Detected At Multi-Coupler	Leaking O-ring.	See your dealer.
System is not keeping air pressure while header is running	Air is leaking or compressor is not running properly	Check air lines, air bags and air fittings for leaks.

This page intentionally left blank

19 - Service & Adjustment

WARNING!

The header contains many high speed mechanical components. If these components become damaged, it is extremely important that they be repaired as soon as possible. Running equipment with misaligned or damaged parts can cause additional damage to surrounding components, as well as increase the risk of fire.

19.1 - Fasteners

During operation, vibration can loosen fasteners on various components of your header. Parts with thinner metal such as safety shields tend to vibrate more than other parts, so particular care must be taken to ensure they are firmly secured.

Always ensure that all fasteners are torqued to the proper specifications (see page 157). Apply thread lock compound when necessary.

19.2 - Permanent Bushings

Inspect sealed bearings and permanent bushings every 200 hours of operation and replace as necessary.

For bushing locations, see section 22.3 on page 152.

IMPORTANT!

Only the main reel permanent bushing can be lubricated. Do not lubricate the other permanent bushings. These bushings are self-lubricating. Added grease will drastically shorten their lifespan.

19.3 - Speed Sensor Adjustment

The speed sensors on the header are adjusted to their optimal position in the factory but may require adjustment if they are replaced or serviced.

In order for the speed sensors to work properly, they must be 0.90-0.95mm (0.035-0.037 in.) away from the surface they are measuring.

For each sensor, 1 full rotation of the adjuster nut equals approximately 1 mm of travel, so to get the best distance, screw in the sensor until it is just touching its measuring surface then back it off 90-95% of a turn.

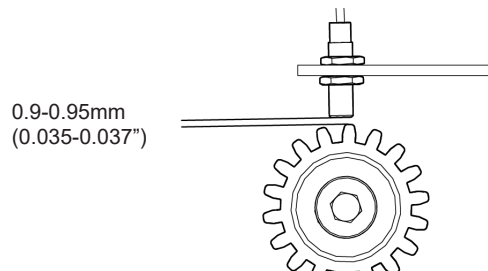


Fig. 139 - Speed Sensor Spacing

For speed sensor locations, see section 22.5 on page 154.

19.4 - Cleaning the Header

For optimal performance, inspect and clean the header every day prior to operation. Accumulation of debris will increase friction, reducing the lifetime of components and can possible cause fires.

Lateral Drapers	Inspect the rollers and the space inside the draper canvas for material buildup and remove as necessary.
Center Draper	Check the rollers and the space inside the draper canvas for material buildup and remove as necessary. Remove all debris from the center rock trap and draper cleanout. See section 19.13 on page 122.
Crop Dividers	Ensure the area inside the crop dividers is clear of debris.
Knife	Inspect the knife for gummy buildup and clean with water or diesel as needed.
Reinforcement Bracket	There is a reinforcement bracket on the center of the cutter bar beneath the transition plates, crop material can accumulate in this location. Check and clear all debris from this area.
Knife Heads	Check the area around and behind the knife heads for material buildup and clean as necessary.
Reel	Ensure all moving parts on the reel are free of wrapped crop material and clean as necessary.
Roller Covers	Check the roller covers on the rear left and right hand ends of the header for material buildup and clean as needed.
Side Doors	Open both side doors and inspect all moving components within. Clean out all debris from the drive shafts, pulleys, drive belts and roller covers.
Feed Auger	Inspect the area around the feed auger drum and remove all debris.

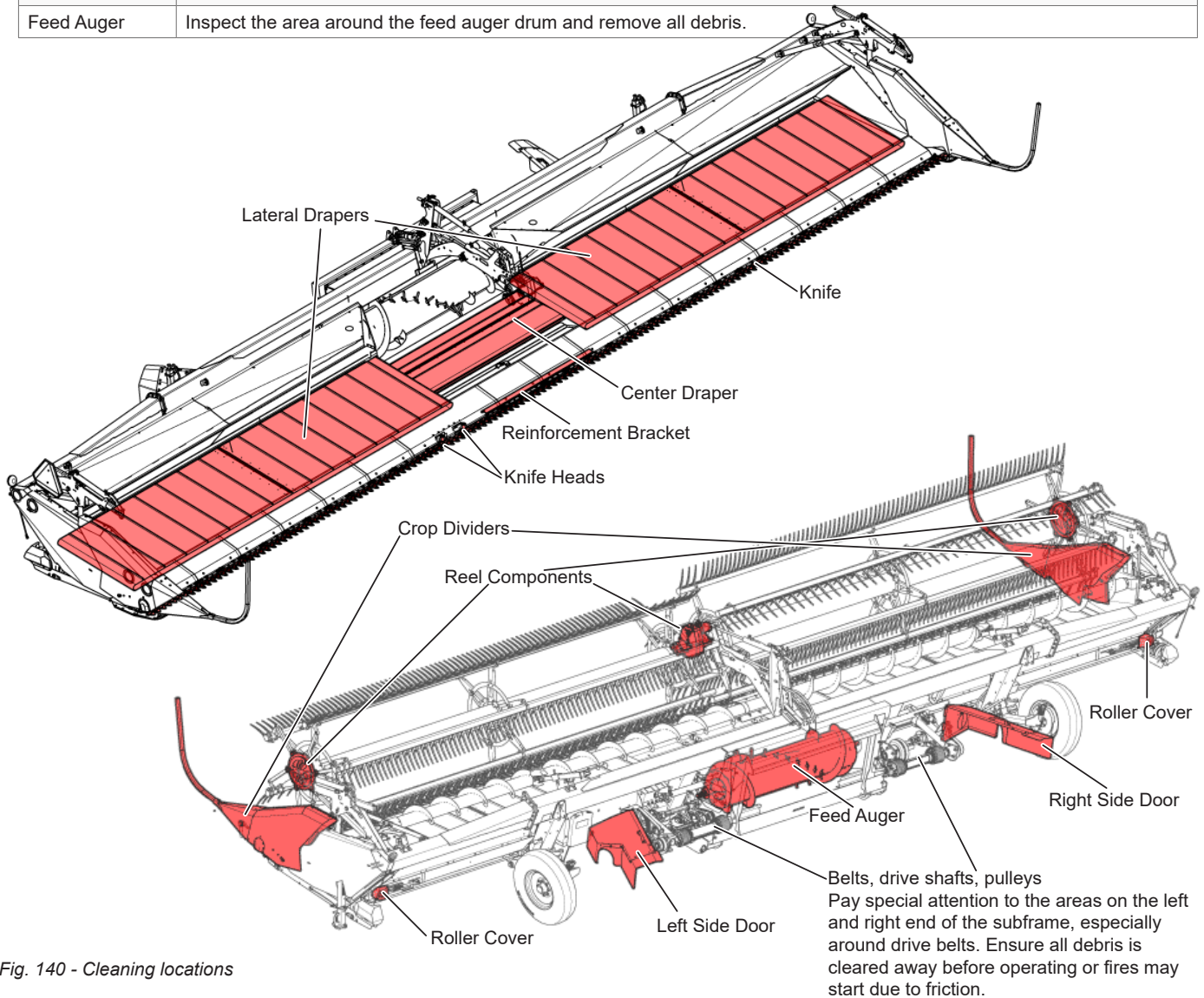


Fig. 140 - Cleaning locations

19.5 - Drive Belt/Chain Tension

All drive belts should have proper tension and alignment. If any belts appear to be damaged, they must be replaced and the cause of damage must be determined and rectified.

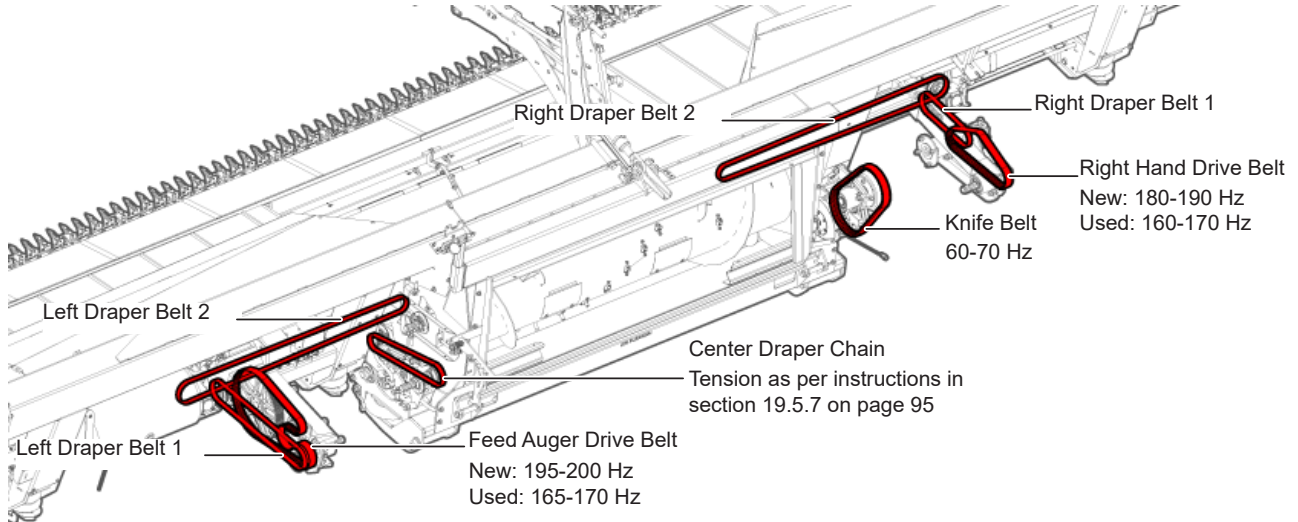


Fig. 141 - Drive Belt Locations

The belts shown above with a Hz measurement must be checked with a device that can measure sound frequency. Fortunately, most cell phones can use guitar tuner apps for this measurement.

The remaining belts are tensioned using a mechanical spring tensioner.

For both belt types, it is important that the tension is measured and adjusted after the header has been running for some time to ensure the belts have reached their operational temperature.

WARNING!

Before adjusting belt tension, shut off the combine, engage the parking brake and wait for all moving parts to come to a stop before approaching the header.

IMPORTANT!

Do not tension cold belts as they may change size when heated during operation, resulting in incorrectly tensioned belts.

IMPORTANT!

Under-tensioned belts can slip, generating heat which will shorten the belt lifespan and damage cog pulleys!

Over-tensioning belts will result in belt stretching and reduced bearing lifespan.

If belt tension is adjusted, it is important to re-check the tension after a day of usage to ensure all adjustments are secure.

When adjusting belt tension, check the belt for fraying or cracks. Replace if necessary.

IMPORTANT!

Check the belt tension after the first 100 hours of operation.

19.5.1 - General Belt Tensioning Guide

1. If installing or replacing a belt, first install the belt using the instructions in section 19.6 on page 98.
2. Once installed, set the tension using one of the following:
 - **New Hz value** for new belts (see previous page)
 - **Used Hz value** for belts which have been used for 24+ hours (see previous page).
 - **Mechanical tension indicator**, the indicator should be aligned with the washer as shown below.

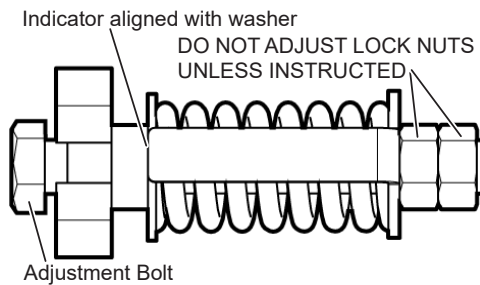


Fig. 142 - Tension Indicator Position

3. Return to the combine cab and run the header for a few revolutions.

WARNING!

Shut off the combine, engage the parking brake and wait for all moving parts to come to a stop before approaching the header.

4. Check the tension again to ensure it is still accurate, adjust as necessary.
5. IF a new belt was installed, check the tension again after 24 hours of operation to ensure it is within the range of the Used frequency listed on the previous page. Adjust as necessary.
6. Re-check the belt tension at least once a year.

19.5.2 - Using the Tension Indicators

The tension indicators vary slightly between belts, please see the following pages for belt-specific instructions.

1. Loosen the lock nut and/or bolts.
2. Turn the adjustment bolt (or nut in some situations) until the indicator is aligned with the end of the washer.
3. Re-tighten the lock mechanism.

19.5.3 - Tension Verification Using Smartphone App

Some of the belts in the header drive system require a tuner app for verifying belt tension.

Honey Bee recommends the following apps as they have been tested for accuracy. Take note of the app icon and developer name as there are multiple apps with similar names.

NOTE:
Using an app to measure belt frequency requires a quiet location in order to take accurate measurements. Please note this is a 3rd party application which is not published by Honey Bee. The software may be removed or changed without notice, this is beyond Honey Bee's control.

19.5.3.1 - Apple Devices (iOS)



App Name: Fine Tuner

Developer Name: 9928189 Canada Inc.

Link: <http://www.finetunerapp.com>

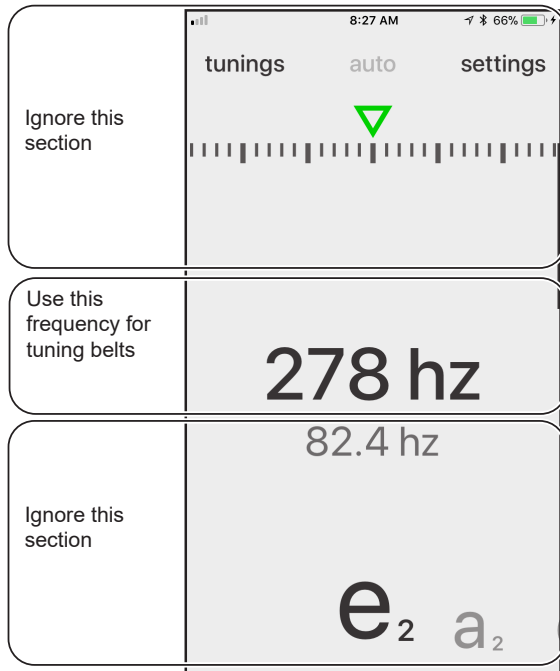


Fig. 143 - iOS - Fine Tuner app

19.5.3.2 - Android Devices



App Name: Tuner - gStrings
Free

Developer Name: cohortor.org

Link: <https://play.google.com/store/apps/details?id=org.cohortor.gstrings>

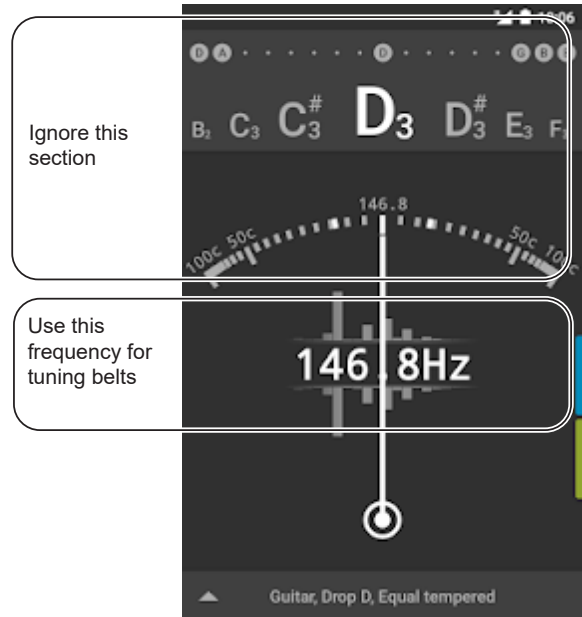


Fig. 144 - Android - Gstrings Tuner App

19.5.4 - Feed Auger Drive Belt Tension

The feed auger drive belt is located just to the left of the subframe.

1. Loosen the lock nut.
2. Adjust the tension, then re-tighten the lock nut.
3. Pluck the belt like a guitar string and measure with a tuner app to verify the belt frequency is correct:
 - New (0-24h): 195-200 Hz
 - Used (24h+): 165-170 Hz

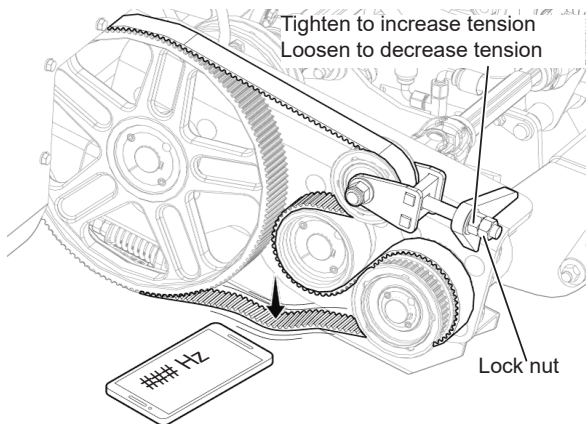


Fig. 145 - Feed Auger Drive Belt Tension Adjustment

19.5.5 - Left Draper Drive Belt 1 Tension

1. Loosen the two lock bolts and lock nut.

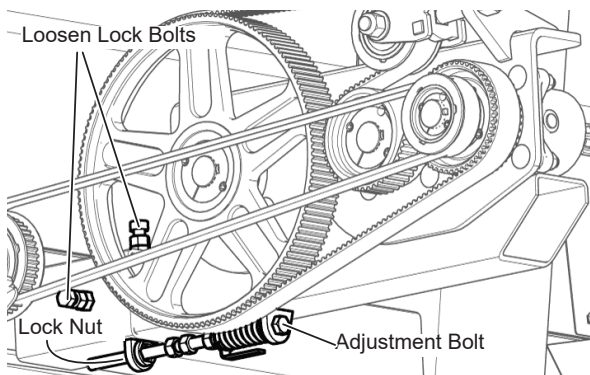


Fig. 146 - First left draper drive belt lock bolts

2. Adjust the belt tension with the adjustment bolt.
3. Retighten the lock nut and lock bolts when desired tension is achieved.

19.5.6 - Left Draper Drive Belt 2 Tension

4. Loosen the four lock bolts on the bottom of the gearbox then loosen the lock nut.
5. Adjust the belt tension via the adjustment nut.
6. Retighten the lock nut and lock bolts when desired belt tension is reached.

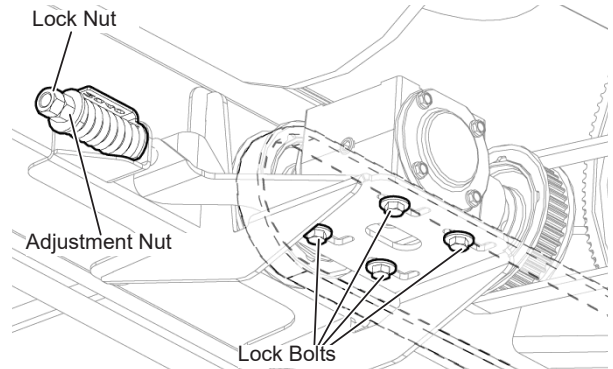


Fig. 147 - Left Draper Drive Belt 2 Tension Adjustment

19.5.7 - Center Draper Drive Chain Tension

The center draper drive chain is located on the left side of the feed auger drum enclosure, under the shield.

1. Loosen the lock nut.
2. Turn the adjustment nut until the spring indicator tip is flush with the washer.
3. Tighten the lock nut against the adjustment nut to lock it in place.

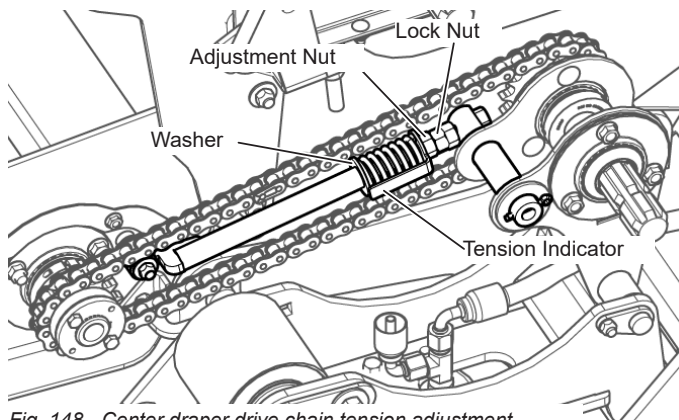


Fig. 148 - Center draper drive chain tension adjustment



IMPORTANT!

Re-check the center draper drive chain tension when the header is lifted off the ground by the combine and when the tilt cylinder is retracted as this may change the geometry of the center draper drive system.

19.5.8 - Right Hand Drive Belt Tension

1. Loosen the lock nut
2. Adjust the belt tension via the adjustment nut.
3. Retighten the lock nut when desired tension is reached.

Correct tension is achieved when the bottom section of belt vibrates at the frequency specified below when plucked. Use a tuner app to verify the frequency.

- New belts (0-24h) are properly tensioned when they vibrate at 180-190 Hz.
- Old/Used belts (24h+) are properly tensioned when they vibrate at 160-170 Hz.

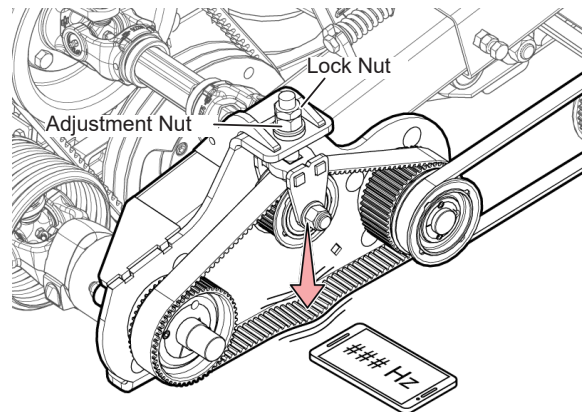


Fig. 149 - Right hand drive belt tension

19.5.9 - Right Hand Draper Drive Belt 1 Tension

1. Loosen the two lock bolts and lock nut
2. Adjust the belt tension via the adjustment bolt
3. Retighten the lock bolts and lock nut when desired tension is reached.

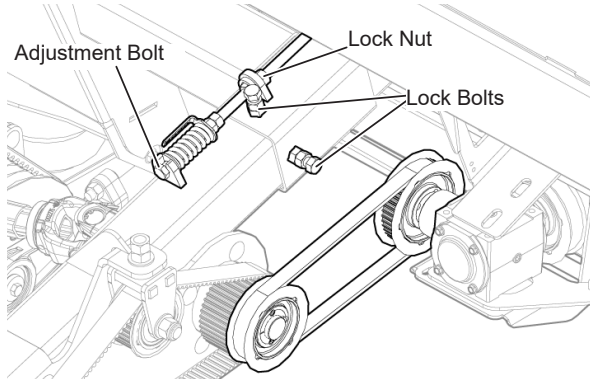


Fig. 150 - Right draper drive belt 1 tension adjustment

19.5.10 - Right Hand Draper Drive Belt 2 Tension

1. Loosen the four lock bolts on the underside of the gearbox.
2. Loosen the lock nut and adjust the belt tension via the adjustment nut.
3. When desired tension is reached, re-tighten the lock bolts.

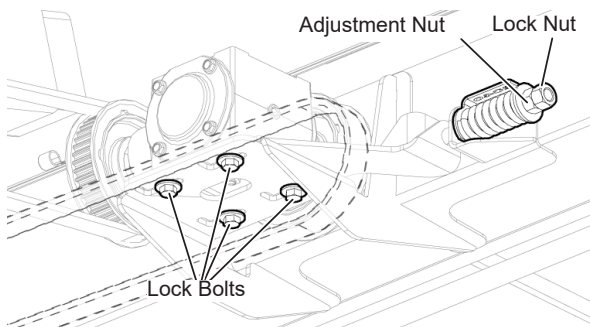


Fig. 151 - Right draper drive belt 2 tension adjustment

19.5.11 - Knife Drive Belt Tension

1. Slightly loosen the lock bolt and two lock nuts shown below. DO NOT remove them.

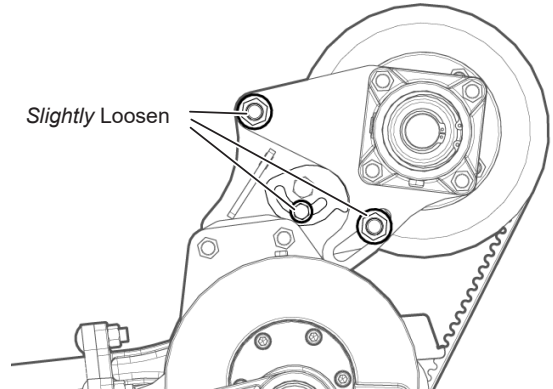


Fig. 152 - Knife Belt Tension - loosen lock nuts and bolt

2. While holding the lock bolt in place with one wrench, place a second wrench on the adjustment bolt and lift up with 180 ft/lb (244 Nm) of force. Ensure the lock bolt is tight.

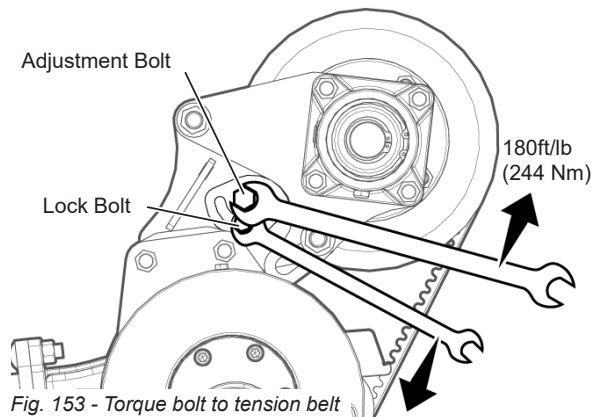


Fig. 153 - Torque bolt to tension belt

3. Re-tighten the two lock nuts.

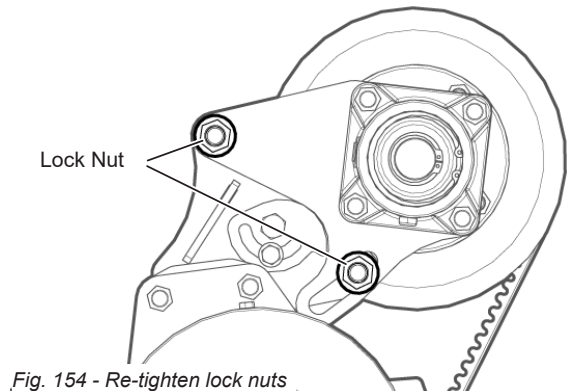


Fig. 154 - Re-tighten lock nuts

4. Correct tension is achieved when the belt vibrates at 60-70 Hz when plucked like a guitar string. Use a tuner smartphone app to verify the frequency. If the correct tension has not been achieved, repeat steps 1 through 4.

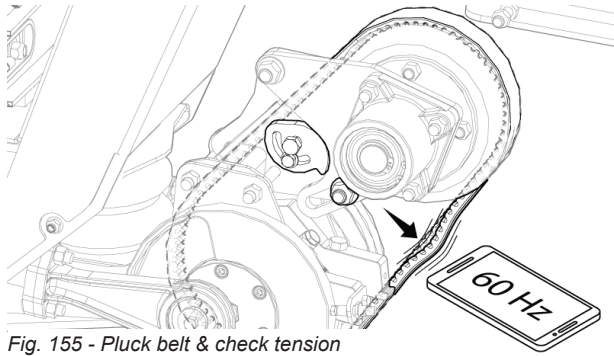


Fig. 155 - Pluck belt & check tension

19.6 - Drive Belt Replacement

IMPORTANT!

When replacing or adjusting the drive belts, NEVER bend the belts beyond the diameter of the smallest pulley they will be installed on. Bending the belts too far will result in drastically reduced belt lifespan and possible equipment damage.

When replacing drive belts, check the pulleys for excessive tooth wear.

19.6.1 - Knife Drive Belt Replacement

Take note of which nuts, washers and bolts are used with which components when removing them to make the reassembly process easier.

1. Disconnect the pto driveshaft and right-hand pitman arm from the knife drive belt assembly.

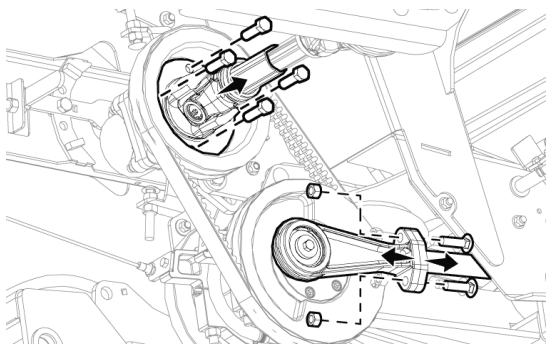


Fig. 156 - Disconnect pitman arm & PTO

2. Loosen the tension from the belt as shown below.

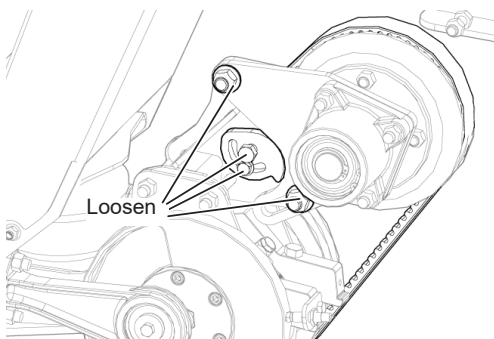


Fig. 157 - Loosen locking mechanisms

3. Remove the old belt and install the new belt.
4. Reinstall the pitman arm and drive shaft by performing the removal process in reverse.

For torque recommendations, see section 22.8 on page 157.

5. Ensure the new knife belt is properly tensioned by following the directions in section 19.5.11 on page 96. All fittings must be properly re-tightened after this procedure is complete.

19.6.2 - Feed Auger Belt Replacement

1. Open the side shield as described in section 19.14 on page 122.
2. Remove the left hand draper belt 1 as described in section 19.6.3 on page 99.
3. Loosen the feed auger belt tension by loosening the indicated bolt.
4. Loosen (but do not remove) the nut holding the tension pulley in place. This will release the pulley bracket allowing you to remove the draper belt.

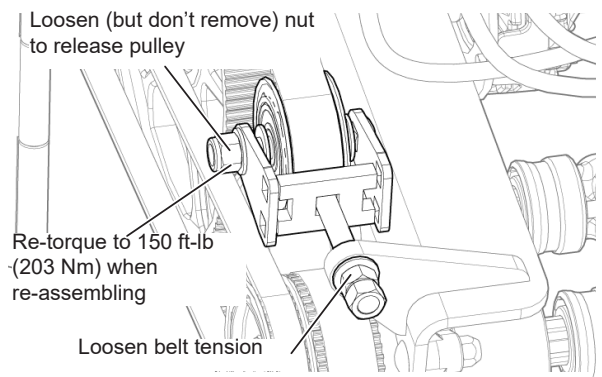


Fig. 158 - Feed auger drive belt adjustment

IMPORTANT!

If you completely disassemble the pulley, take note of the washers used on each side of the pulley to separate it from the bracket. The system will not function without these washers.

5. Take note of the belt orientation and how it is fed through the pulleys. Remove the old belt and install the new belt.
6. Reinstall the first draper belt.
7. Reinstall the pulley and ensure the tension is properly adjusted for both belts as described in section 19.5 on page 91.

19.6.3 - Left Draper Drive Belt 1 Replacement

The left hand draper uses two drive belts, the first belt runs parallel to the feed auger drive belt on the left of the sub frame.

1. Loosen the two lock bolts shown below.

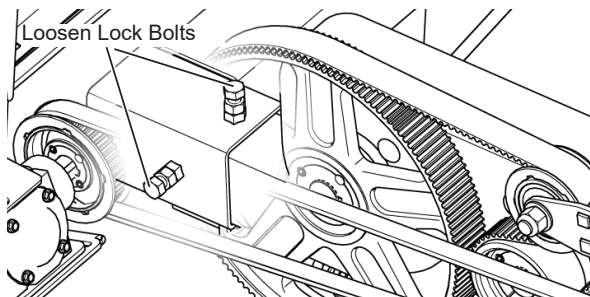


Fig. 159 - First left draper drive belt lock bolts

2. Loosen tension via the tension bolt to decrease belt tension to allow you to slide the old belt off the pulleys.

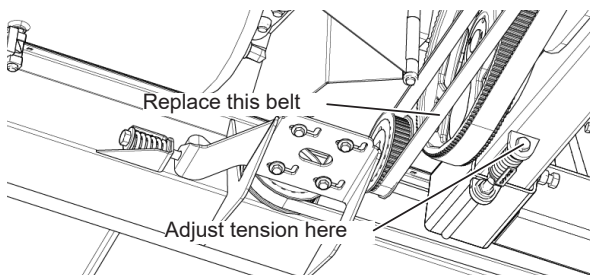


Fig. 160 - Remove the first left draper belt

3. Install the new belt on the pulleys and then re-tighten the belt tension. Ensure the belt tension is properly set as described in section 19.5.5 on page 94.
4. Retighten the two lock bolts.



IMPORTANT!

It is critical that the belt is correctly tensioned and that the two lock bolts are securely tightened prior to operating the header.

19.6.4 - Left Draper Drive Belt 2 Replacement

The second left hand draper belt is located behind the feed auger belt assembly between the draper deck and the feed auger frame.

1. Before replacing this belt, fully extend the tilt cylinder (tilt the table forward) to allow more room for accessing belt hardware.



WARNING!

Lock the Feeder House in raised position as described in your Combine Owner Manual. Engage the Parking Brake, shut down the engine and wait for all moving parts to stop before exiting the cab.

2. Loosen the draper belt tension

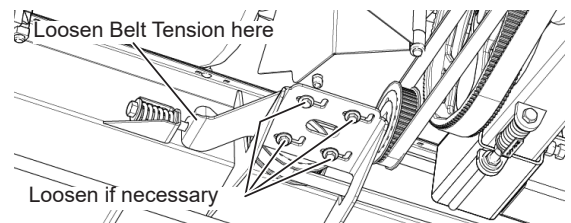


Fig. 161 - Left draper drive belt loosen tension

3. Remove the cover from the other end of the draper belt and remove the belt from the pulleys.

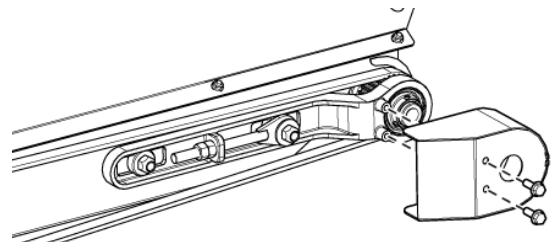


Fig. 162 - Remove left draper drive belt cover

4. Install the new belt and reinstall the cover.



IMPORTANT!

Ensure the cover shown above is installed before operating the header.

5. Ensure the belt tension is properly set as described in section 19.5.6 on page 94.

19.6.5 - Right Hand Drive Belt Replacement

1. Before replacing this belt, tilt the table forward to allow more room for accessing belt hardware.

WARNING!

Engage the Parking Brake, shut down the engine and wait for all moving parts to stop before exiting the cab.

2. In order to replace the right-hand drive belt, you must first remove the right hand draper belt 1 as described in section 19.6.5.
3. Loosen the indicated lock nut, loosen the drive belt tension via the adjustment nut. Loosen but do not remove the pulley nut to release the belt.

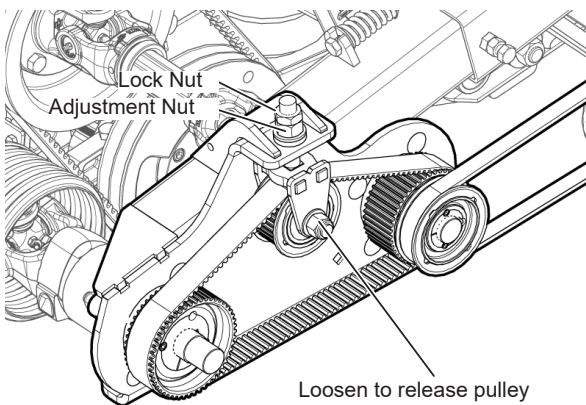


Fig. 163 - Right drive belt replacement

4. Replace and re-secure the drive belt then reinstall the right hand draper belt 1. Re-tension as outlined in section 19.5 on page 91.

19.6.6 - Center Draper Drive Chain Replacement

1. Loosen the tension on the chain by loosening the lock nut then loosening the adjustment nut.

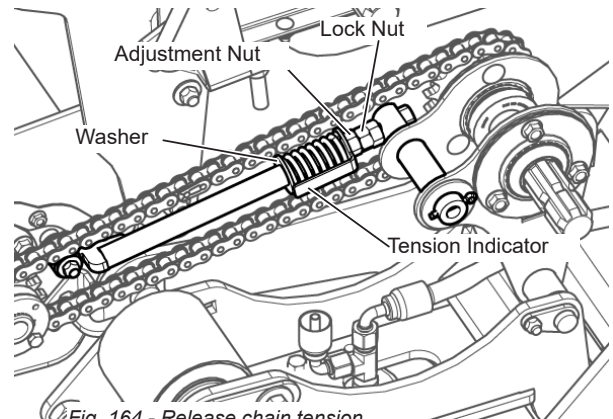


Fig. 164 - Release chain tension

2. Remove the old chain by disconnecting the master link as shown below.

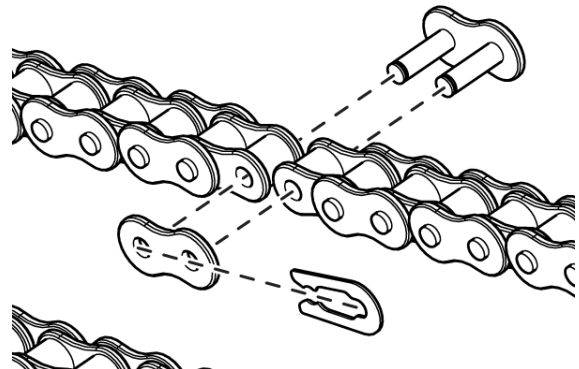


Fig. 165 - Disconnect chain master link

3. Install the new chain and secure with the master link. Re-tension as outlined in section 19.5.7 on page 95.



IMPORTANT!

Ensure the chain is lubricated as outlined in section 19.22 on page 133

19.6.7 - Right Hand Draper Belt 1 Replacement

1. Loosen the two lock bolts and lock nut then loosen the belt tension via the adjustment bolt.

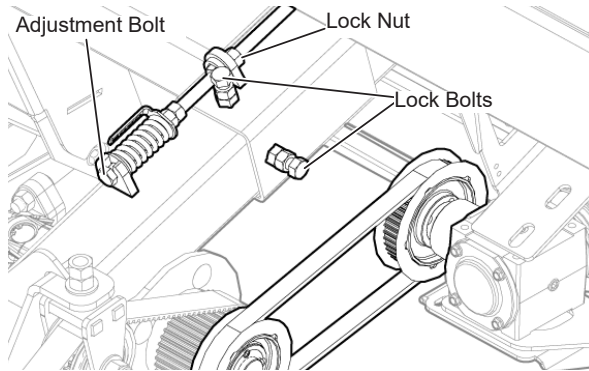


Fig. 166 - Remove RH draper belt 1 to access drive belt



IMPORTANT!

It is critical that the belt is correctly tensioned and that the two lock bolts are securely tightened prior to operating the header.

2. Install the new right hand draper belt 1 then re-tension both right hand draper belts as described in section 19.5 on page 91.

19.6.8 - Right Hand Draper Belt 2 Replacement

1. Loosen the tension by loosening the lock nut, adjustment nut and 4 lock bolts in order to allow the gearbox to shift along the 4 L shaped slots on the bottom.

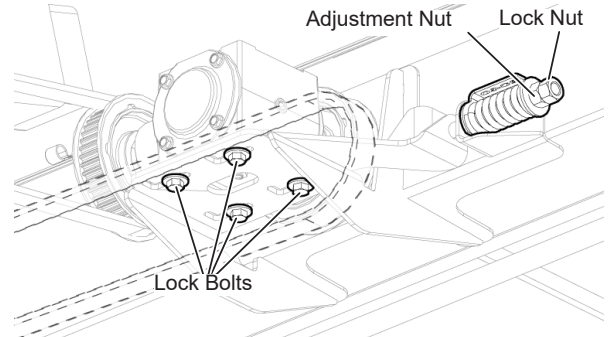


Fig. 167 - Right draper belt 2 tension adjustment

2. Slide the gearbox along the L slots to allow room for removing the belt.
3. Remove the old belt and install the new belt.
4. Move the gearbox back to its original position on the L slots then retighten the 4 lock bolts, lock nut and adjustment nut.
5. Readjust the belt tension as shown in section 19.5 on page 91.

19.7 - Drapers

19.7.1 - Side Draper Belt Tension

NOTE:

In wet or heavy crop conditions, additional belt tension is required to prevent belt slippage. Increase belt tension only when necessary as belt life, tracking, and drive components are affected.

Proper tension must be maintained on the draper to prevent slipping on the drive rollers. The draper tension is adjusted via the idler roller.

1. Engage the power unit drive with the engine at low idle.
2. Observe from the cab how drapers are tensioned.

WARNING!

Lower the header, raise the reel and engage cylinder locks. Shut down the engine before exiting the cab.

3. Take note of the tension indicator position against the spring.
4. Unlock the handle to release tension.
5. Turn the adjuster bolt until the indicator is aligned with the washer.
6. Lock the handle and tighten the lock nut.

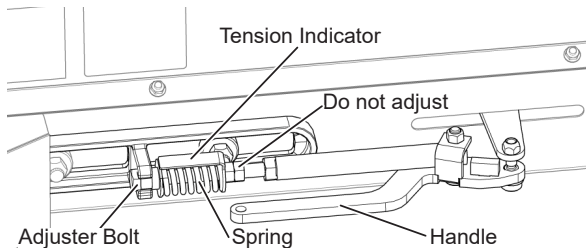


Fig. 168 - Draper Tension Adjustment

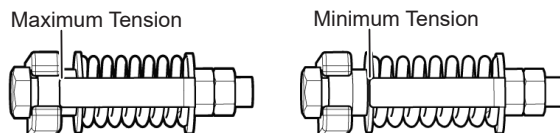


Fig. 169 - Tension Indicator Position

7. Restart the Combine and repeat the running test. Re-adjust as necessary.

19.7.2 - Side Draper Belt Tracking

If your draper drive roller is not properly aligned, the draper may start rubbing the side of its channel causing improper crop flow and equipment damage.

1. Inspect the draper for proper tracking. When not properly tracking, the draper will pile up against the edge of the draper channel.

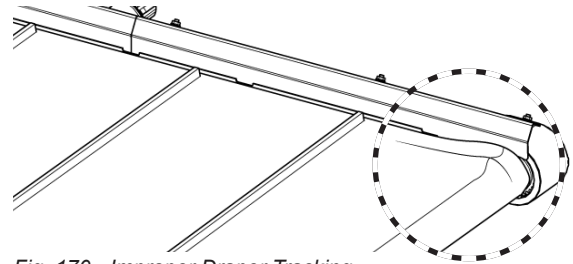


Fig. 170 - Improper Draper Tracking

2. The drive roller must be at exactly 90 degrees to the draper frame.

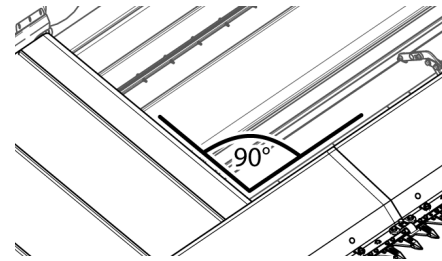


Fig. 171 - Draper tracking/alignment

3. If adjustment is required, first release the draper belt tension handle, then loosen the lock nut and reposition the drive roller via the adjustment nut. Re-engage the draper tension handle.

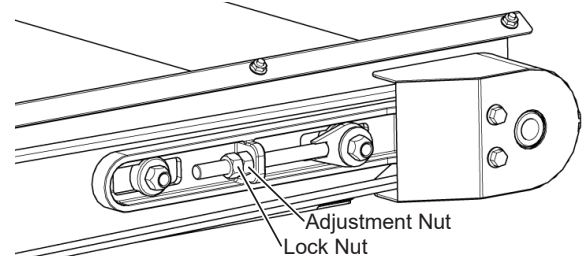


Fig. 172 - Center Draper Tension Adjustment

4. Once satisfied with drive roller alignment, re-tension the draper drive belt as described in section 19.5.

19.7.3 - Center Draper Belt Tension



WARNING!

When working under platform always lower hydraulic cylinder safety stop onto cylinder rod to prevent platform from lowering.



NOTE:

For difficult crops, additional belt tension may be required. Increase belt tension only if necessary as belt life, tracking, and drive are affected.

To tension the center draper:

1. Locate the two tensioners on each side of the center draper on the underside of the header.
2. Loosen the 1/2" UNC Jam Nut, hold the lock nut with a wrench to prevent it from moving and turn the adjuster bolt until the tension indicator is in line with the end of the spring. Retighten the jam nut.
3. Repeat the process for the adjuster bolt on the other side of the center draper.

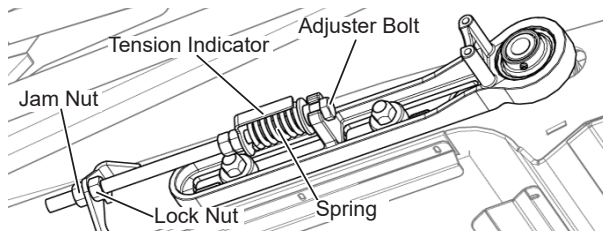


Fig. 173 - Center Draper Tension Adjustment

19.7.4 - Draper Installation

1. Make sure that the quick release lever is in the open position prior to installing the draper on the deck.
2. Place draper bundle on the top of deck runners, and unroll with the slats facing up. Be sure to align the v-guide with the notched side of the roller toward the rear end of the header.
3. Wrap draper around one of the rollers and feed draper into the bottom runner of the deck. The bottom runners will support the draper, and prevent it from hanging down.
4. Pull draper through bottom runner, and wrap around the other roller. Pull the ends of the draper together. Install a connector bar to close the joint.

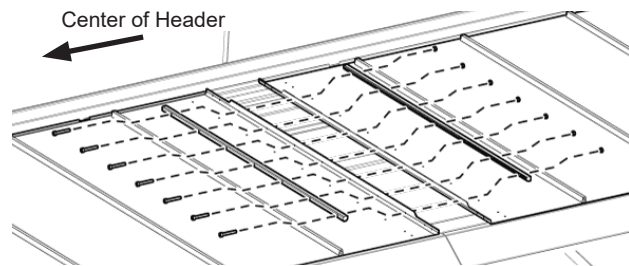


Fig. 174 - Installing Draper Connector Bar

5. The bolts for the connector bar should be installed with the bolt heads facing the center of the header. This helps prevent the crop being caught on the screws. Complete the installation by adjusting tension and tracking as described on the following pages.
6. Once the draper is installed on the draper deck, close the quick release lever (shown on following page) to apply tension to the draper.

19.7.5 - Draper Tensioner Setup

If the draper tensioner is ever disconnected, or if you suspect the tensioner has become misconfigured, and needs to be set up again, please follow these instructions:

1. Loosen the adjustment and lock nuts next to the spring indicator.

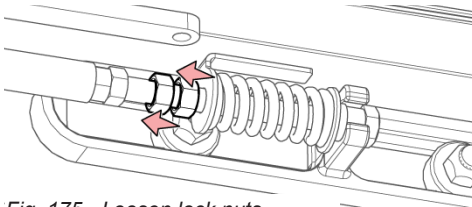


Fig. 175 - Loosen lock nuts

2. Push the indicator, spring, washer and ferrule tube up against the shoulder bracket as shown below. Ensure the ferrule tube is fully seated in the bracket.

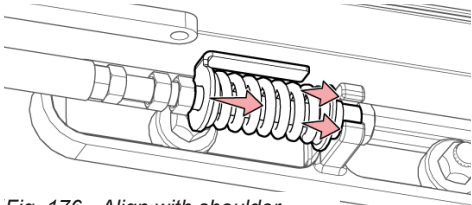


Fig. 176 - Align with shoulder

3. Tighten the first 1/2" nut until it JUST starts to compress the spring. Do not overtighten.

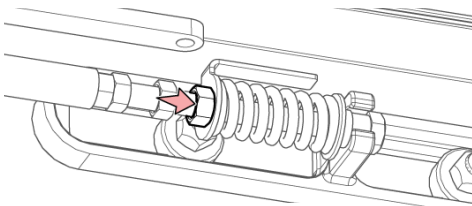


Fig. 177 - Tighten nut until snug

4. Tighten the lock nut up against the adjustment nut.

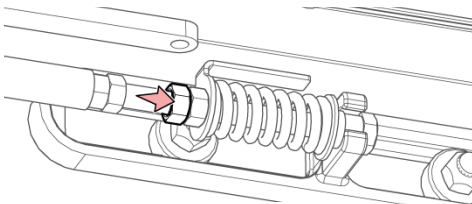


Fig. 178 - Tighten lock nut

5. Proceed to section 19.7.1 on page 102 to re-tension the draper.

19.7.6 - Remove & Install Center Draper Belt

1. When installing the center draper belt, you should first remove the bottom cleanout panel to allow access under the draper.

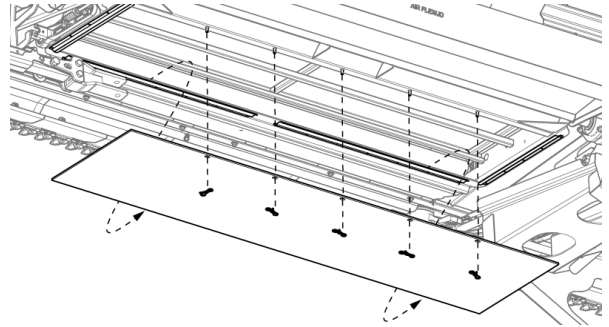


Fig. 179 - Remove Center Draper Cleanout Panel

2. Unpack and unroll the new draper on top of the center feed deck.

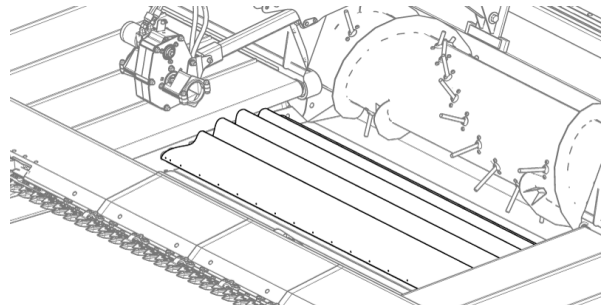


Fig. 180 - Unroll new draper onto center deck

3. Feed the draper around the rollers, under the center deck and back out the top.
4. Connect the ends of the draper together using the connector bars. Insert the bolts from the feed auger side of the center draper deck.

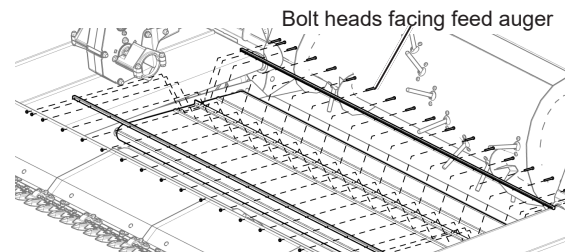


Fig. 181 - Secure Draper With Connector Bars

19.7.7 - Draper Splicing

Regular maintenance will extend the life of your draper. Tears in the draper can be caused by poor tracking, foreign materials, or from careless use. If only a portion of draper is damaged, a splice may be installed.

Before beginning this repair, you will need an additional connector bar set and a section of draper that is at least 2 1/2" longer than the piece to be removed.

NOTE:

If the damaged section is not near an existing connector bar, you will need 2 connector bar sets and a piece of draper 5" longer than the damaged piece.

1. Raise the header and install lift cylinder locks. (If this is too high for comfortable access, the table can be set on blocks or lowered to the ground.)
2. Raise the reel and place the locks on the lift cylinders to prevent the reel from falling.

WARNING!

Engage the park brake on the combine, shut the engine down, and wait for all moving parts to stop before leaving the cab.

3. Release the draper tension.
4. Remove draper connecting bar.
5. Correct the cause of the draper failure.
6. The draper should be cut midway between two slats to provide ample material for the new join. With a measuring tape, measure, and mark a line six inches from a slat on a good portion of the draper. Place a board directly under the line you have marked, to support the section you will be cutting. With a utility knife and a straight edge cut the draper along the marks. This cut must be accurate, and square, to assure that the draper will track properly. Repeat this step on the other side of the damaged area.
7. Lay the piece you have removed flat, and measure the width, then add 3 1/2 inches.

The total will be the length of material you require for the splice. (If you need two new connector bar sets, add 5".)

8. To mark the location for holes, measure 1" in from each edge to be joined, and mark a line parallel to the cut edges.
9. On each of these lines, measure 1-1/8" from the front edge of the draper, and make a mark for the first hole.

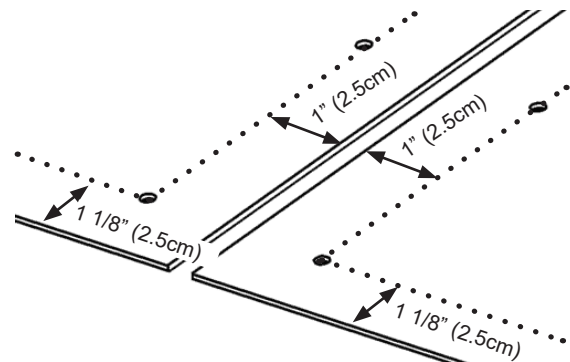


Fig. 182 - Draper Splice Hole Measurements

10. Drill 3/16" holes through each mark.
11. Place the backs of the draper together, lining up these drilled holes.
12. Place a connector bar on each side, line up the holes, and secure with a machine screw and nut.

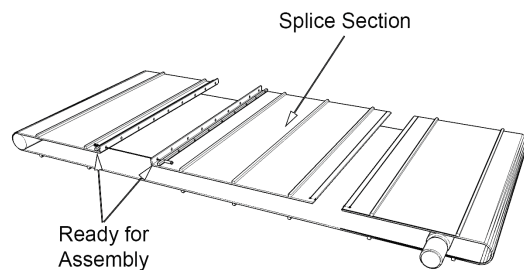


Fig. 183 - Draper Splice

13. Match up the edges of the draper and drill a hole at the opposite end on the 1" line, using the connector bar as a template. Insert a screw and secure in place. Drill the remaining holes through the holes in the connector bar, insert screws and secure.
14. Adjust draper tension. Trim all joins to 1/2" above connector bar.
15. Adjust tracking.

19.8 - Reel

19.8.1 - Set Reel Safety Stops

End reel arms: Raise reel completely and engage safety stops on reel lift cylinders at each end of the header. The stop must be snapped over cylinder with the lock pin.

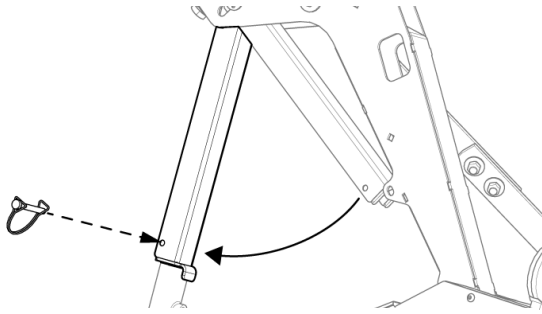


Fig. 184 - Reel Arm Safety Stop

Center reel arm: Pin reel arm in front of arm on center reel arm tower to hold it up mechanically.

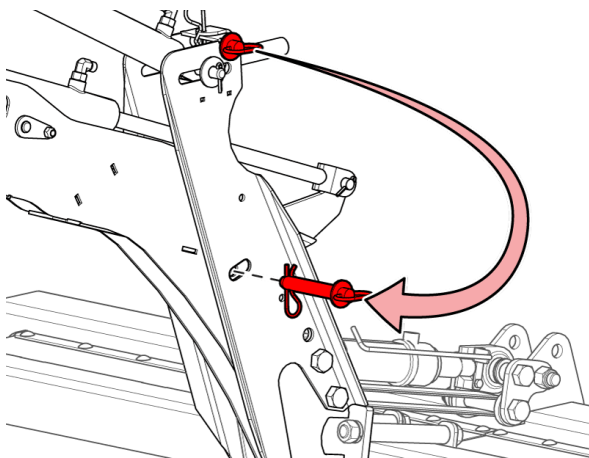


Fig. 185 - Center Reel Arm Lock Pin

19.8.2 - Rephasing Reel Cylinders

If cylinders become unevenly extended, retract the cylinders and hold the cylinder retract switch for a few seconds to remove air from the system, then fully raise the reel and hold to allow the rest of the cylinders to rephase.



IMPORTANT!

In order to fully extend RH reel lift cylinder the header reel must be running. Failure to run the header when you fully lift the reel will result in the RH reel lift cylinder only extending partially.

19.8.3 - Automatic Reel Speed

The reel speed sensor is calibrated for various combines. Additional calibrations can be added via software updates. Auto reel speed only works when auto header height is active.

NOTE:

Automatic control will not work if ground speed is less than 1 km/h (0.62 mph). When driving the header slowly through a lodged crop, shut off auto control and use manual speed controls.

It is recommended that the reel speed be set 10-20% faster than combine ground speed.

19.8.4 - Reel Speed Sensor Adjustment

The reel speed sensor (and all other speed sensors) must be adjusted so the face of the sensor is touching the rotating trigger, **then unscrew about 1 turn (1 turn = 1mm)**. The rotating trigger is the teeth on the small reel drive gear. This is adjustable externally with no disassembly required. When adjusting the speed sensors, unplug the connecting wire so the body of the sensor can spin in or out without twisting the wire. When done, tighten the jam nut with a 3/4" wrench and reconnect the wire.

0.9-0.95mm
(0.035-0.037")

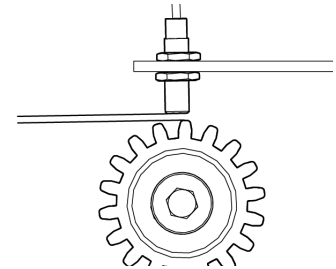


Fig. 186 - Speed Sensor Spacing

19.8.5 - Combine PPR Settings for HB Reels

Different combine makes expect different reel speed sensor pulse per rotation (PPR) values. The Honey Bee reel speed sensor outputs 48 PPR. In order to obtain accurate reel speed values on the combine console, you must ensure your combine expects the correct PPR value.

19.8.5.1 - John Deere Combines

1. With the key switch turned on, select the main menu icon on the combine display.

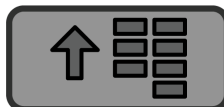


Fig. 191 - Menu Icon

2. Select the Message Center icon.



Fig. 192 - Message Center

3. Enable Technician Mode:

- Select the Addresses Icon



Fig. 193 - Addresses

- Hold down the check mark button on the combine control panel for 30 seconds then release it.



Fig. 187 - Check Mark Button

- A 'T' should appear next to the device drop down box indicating that Technician Mode has been activated.

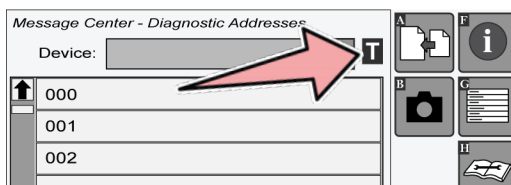


Fig. 188 - T Symbol

4. Select the drop down box, scroll down and select LC1.001.

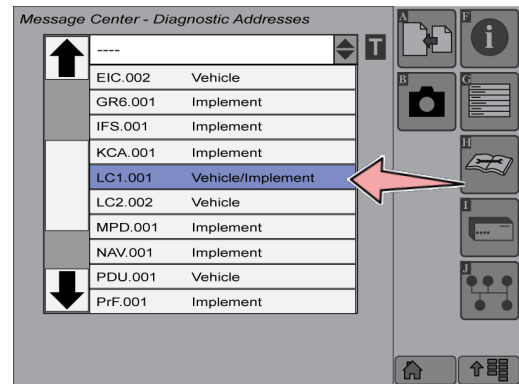


Fig. 189 - Select LC1.001 from dropdown box

5. Scroll down and select address 160.

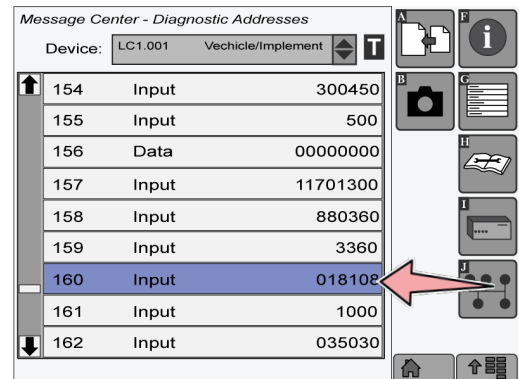


Fig. 190 - Select 160

6. The default value for address should not be displayed on the screen (018108 or 11018108). The 018 portion of this number represents the default PPR for your combine. Select the Accept icon.



Fig. 194 - Accept Icon

7. Replace the 018 section of the number with 048 to accurately reflect the Honey Bee Reel PPR. The number should now be 048108 or 11048108. Press the Accept icon again to accept your changes.

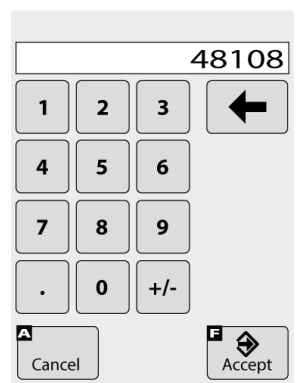
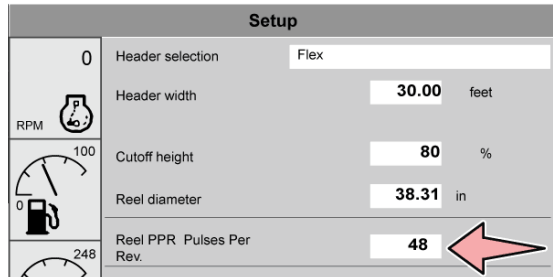


Fig. 195 - Update with 48 ppr

19.8.5.2 - AGCO (Gleaner, Massey, Challenger)

Enter the value of 48 in the Reel PPR field on the combine setup screen.






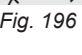
Setup	
0	Header selection Flex
RPM 	Header width 30.00 feet
	Cutoff height 80 %
	Reel diameter 38.31 in
	Reel PPR Pulses Per Rev. 48

Fig. 196 - Enter 48 for PPR on Setup Screen

19.8.5.3 - CNH & LEXION

No modifications are required

19.8.6 - Minimum Reel Height and Leveling Reel

Proper setting of minimum reel height will protect against unexpected reel movements that can place reel fingers in contact with cutterbar.

1. Set the header to Rigid mode and wait for the knife to become fully rigid (up to 15 minutes).
2. Fully lower table. Fully lower reel.
3. Adjust finger pitch so the tips of the reel fingers are as close to the cutter bar as possible with the adjustment ring at middle position (5 for HB reels, or 3 for the CAM reel). See section 16.4 on page 65.

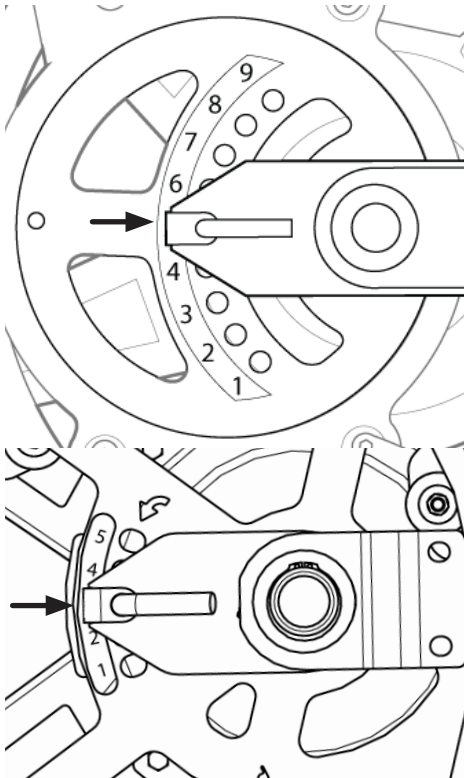


Fig. 197 - Reel finger pitch adjustment

4. Position reel fingers as close to cutterbar & feather plates as possible, using fore/aft cylinders.

5. Using a wrench to rotate the 3/4" UNC adjustment bolts on the left and right reel arms, raise or lower reel. Adjust each shaft so the clearance between the reel fingers and cutterbar is a minimum of 1 1/2" (3.8 cm) along full length of reel.

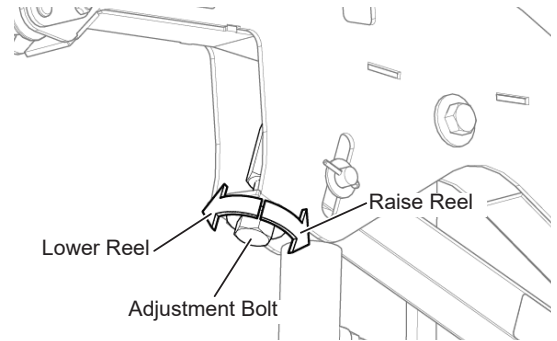


Fig. 198 - Reel Height Adjustment Bolt

6. Adjust the center reel arm height (if applicable) by removing the pin, releasing the lock and turning the 1" UNC adjustment nut as shown below.

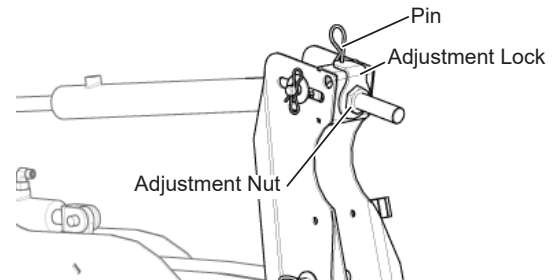


Fig. 199 - Center Reel Arm Height Adjustment

STOP IMPORTANT!

Note that reel timing adjustments will change the reel finger-cutterbar clearance. The operator needs to be aware of finger clearance at all times.

19.8.7 - Reel Finger Replacement

WARNING!

To avoid serious injury, completely raise reel, shut OFF engine, set parking brake, and remove key. Engage reel lift safety stops,

1. Using a pair of slip-joint pliers, grab, squeeze and pull to remove the spacer next to the reel finger to be replaced.

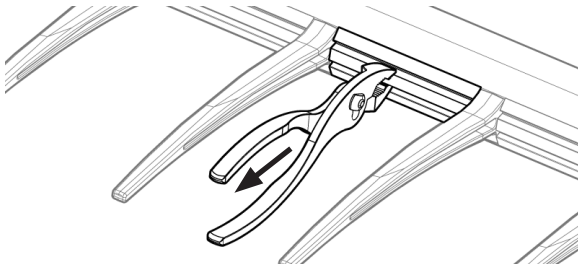


Fig. 200 - Remove reel finger spacer

2. Twist the reel finger counter-clockwise and pull to remove it from the channel.

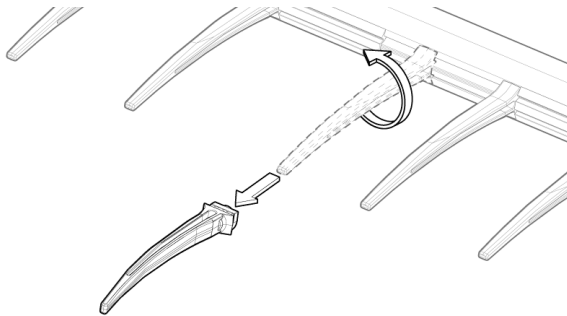


Fig. 201 - Twist clock-wise and pull to remove finger

3. Reverse the above procedure to install the new reel finger.

NOTE:

If multiple reel fingers are being replaced, only 1 spacer must be removed, the remaining spaces can be slid side to side while installing the fingers.

NOTE:

The spacers are not required to secure the reel fingers to the reel bat and may be left out if custom finger spacing is desired.

19.8.8 - Control Ring Rollers (HB Reel)

Before the beginning of each season, the reel rollers should be checked and adjusted if necessary to ensure the reel remains centered.

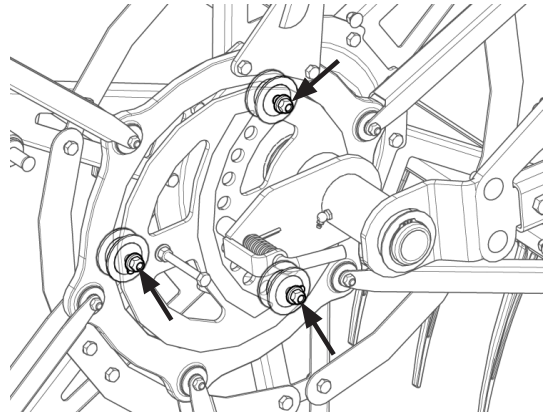


Fig. 202 - Reel control ring rollers

WARNING!

To avoid serious injury, completely raise reel, shut OFF engine, set parking brake, and remove key. Engage reel lift safety stops,

1. Rotate the reel until the rollers are at the tightest location. This will assure that the rollers will not bind as the reel turns.
2. Adjust the rollers by loosening up the mounting bolt on each roller (indicated by arrows in illustration)
3. Move all the rollers so they have light pressure on the inner diameter of the control ring.
4. Adjust all three rollers so they are in the same location in each of their slots.
5. Tighten the mounting bolts.
6. Roll the reel to make sure that there continues to be light pressure on the rollers.
7. Repeat for the other end of the reel.

NOTE:

If one roller must be adjusted then all the rollers must be adjusted to the same position in the slots.

19.9 - Knife

19.9.1 - Knife Drive Component Torque Recommendations

When servicing the knife drive components, refer to the illustration below for recommended torque values.

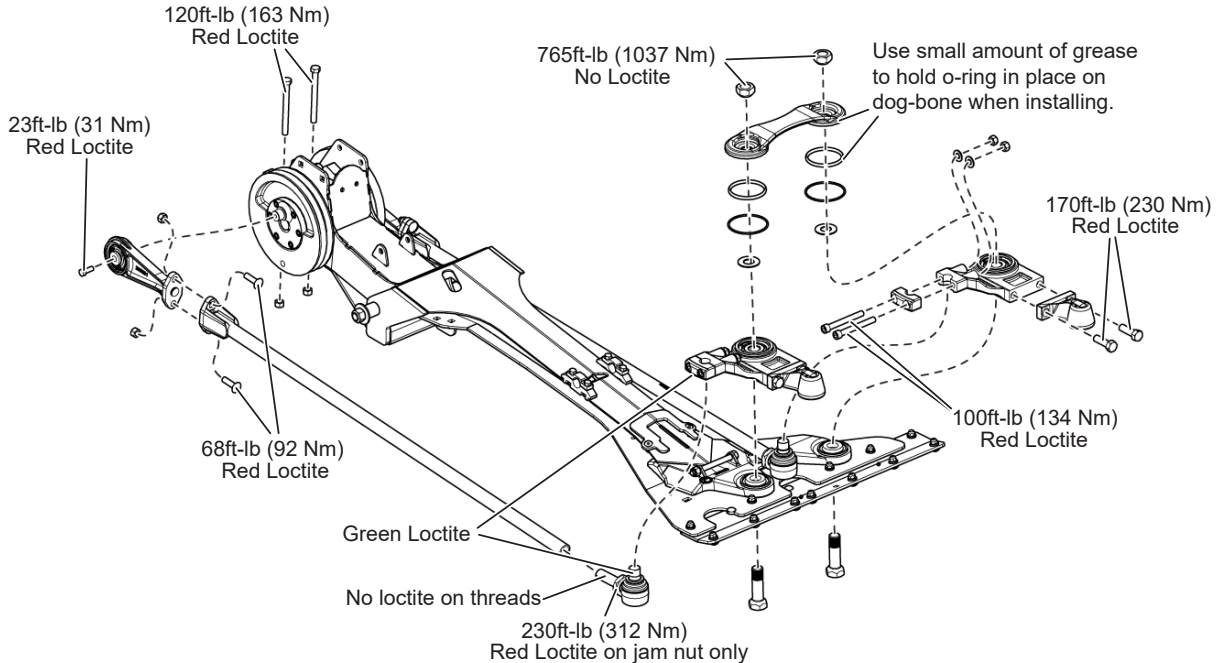


Fig. 206 - Knife Drive Torque Recommendations (see section 22.8 on page 157)

19.9.2 - Set Cutterbar Knife Timing



WARNING!

Ensure the combine feeder house is full raised and all safety locks are secured in place. Failure to do so can result in injury or death.

1. Disconnect the drive shaft PTO from the knife drive system to allow you to move the knives freely while aligning.
2. Remove the shield covering the flywheel.
3. Run a 1/2" (1.27 cm) bolt or rod through the alignment hole of the two flywheels to keep them aligned with each other.

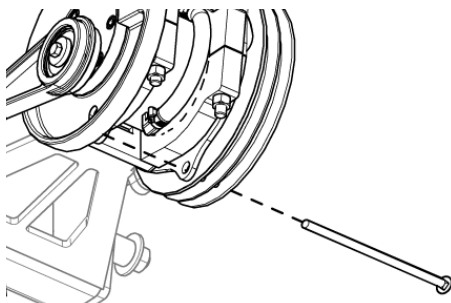


Fig. 203 - Align Drive Plates with a Bolt



IMPORTANT!

It is important to use a 1/2 inch bolt/rod to lock the timing without any slop. Too much 'wobble' will result in a bad timing adjustment.

4. Remove the feather plate from above the two knife heads on the cutter bar.
5. Check alignment of bell cranks and cutting sections to determine if timing adjustment is necessary.

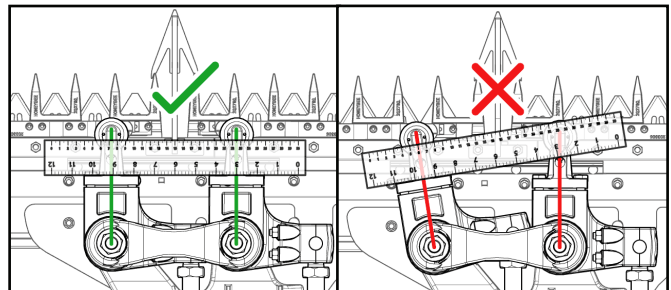


Fig. 205 - Correct Timing - bell cranks are parallel

Fig. 204 - Incorrect Timing - bell cranks are not parallel

6. Loosen the drive arm jam nuts

7. Disconnect the two knife drive arms from each of the two knife drive flywheels as illustrated.

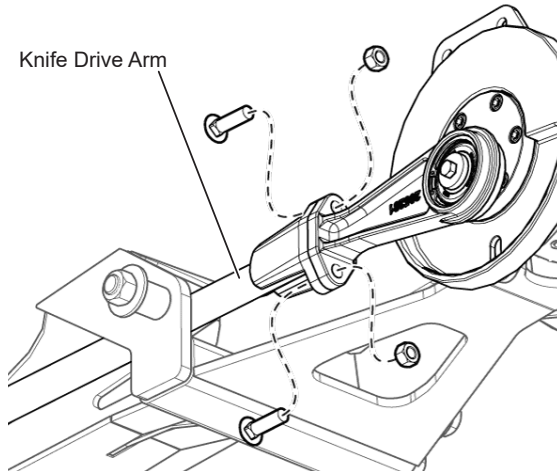


Fig. 207 - Disconnect both Knife Drive Arms

8. Adjust the knife drive arm length until the bell cranks and cutting sections are aligned. Screw/unscrew until tight.
9. Once aligned, tighten the right-hand arm 3 additional turns.

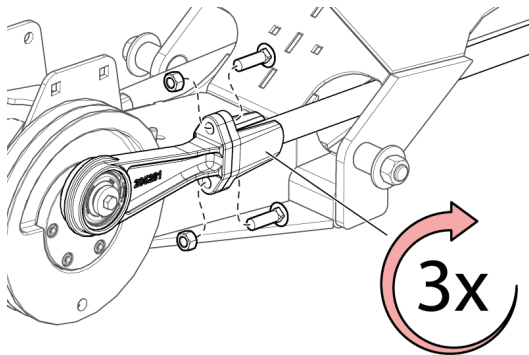


Fig. 208 - Tighten right hand knife drive arm 3 turns

10. Re-attach the knife drive arms to the flywheels..
11. Re-torque everything.
12. Remove the bolt/rod that was inserted in the alignment hole on the flywheels.
13. Reinstall the safety shields & ensure the knife belt is properly tensioned.

14. Run the header for a few minutes and observe the point between the left and right knife heads. Ensure the two knives do not contact each other during operation. If necessary, repeat steps 1 through 13.

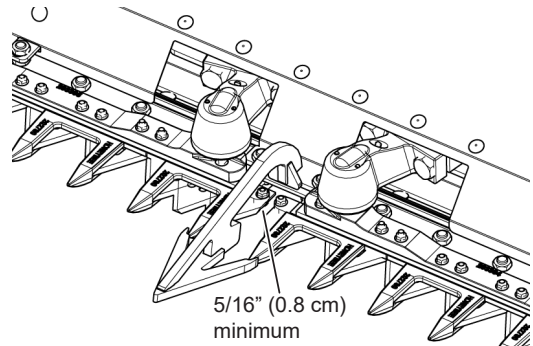


Fig. 209 - Check clearance (low profile cutting system shown)



IMPORTANT!

Remember to remove the rod or bolt that was temporarily installed in the flywheels to keep them aligned.



DANGER!

Keep yourself and bystanders away from moving parts! Failure to do so will result in injury or death.

19.9.3 - Knife Head Featherplate

If the knife head featherplate is ever removed, ensure it is pulled as far forward as possible before securing in place.

If the featherplate is pulled back when installed, the knife heads may impact it causing damage.

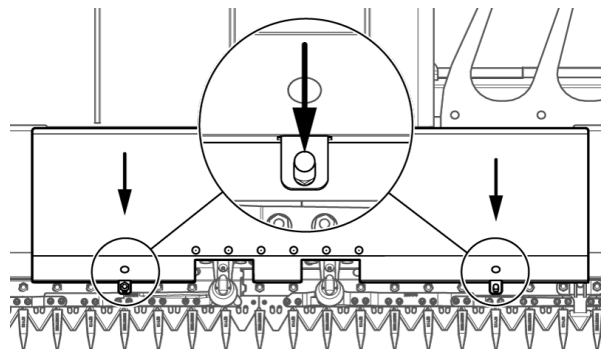


Fig. 210 - Knife head featherplate

19.9.4 - Installing Low Profile Guards

When installing knife guards, insert a pry bar between the guard and the knifeback and apply pressure so the guard is forward as possible before tightening the guard nuts and bolts. Keep applying pressure to the pry bar while tightening so the knifeback has maximum space.

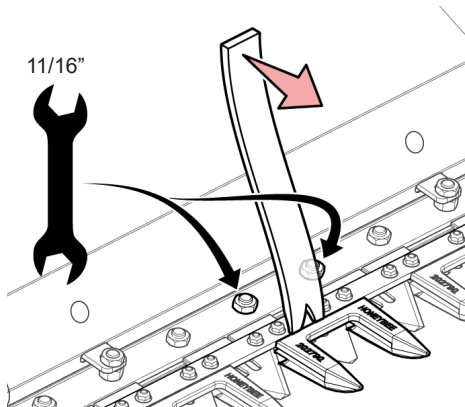


Fig. 211 - Pry guard forward when tightening

19.9.5 - Set knifehead bearing assembly fore/aft position

1. Disconnect the drive shaft PTO from the knife drive system to allow you to move the knives freely while aligning.
2. Remove the shield covering the flywheel.
3. Run a 1/2" (1.27 cm) bolt or rod through the alignment hole of the two flywheels to keep them aligned with each other.
4. Remove the feather plate from above the two knife heads on the cutter bar.
5. Install the bearing housing onto the knife.
6. Put Red (High Strength) Thread Locking Compound on gooseneck mounting bolts and loosely connect gooseneck to bell crank.
7. Start installing shims between the gooseneck and bell crank and watch for clearance between the knife assembly (knifeback on top) and guards. Install enough shims so that the clearance between the knife assembly (knifeback on top) and the center guards is roughly 1-32" to 1/16" (see image below).

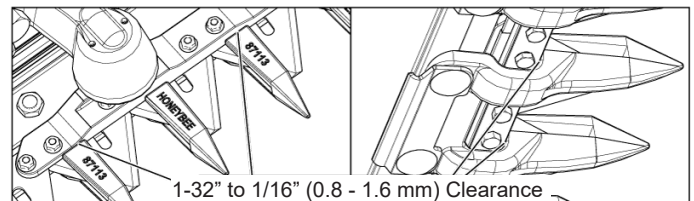


Fig. 212 - Knife Guard Clearances

8. Once fore/aft position of knife head bearing assembly is set, tighten mounting bolts to 170 ft-lbs.
9. To prevent binding between the left and right knife at the overlap and/or excessive wear caused by the sickle sections pressure onto the guards, check clearances between the sickle sections and the guards and also between the left hand and right hand knives at the overlap. If excessive pressure is found please readjust vertical position of knifehead bearing assemblies. Also over greasing of the knifehead bearings can cause excessive pressure as well. To relieve grease pressure in the knifehead bearings depress the check-ball in the grease fittings.

19.9.6 - Knife Section Service Kit

Service kits are available from your Honey Bee dealer to replace individual sections, or complete knife.

Kit contains all necessary hardware, sections and instructions.

19.9.7 - Cutterbar Maintenance

For optimal performance and durability of knife:

- Inspect for broken or improperly adjusted hold-downs.
- Inspect for dull or broken knife sections
- Inspect for dull, worn or broken guard cutting edges.
- Inspect for excessive binding between knife sections and guards. Binding can be caused by bent/misaligned guards components or organic build-up from high resin crops such as lentils..
- Inspect knife head and knife drive alignment with first guard slot to ensure binding is not present in these areas.
- Ensure cutting system turns freely by rotating the drive by hand (drive shaft removed). If system does not turn freely, repeat inspection.

19.9.8 - Replacing the Knife

WARNING!

Knife sections are sharp!

Wear protective gloves when handling knives.

Raise platform completely and engage feeder house safety stop. Raise reel completely and engage reel lift cylinder safety stops. Shut OFF engine, set parking brake, remove key.

1. In order to replace either the left or right hand knife, you must first remove the feather plate from above the knife head bearings.

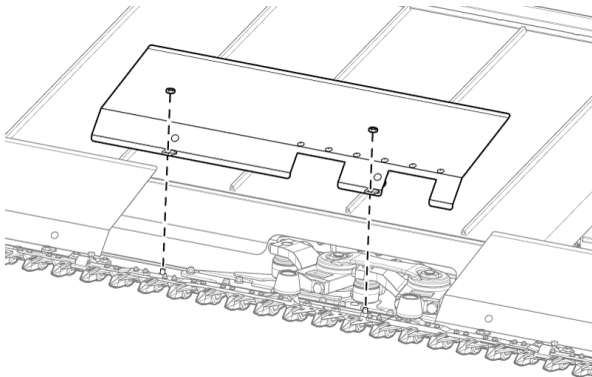


Fig. 213 - Remove feather plate over knife bearings

2. Remove the grease fitting from the bearing housing that you will be removing in the following sections (right or left)

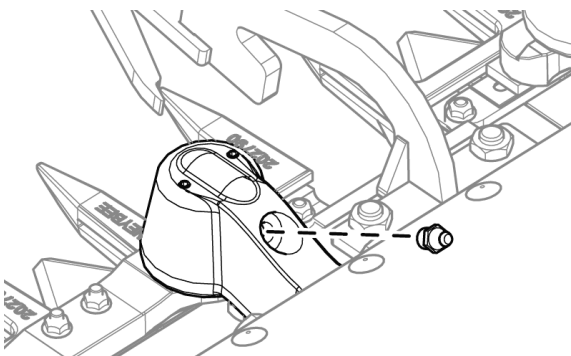


Fig. 214 - Temporarily remove grease fitting

19.9.8.1 - Removing the Right Hand Knife

1. Remove 4 to 6 guards from around the right hand knife head.

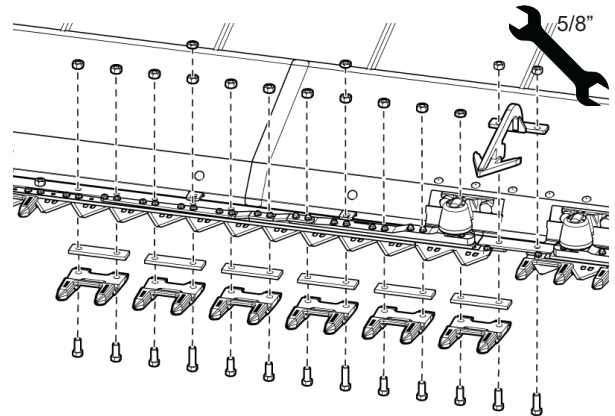


Fig. 215 - Remove guards around right hand knife head

2. Remove the bearing housing from the right hand knife head.

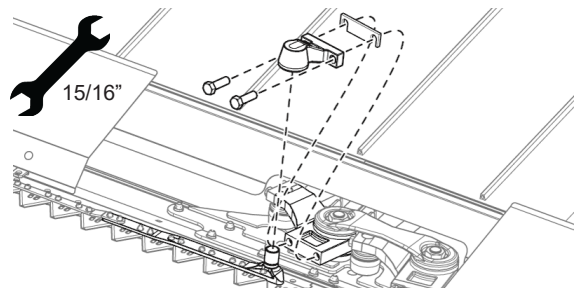


Fig. 216 - Remove bearing housing from right hand knife head

IMPORTANT!

There are a number of loose components within the knife head that you must take care to keep in place when reassembling. Take special precautions not to disturb the needle bearings within.

3. Wearing protective gloves, lift and pull knife head out from guards.

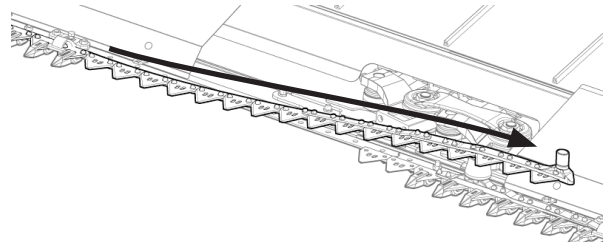


Fig. 217 - Lift and pull out the right-hand knife

NOTE:
It is easiest to lift the right-hand knife to remove it from the cutter bar but you may require a second person to help support the knife to prevent it from getting caught on the guards.
If performing this procedure alone, you may wish to lower the knife in order to pull it out of the cutter bar.

19.9.8.2 - Removing the Left-Hand Knife

1. Remove 4 to 6 guards from around the left hand knife head.

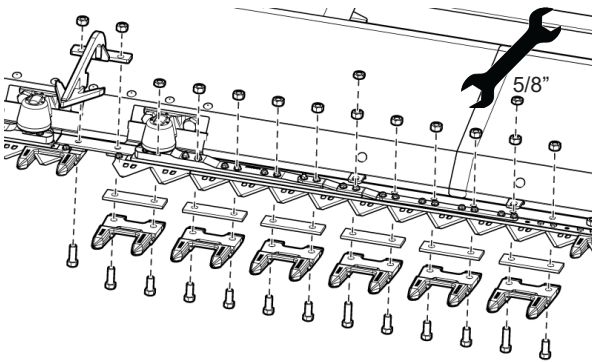


Fig. 218 - Remove guards around the left hand knife head

2. Remove the bearing housing from the left hand knife head.

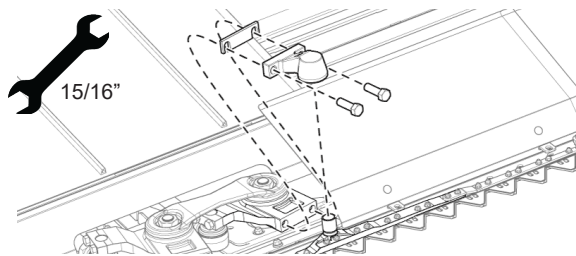


Fig. 219 - Remove left hand knife head bearing

STOP IMPORTANT!
There are a number of loose components within the knife head that you must take care to keep in place when reassembling. Take special precautions not to disturb the needle bearings within.

3. Wearing protective gloves, lower and pull the knife head out from guards.

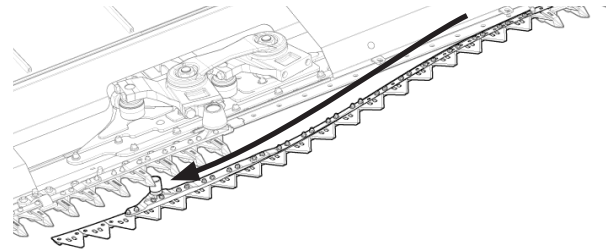


Fig. 220 - Lower and pull out the left hand knife

19.9.8.3 - Installing the new knife (left or right)

1. Slide the new knife into place.
2. Pack the bearing housing with grease, taking care not to dislodge the needle bearings.
3. Push the bearing housing back into place by hand only. Do not use a hammer or damage will result.
4. Check the bearing housing to ensure it is properly seated. When properly installed, the shiny bearing should not be visible below the housing.

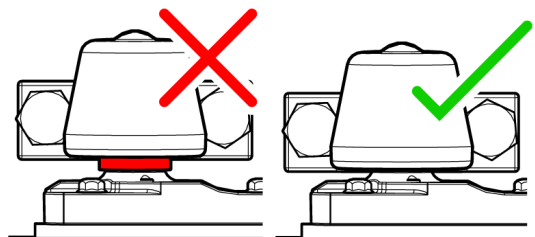


Fig. 221 - Ensure bearing is properly seated

5. Bolt the bearing housing in place and reinstall the grease fitting. Torque the two bolts to 170 ft-lb (230 Nm).
6. Use a grease gun to add 1-2 pumps of grease to the bearing housing via the fitting.
7. Reinstall the 4 to 6 guards
8. Reinstall feather plate section above the knife heads.

STOP IMPORTANT!
Lubricate the knife head as described in section 19.22.13 on page 136.

19.9.9 - Inspect Knife Sections

WARNING!

Wear protective gloves when handling knives.

Raise platform completely and engage feeder house safety stop. Raise reel completely and engage safety stops on reel lift cylinders. Shut OFF engine, set parking brake, and remove key.

Periodically inspect the cutting sections for worn or bent cutting teeth and replace them if necessary. Worn or bent cutting teeth result in reduced cutting performance and increased power requirements.

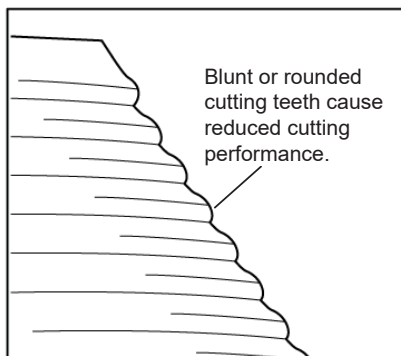
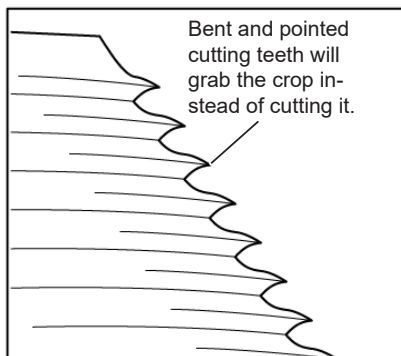
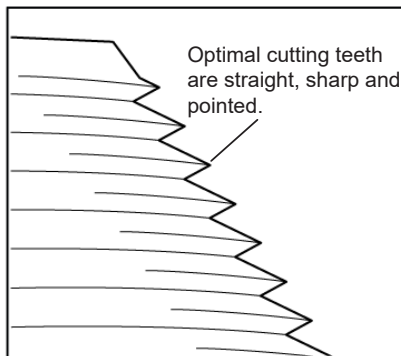


Fig. 222 - Cutting Section Wear

19.9.10 - Remove and Install Knife Sections

WARNING!

Wear protective gloves when handling knives.

Raise platform completely and engage feeder house safety stop. Raise reel completely and engage safety stops on reel lift cylinders. Shut OFF engine, set parking brake, and remove key.

Position knife so hold-downs and guard tangs do not inhibit section removal.

1. Remove the guard from over the knife section to be replaced

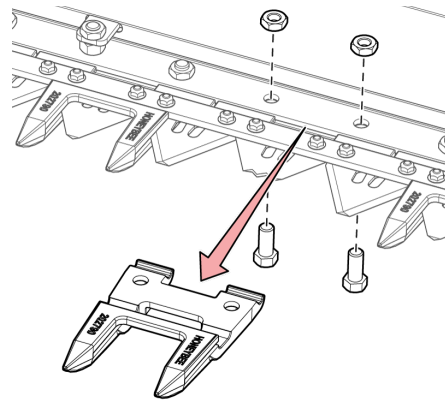


Fig. 223 - Remove guard

2. Remove the nuts from the damaged knife section and discard the section.
3. Replace any damaged cap screws, you may need to move the knife side to side to make the bolt holes accessible.
4. Install knife section and nuts.

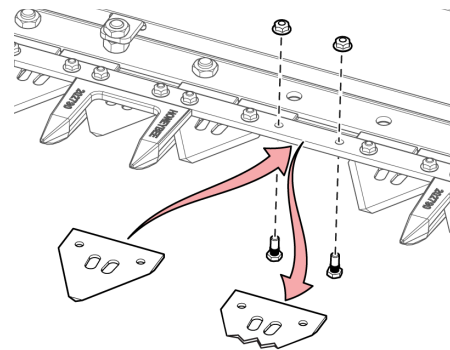


Fig. 224 - Replace cutting section

19.9.11 - Repair Broken Knife Back

If the knife breaks during use, repairs can usually be made with a connector bar. Most often the knife back will break across a sickle section bolt hole. To use the connector bar properly, the damaged section needs to be cut out and/or a section of knife removed.



IMPORTANT!

If the knife breaks close to the knife head, remove that section of knife, reconnect the knife head, and then add the new section to the far end of the knife where there is less mechanical stress. The join in the two knives must be located midway under a sickle section, not in the gap between two sickle sections.

When you encounter this type of break, inspect the knife for dull/damaged guards, and sections, and gummy build-up which might cause binding.

19.9.12 - Connector Bar

The connector bar is used to repair a broken knife back. The break should be cut out and ground smooth. A cutting section should bridge the break and the connector bar should be installed on the top of the knife back as shown below.

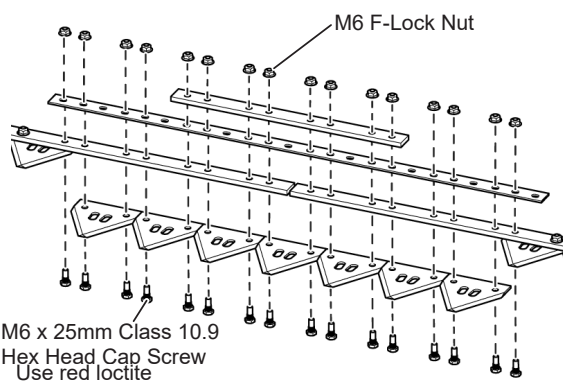


Fig. 225 - Connector Bar

Knife sections must be installed on the bottom side of the knife back.



NOTE:

If a knife repair kit is required, please reference part number 95132 when contacting our parts department.

19.10 - Dividers

19.10.1 - Divider Skid Ski

The divider skid ski is located under the crop dividers on each end of the header. Over time they may become worn or damaged. The skid skis can be replaced as shown below.

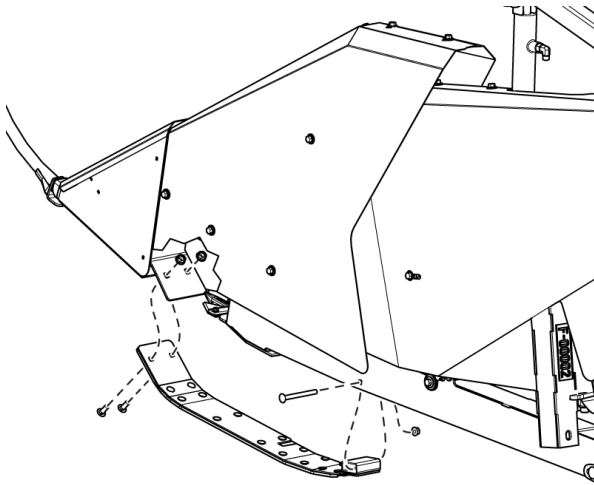


Fig. 226 - Divider skid ski

19.10.2 - Crop Divider Extensions

The crop divider pipe is used in most situations but can be replaced by the crop divider snub extension when it is desirable to reduce divider contact with the crop (such as for harvesting soybeans).

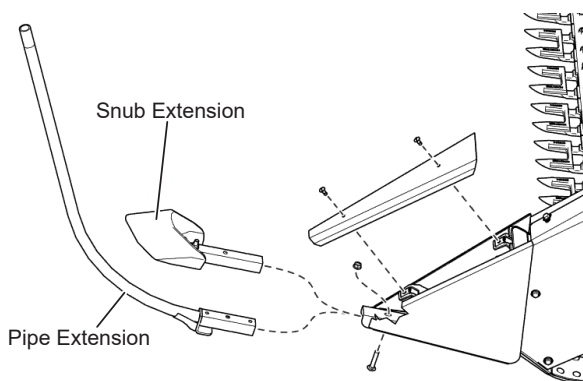


Fig. 227 - Crop Divider Extensions

19.10.3 - Divider Handle

The crop divider handle is located inside the crop dividers as shown below.

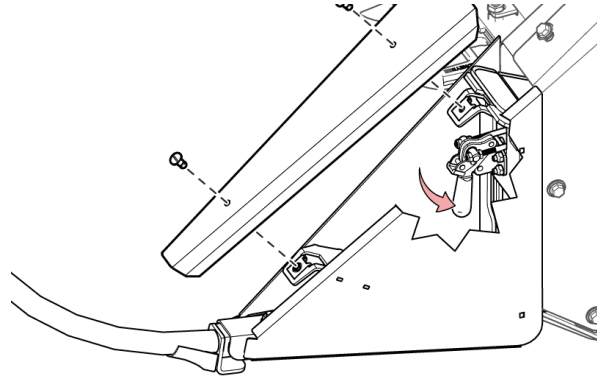


Fig. 228 - Crop divider handle

Over time, the crop divider handle may become loose. If this occurs, the handle can be tightened via the two nuts indicated below. If adjusted, be sure to tighten the lock nuts as well.

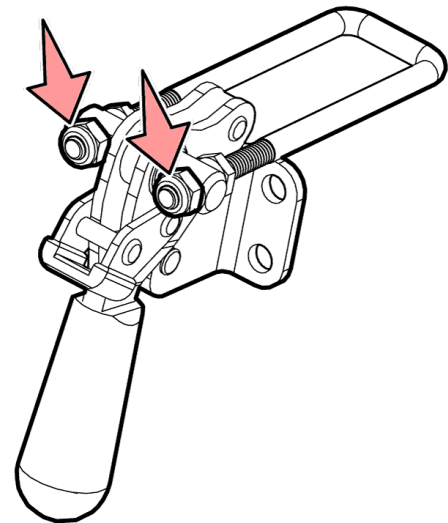


Fig. 229 - Divider handle adjustment

19.11 - Feed Auger

19.11.1 - Finger Timing Adjustment

In most circumstances, the feed drum finger timing should be set so the fingers are fully extended at their most forward position (timing handle in middle hole as shown below)

To adjust the finger timing:

1. Remove the lock bolt.
2. Adjust the Feed drum finger timing handle as necessary:
 - Move the feed drum finger timing handle up to move the fingers down and toward the rear of the header.
3. Re-install the lock bolt.

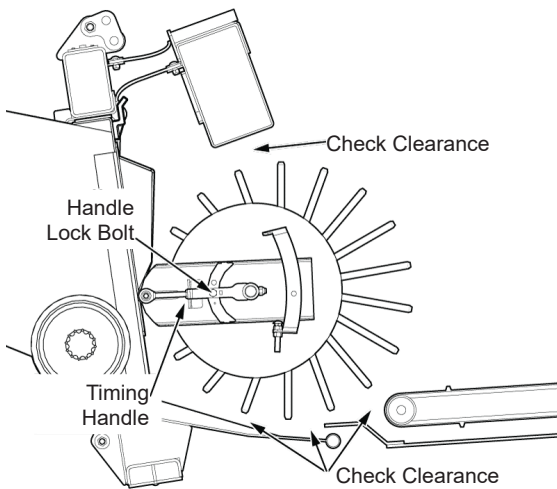


Fig. 230 - Feed Auger

IMPORTANT!

After adjusting finger timing, ensure that the auger fingers will not contact the underside of the upper tube or feed pan unintentionally during operation. Failure to allow proper finger clearance will result in equipment damage.

19.11.2 - Feed Auger Drum Position

To move the feed auger drum forward or backwards, simply adjust the indicated bolt on the left and right ends of the feed auger. The flighting of the feed auger drum should clear the face plate stripper plates by 1/2" (1.27 cm).

IMPORTANT!

Ensure that the Feed Auger fingers will not contact anything unintentionally during operation. Failure to do so WILL result in equipment damage.

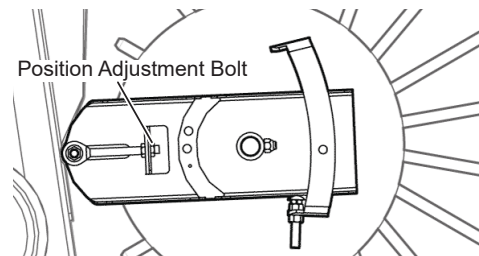


Fig. 231 - Feed Auger Drum Position

19.11.3 - Feed Auger Interior Access

To access the interior of the feed auger drum, rotate the drum until the access hatches are visible, remove the two 5/16" Torx screws holding each hatch in place, then pull the hatches away.

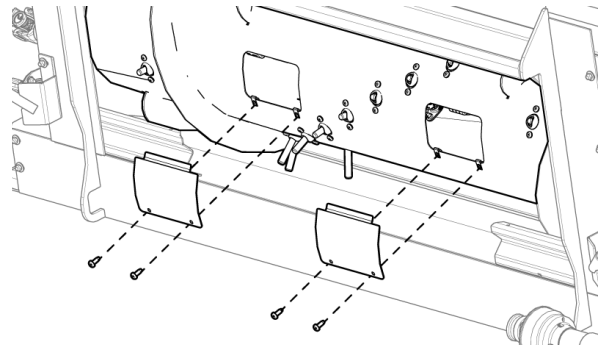


Fig. 232 - Feed Auger Drum Interior Access

19.11.4 - Remove and Install Feed Auger Fingers

Rotate the feed auger drum so the fingers are fully extended toward the front of the header. Open the access hatch and remove the indicated screw to release the finger to be replaced.

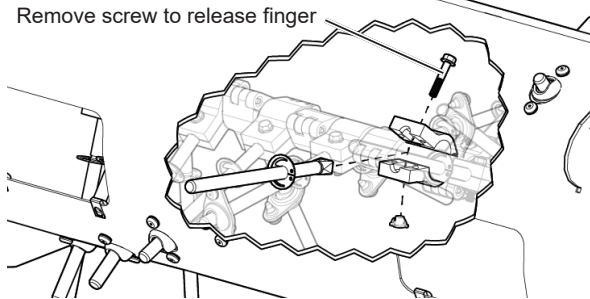


Fig. 233 - Replace Feed Auger Fingers

NOTE:

In some cases, rocks can push fingers into the drum. This can often be fixed by opening the access panel and prying the finger back into the finger guide.

19.11.5 - Remove and Install Feed Auger Finger Guides

Only attempt to replace the feed auger finger guides for fingers that are fully retracted into the feed auger drum.

Remove the two 5/16" Torx screws securing the finger guide.

Remove the finger as described in section 19.11.4 on page 121.

Reinstall the finger along with the new guide.

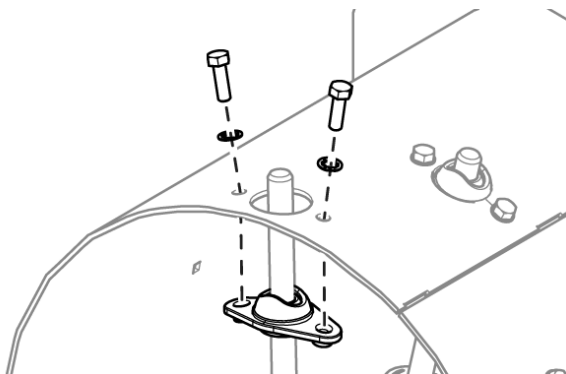


Fig. 234 - Replace Feed Auger Finger Guide

19.12 - Hydraulic Tilt Cylinder

The optimal tilt cylinder position is achieved when the cutterbar guards are parallel to the ground when the tilt cylinder is retracted. This allows safe operation in steep terrain while allowing you to tilt the header forward as needed for operation on flat terrain.

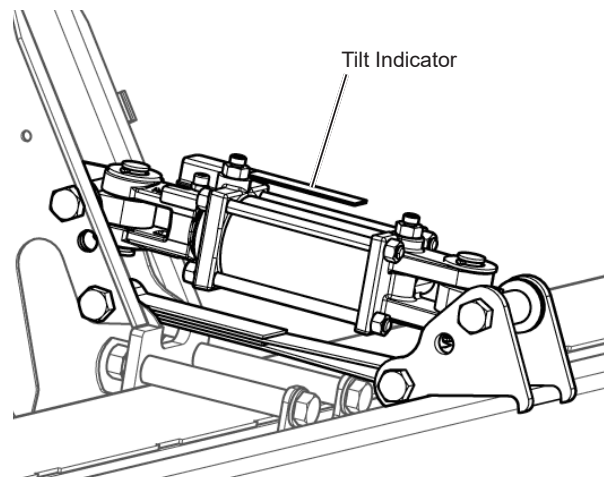


Fig. 235 - Hydraulic Tilt Cylinder

CAUTION!

Take note of the holes in which the tilt cylinder is mounted. Do not change the mounting position of the cylinder or damage to your equipment may result.

WARNING!

Ensure the safety strap is properly installed, and undamaged prior operating the header

19.13 - Center Rock Trap and Draper Cleanout

The center deck features a rock trap behind the cutterbar. This is hinged at the front edge and held closed with a locked lever arm. To open the rock trap door, lift/push the T handle towards the center draper and the door will swing down/open. Clean out by pushing debris into the opening. When done, pull the T handle towards you and press down to lock it.

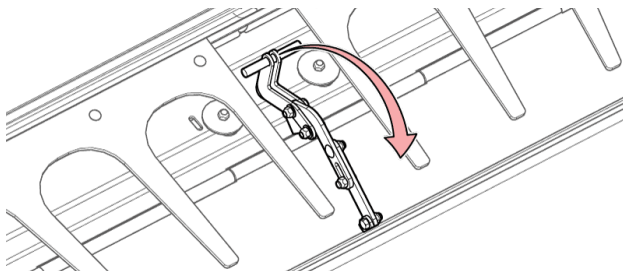


Fig. 236 - Open Rock Trap at Center Draper



IMPORTANT!

Always close the center rock trap door before operating the header.

The draper cleanout is located under the center deck draper. It is held in grooves on the side and front of the panel. The rear edge is held in place by a series of pins. For quick cleanout, remove only the center 3 pins, pull down the rear edge of the plastic and reach in to clean out debris. For a full inspection, all pins are removed and the plastic sheet pulled out to the rear. Ensure pins are loaded from front to back to prevent inadvertent removal by stubble, etc.

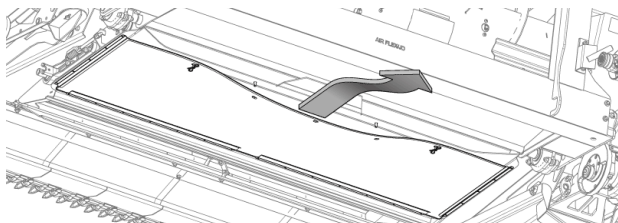


Fig. 237 - Open Center Cleanout to Remove Debris



NOTE:

The draper cleanout panel can be removed for harvesting most crops without negatively impacting header operation. Seed growers may want to leave it in place for slow speed harvesting.

19.14 - Open Side Shield

To gain access to the drive shafts and belts on the left side of the subframe, you must open the side shield. To open the side shield, simply remove the pin locking it in place, lift slightly and swing open.

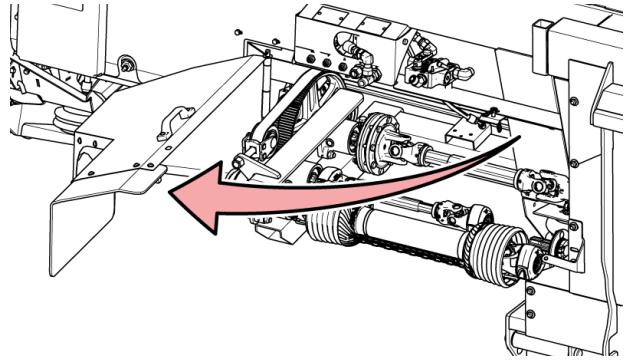


Fig. 238 - Open Side Shield

19.15 - Drive Shaft Maintenance

There are five drive shafts located on the left and right sides of the subframe as shown below. Periodically inspect each drive shaft for signs of wear or damage. Ensure the drive shaft shields are in place and their chains are secured. Clean away debris from each drive shaft.

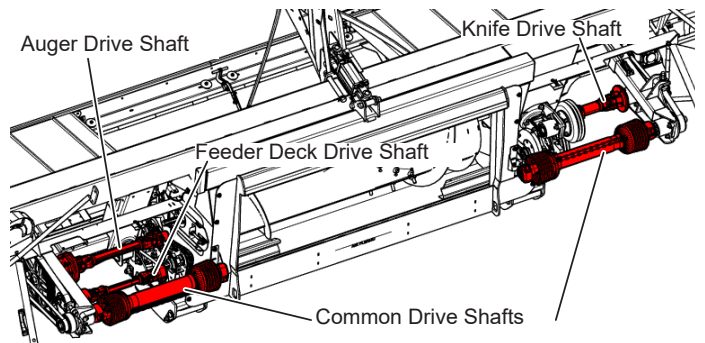


Fig. 239 - Drive shaft locations



WARNING!

Shut OFF engine, set parking brake, and remove key before servicing drive shafts.

For drive shaft lubrication information, see section 19.22.10 on page 134.

19.16 - FLEX Header Height Control Sensors

After transport or long periods of operation, you may need to adjust the FLEX HHC sensor arms and sensor bar.



IMPORTANT!

Ensure the header is in RIGID mode and the air system is pressurised to 90-125 psi when adjusting the sensor tabs.



WARNING!

Fully raise the header from the ground, shut OFF the combine engine, set parking brake, and remove key before exiting the cab. Engage the feeder house cylinder safety locks to prevent the header from suddenly dropping.

From the factory, the sensor tabs should be contacting their respective rollers.

Ensure that the Sensor Bar sensors are all oriented so the sensor arm and sensor wire are both pointing in the same direction as shown in the illustration below.

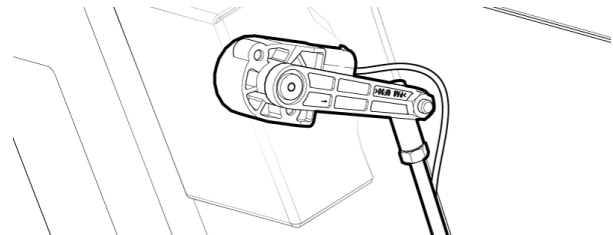


Fig. 240 - HHC Sensor Alignment

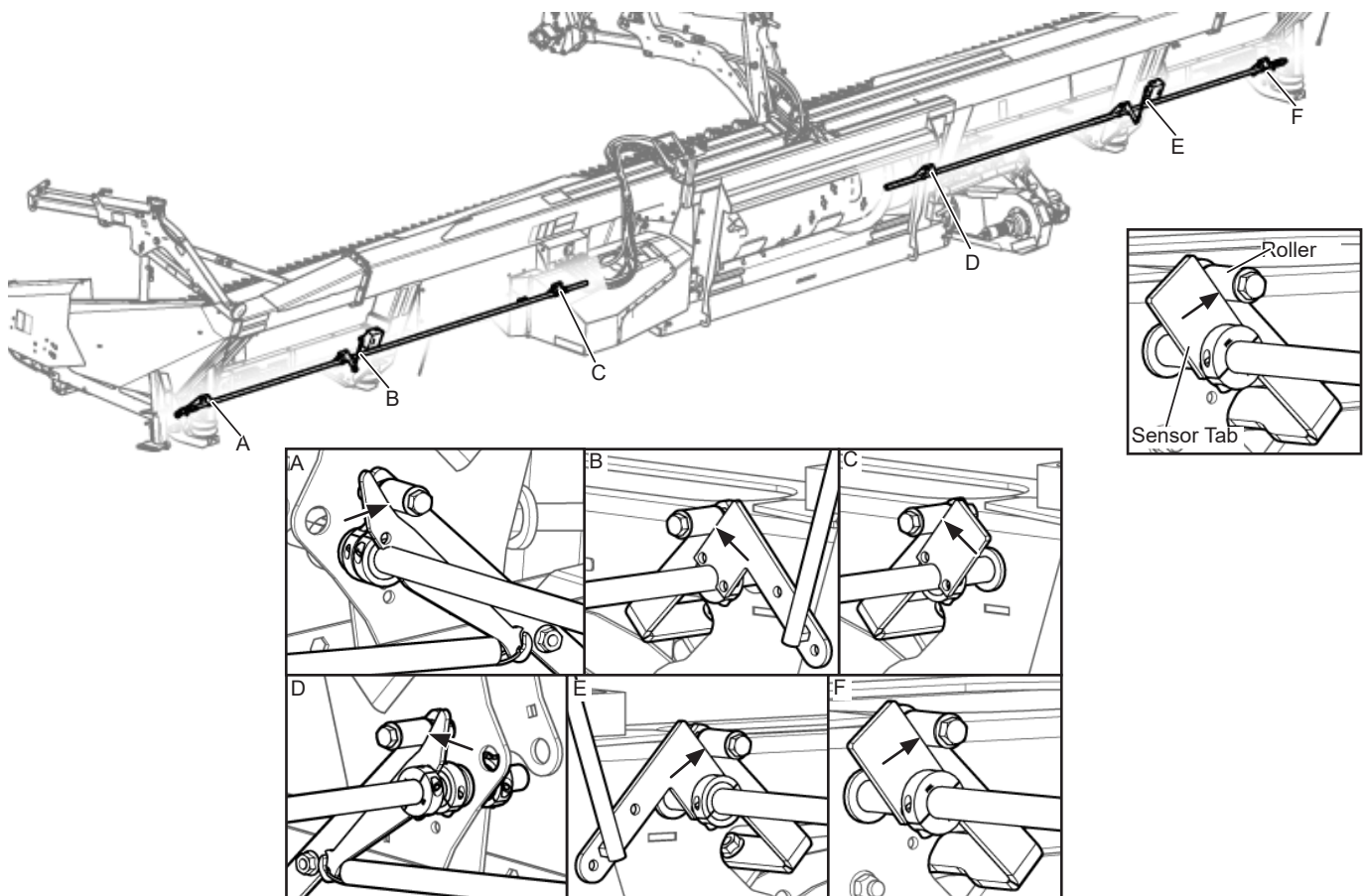


Fig. 241 - FLEX HHC sensor contact positions

19.16.1 - FLEX Header Height Sensor Tab Adjustment

1. Lift the header off the ground and pressurize the air system to above 100 psi.
2. Ensure all sensor tabs are in full contact with the rollers on the paddles (see A, B, C, D, E, F on previous page).

19.16.2 - FLEX HHC Sensor Range

Ensure that the Sensor Bar sensors are all oriented so the sensor arm and sensor wire are both pointing in the same direction as shown in the illustration below.

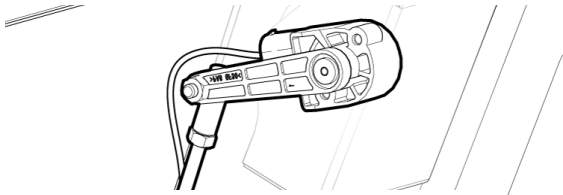


Fig. 242 - HHC Sensor Alignment

The sensor arm must not extend beyond its valid range of approximately 120° at the end of the sensor to which the wire connects. If the sensor arm extends beyond this range it will return invalid values which will prevent auto header height control from functioning.

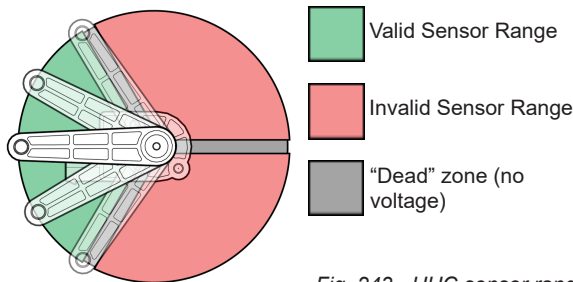


Fig. 243 - HHC sensor range

If the header height sensors do not show 1.5V when the cutter bar is fully compressed, then the sensors need to be adjusted. See section 17.5 on page 80.

1. Ensure the cutter bar is fully compressed.
2. Locate the header height sensors (Fig. 307 on page 153).
3. While having someone watch the header height sensor voltage on the Automatix Lite display, loosen the two bolts holding the sensor in place and rotate the sensor on its bracket until 1.5V is shown on the display.

4. Tighten the two bolts to secure the sensor in the new position.
5. Repeat this process for the other sensor.

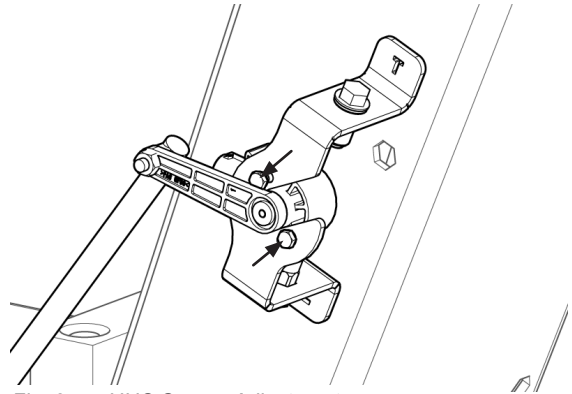


Fig. 244 - HHC Sensor Adjustment

STOP IMPORTANT!

Changing the sensor position on its bracket requires the combine to be calibrated again

6. Set the feeder house angle following the instructions in section 15.4 on page 58
7. Verify the float settings in section 15.5 on page 59.
8. Position the combine and header as shown in section 15.6 on page 60.
9. Set the raise and drop rates as shown in section 15.7 on page 60.
10. Calibrate the combine as shown in section 15.8 on page 60
11. Verify the other combine settings in section 15.12 on page 61

19.17 - RIGID Subframe Header Height Sensors

For the subframe sensors it is best to adjust with header attached to the combine and pressurised to an appropriate psi for your header width (this ensures the header is sitting hard on the subframe and the air bags are not inflated). The subframe sensors should return a voltage ranging between 1.5 and 3.4 volts through their full range of motion.

If necessary, the sensors can be adjusted to provide the correct voltage range.

WARNING!

Shut OFF the combine engine, set parking brake, and remove key before exiting the cab.

1. Locate the subframe sensors on the left and right ends of the subframe.

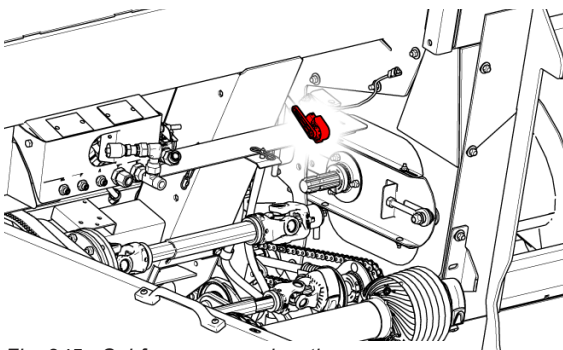


Fig. 245 - Subframe sensor location

2. Loosen the two bolts securing the sensor and slightly rotate the sensor body to adjust the output voltage. Re secure and check the sensor output via the Automatix Lite display.

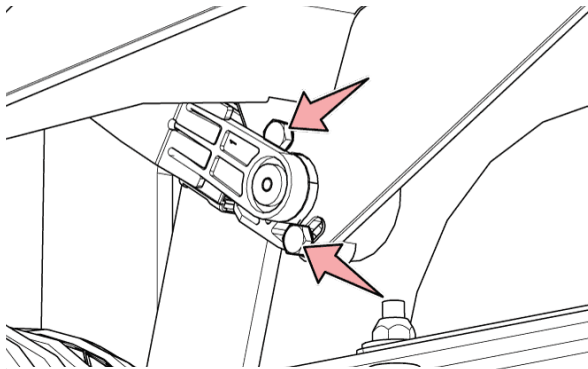


Fig. 246 - Subframe sensor adjustment

19.18 - Checking for Air Leaks

If the air system does not maintain pressure, there may be an air leak. To check for leaks, fill a spray bottle with soapy water and spray the following locations while watching for air bubbles. Replace all leaking fittings.

Check the fittings on the air tank and air manifold located just to the left of the feeder house.

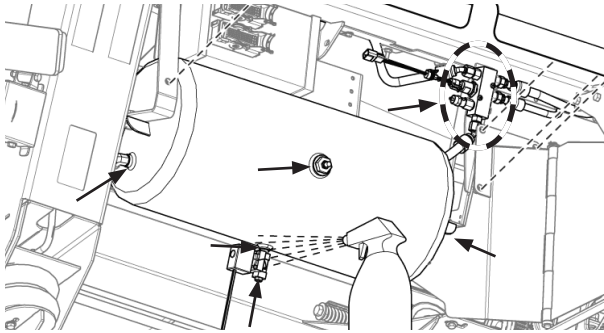


Fig. 247 - Check Air Tank for Leaks

Check the 'T' fittings located on the front of each strut (between the struts and the draper back panels)

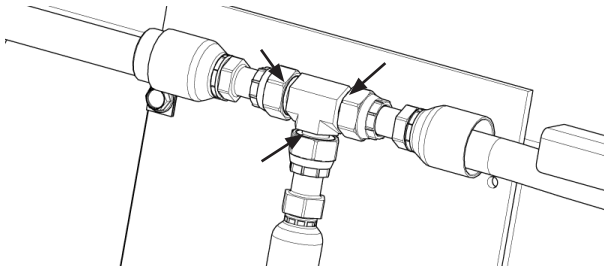


Fig. 248 - Check T Fittings On Front Side of Struts for Leaks

Check the airbag fittings located at the bottom rear of each strut.

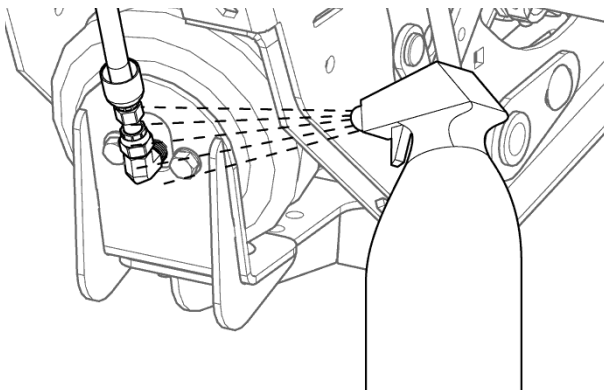


Fig. 249 - Check Airbag Fittings for Leaks

Check the fittings on the gauge wheel air bags for leaks.

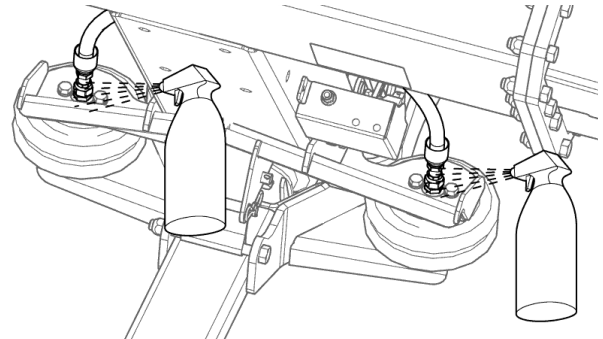


Fig. 250 - Check gauge wheel air bags for leaks

Check the fittings on the subframe air bags for leaks.

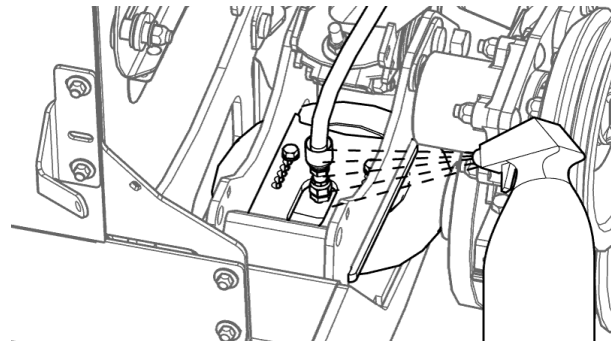


Fig. 251 - Check sub frame air bags for leaks

19.19 - Air Compressor Inlet Air Filter

The air filter on the air compressor can become clogged with debris over time which can cause premature air compressor failure.

Check and clean the air filter once a year in order to avoid equipment damage.

The air compressor is located to the right of the air tank, underneath the cover plate.

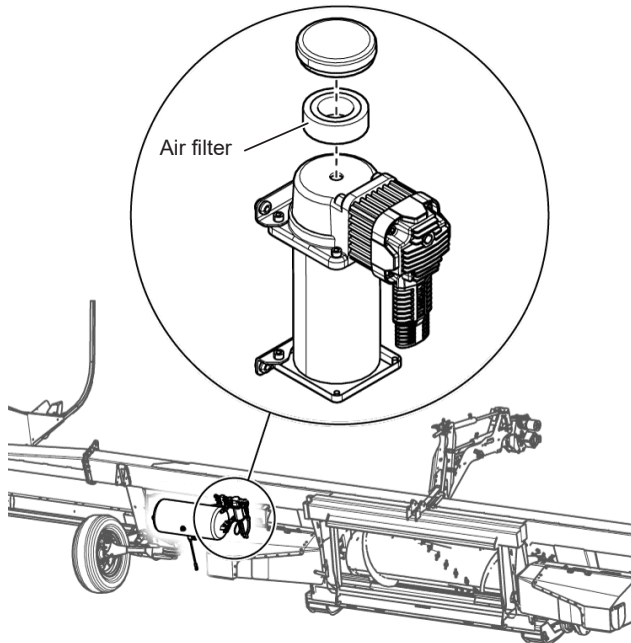


Fig. 252 - Air compressor inlet air filter

19.20 - Subframe Air Bag Adjustment

If the header is running crooked or unbalanced the air bags on the subframe can be adjusted either fore or aft to level out the header:

To lift one side of the header, the air bag on the low side can be moved forward to help lift the frame.

The figure below shows the 6 available adjustment holes (Red arrows). The starting position for the air bags from the factory is shown by the blue arrows.

When adjusting the air bag position, you must adjust the bolt on both the top and bottom of the airbag.

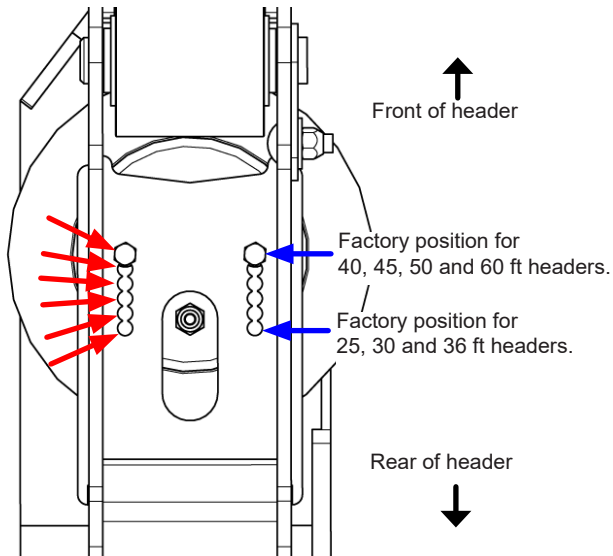


Fig. 253 - Subframe air bag positions (Top of airbag shown)

To adjust airbag positions:

1. Park the header on a firm, level surface.
2. Lower the header air pressure to 0 psi.
3. Raise the header

WARNING!

Shut OFF the combine engine, set parking brake, and remove key before exiting the cab.

4. Engage the feeder house safety stops.

WARNING!

Hydraulic failure will result in sudden equipment drops. Always use mechanical safety stops when working under or around the header.

5. Loosen the bolts on the top and bottom of the subframe airbag to be adjusted.
6. Move the air bag to the appropriate position by hand and re-tighten the bolts.
7. Pressurize the header to an appropriate psi for your header width and desired cutting mode (see section 16.7 on page 70 for RIGID mode, and section 16.6 on page 68 for FLEX mode)
8. Check the balance of the header and repeat this procedure if additional adjustment is necessary.

19.21 - Skid Shoes

19.21.1 - Skid Shoe Alignment

If one of the skid shoes comes out of alignment with the other skid shoes and are not running at the same level, their hydraulics can be rephased to bring them back in line.

To rephase the hydraulics:

1. Fully extend the skid shoes (go to position 8) via the combine cab controls and hold the extend button for 10 seconds to allow the cylinders to properly phase.

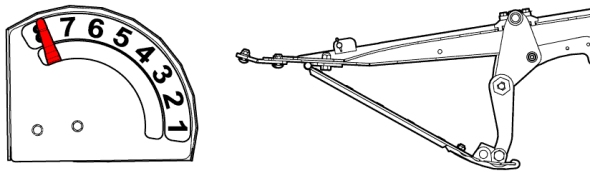


Fig. 254 - Fully extend the skid shoes and hold for 10 seconds

2. Fully retract and extend the skid shoes to ensure they are properly phased (all skid shoes extend and retract while maintaining alignment with each other).



IMPORTANT!

If one skid shoe does not hold its position after phasing then the internal piston seals may be leaking. They can be replaced by ordering the seal kit HB#27751.

19.21.2 - Skid Shoe Wear Points

Each skid shoe assembly includes multiple wear points which are designed to be easily replaceable. These wear points should be inspected once a year and replaced as necessary.

There is 3 wear sleeves (HB#216481) at the pivot points and one main 5/8" x 9" GR8 mounting bolt (HB#29856).

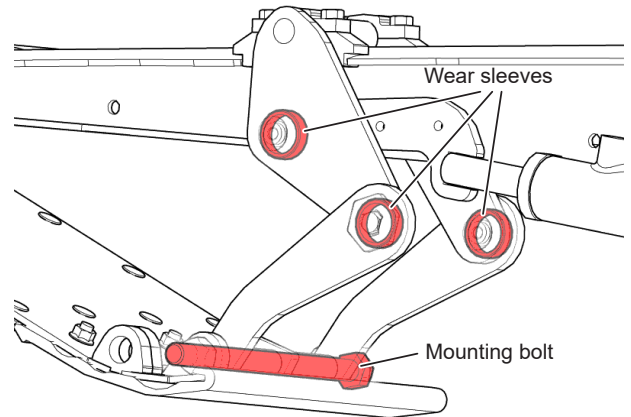


Fig. 255 - Skid shoe wear points

19.21.3 - Skid Shoe Cylinder Adjustment

To ensure the skid shoes go through their proper range of motion, the bolt by the rubber shock absorber should be adjusted and the skid shoe range of motion should be checked.

There are five types of skid shoes:

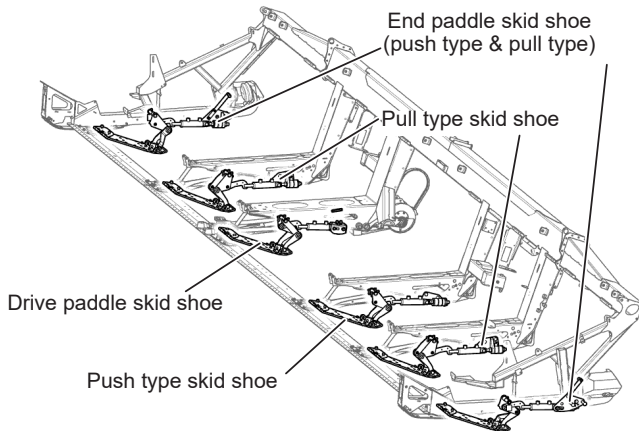


Fig. 256 - Skid shoe types

WARNING!

Shut OFF the combine engine, set parking brake, and remove key before exiting the cab.

WARNING!

Hydraulic failure will result in sudden equipment drops. Always use mechanical safety stops when working under or around the header.

19.21.3.1 - Drive Paddle Skid Shoe

Measure the distance between the mount bracket and square tube as shown below, it should be 17/32" (13.5 mm). If necessary, use the adjustment bolt and lock nuts to adjust the distance.

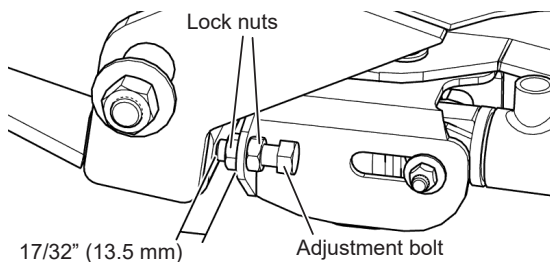


Fig. 257 - Drive paddle skid shoe measurement

Retract the skid shoes then check the contact point indicated below. The contact point should be just touching, not pushing too hard and there should be no gap. Adjust the adjustment nut if necessary.

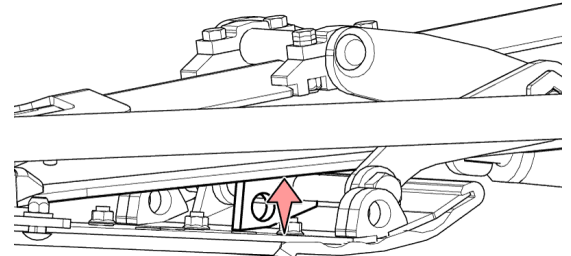


Fig. 258 - Drive paddle skid shoe contact point

19.21.3.2 - Skid Shoe Shock Absorber Inspection

Over time, skid shoe rubber shock absorbers can wear out and become permanently compressed. To check if the shock absorbers need replacement:

1. Retract the skid shoes to position 0, then extend them to position 8.

WARNING!

Raise the header, and engage the feeder house safety stops to prevent sudden drops. Shut OFF the combine engine, set parking brake, and remove key before exiting the cab.

2. Check for a gap at the location indicated below. If the gap is 1/4" (6.4mm) or more, then the rubber shock absorber should be replaced.

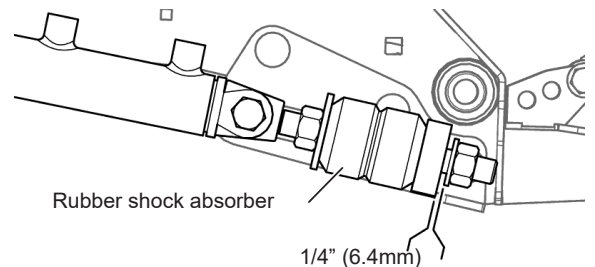


Fig. 259 - Check rubber shock absorber

19.21.3.3 - End Paddle Pull Type Skid Shoes

Measure the distance between the end of the bolt and the washer as shown below, it should be 1-5/16" (33.3 mm). If necessary, turn the adjustment nut until the measurement is achieved.

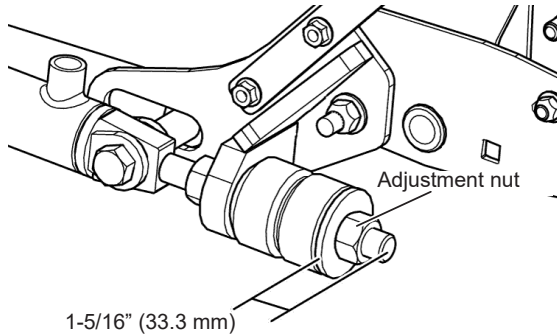


Fig. 260 - End paddle skid shoe measurement

Retract the skid shoes then check the contact point indicated below. The contact point should be just touching, not pushing too hard and there should be no gap. Adjust the adjustment nut if necessary.

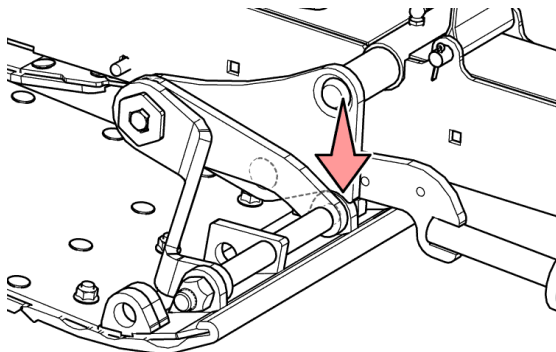


Fig. 261 - End paddle skid shoe contact point

19.21.3.4 - End Paddle Push Type Skid Shoes

Measure the distance between the end of the bolt and the cylinder mount bracket, it should be 1-9/16" (39.7 mm). If necessary, turn the adjustment nut until the measurement is achieved.

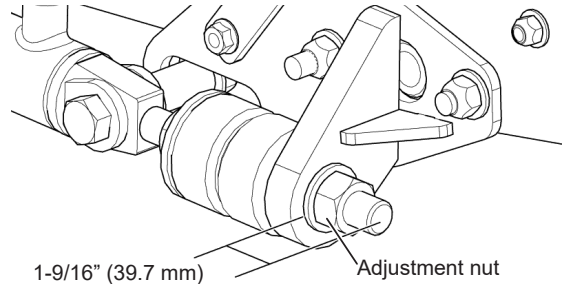


Fig. 262 - End paddle skid shoe push type measurement

Retract the skid shoes then check the contact point indicated below. The contact point should be just touching, not pushing too hard and there should be no gap. Adjust the adjustment nut if necessary.

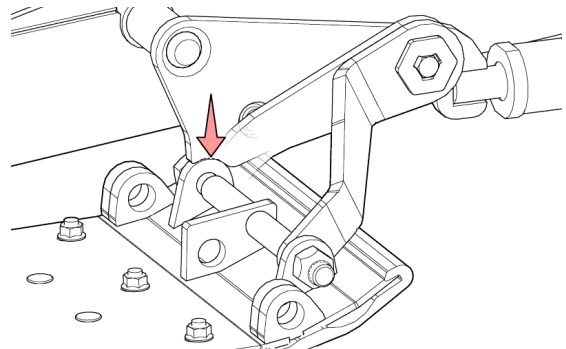


Fig. 263 - End paddle skid shoe push type contact

19.21.3.5 - Pull Type Skid Shoes

Measure the distance between the end of the bolt and the washer as shown below, it should be $1\text{-}1/8"$ (28.6 mm). If necessary, turn the adjustment nut until the measurement is achieved.

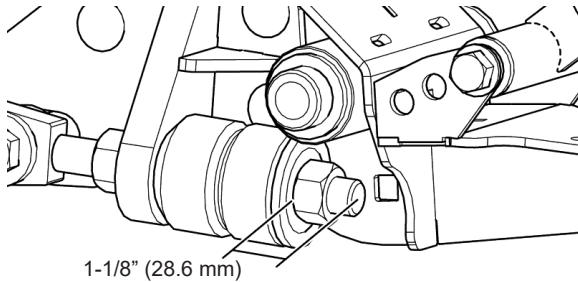


Fig. 264 - Pull type skid shoe measurement

Retract the skid shoes then check the contact point indicated below. The contact point should be just touching, not pushing too hard and there should be no gap. Adjust the adjustment nut if necessary.

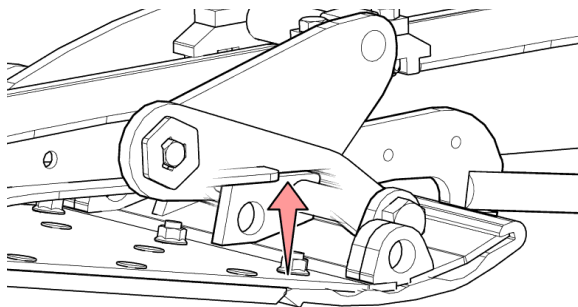


Fig. 265 - Pull type skid shoe contact point

19.21.3.6 - Push Type Skid Shoes

Measure the distance between the end of the bolt and the cylinder mount bracket, it should be $1\text{-}21/32"$ (42 mm). If necessary, turn the adjustment nut until the measurement is achieved.

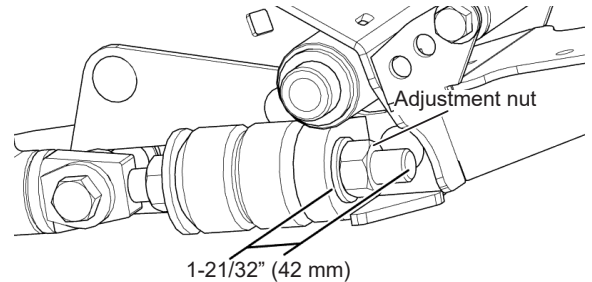


Fig. 266 - Push type skid shoe measurement

Retract the skid shoes then check the contact point indicated below. The contact point should be just touching, not pushing too hard and there should be no gap. Adjust the adjustment nut if necessary.

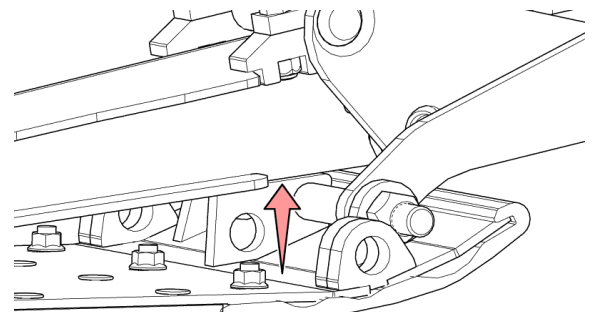


Fig. 267 - Push type skid shoe contact point

19.22 - Lubrication

It is extremely important that you are aware of ALL lubrication points on the header (see page 133).

IMPORTANT!

Failure to use the grease specified in this manual can result in premature failure of knife head bearings.

If a grease fitting is missing, replace it immediately. Clean fittings thoroughly before using grease gun.

19.22.1 - Mixing of Lubricants

In general, avoid mixing different brands or types of oil. Oil manufacturers blend additives in their oils to meet certain specifications and performance requirements.

Mixing different oils can interfere with the proper functioning of these additives and degrade lubricant performance.

Consult your dealer to obtain specific information and recommendations.

19.22.2 - Alternative and Synthetic Lubricants

Conditions in certain areas may require lubricant recommendations different from those printed in this manual. Consult your dealer for more info.

Synthetic lubricants may be used if they meet the requirements as shown in this manual.

The temperature limits and service intervals shown in this manual apply to both conventional and synthetic lubricants.

Re-refined base stock products may be used if the finished lubricant meets the performance requirements.

19.22.3 - Wheel Bearing Grease

Transport wheel bearings should be repacked once a year if used on roads. Use the following grease for the transport wheel bearings:

- NLGI Performance Classification GC-LB. GC-LB means bearing and chassis-load bearing. #2 EP GC-LB is the most common grade of automotive grease.

NOTE:

Old wheel bearing grease must be completely removed before repacking with new grease.

19.22.4 - Reel Lubrication

The grease fitting on the left and right ends of the reel require 1-2 shots of grease every 10 hours of operation in order to avoid excess wear.

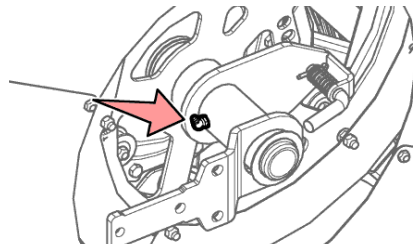


Fig. 268 - Reel grease fitting

19.22.5 - Gearbox Lubrication

75W90 oil must be used when replacing the oil in the gearboxes.

19.22.6 - Feeder Deck Drive Chain Lubrication

At the end of each harvest season, ensure the feeder deck drive chain is clear of debris then soak the chain in high quality chain lubricant.

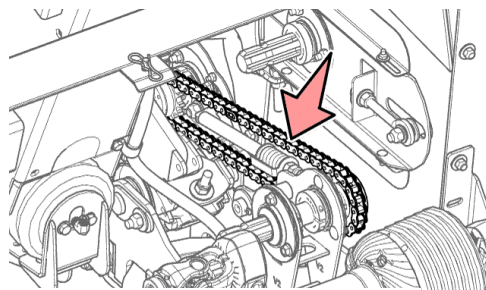


Fig. 269 - Feeder deck drive chain

19.22.7 - Knife Head Lubrication

Daily during operating season, add 1-2 pumps of grease to each knife head fitting. Excess grease pressure will shorten the knife lifespan, push down on the fitting ball to release excess pressure.

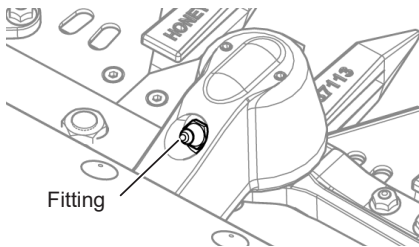


Fig. 270 - Knife head grease fitting

19.22.8 - End Paddle Lubrication

If the optional hydraulic skid shoes are installed, their pivot point on each end paddle should be greased with 3-4 pumps every 10 hours of operation.

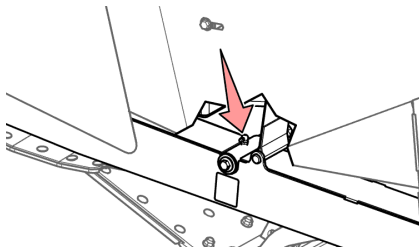


Fig. 271 - End paddle grease fitting

19.22.9 - Gauge Wheel Lubrication

Lubricate the gauge wheel swivel grease fitting with 1-2 pumps every 40 hours of operation.

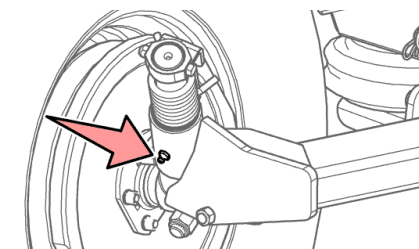


Fig. 272 - Gauge wheel grease fitting

19.22.10 - Drive Shaft Lubrication

When servicing drive shafts, apply graphite lubricant to the shaft overlap as shown below.

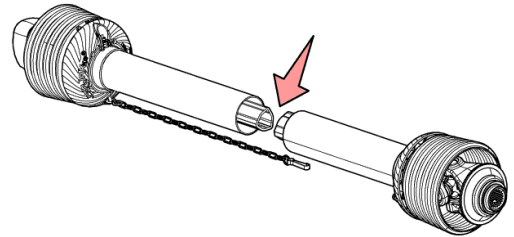


Fig. 273 - Apply graphite lubricant

The grease fittings on each drive shaft should be lubricated every 40 hours of operation.

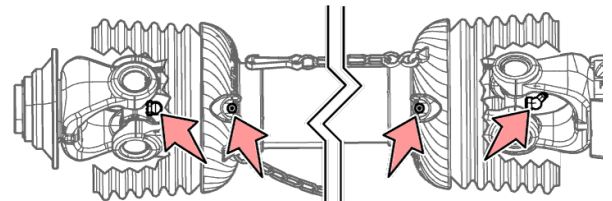


Fig. 274 - Common drive shaft grease points

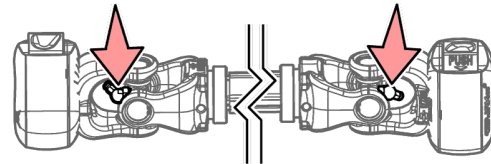


Fig. 275 - Feeder deck drive shaft grease points

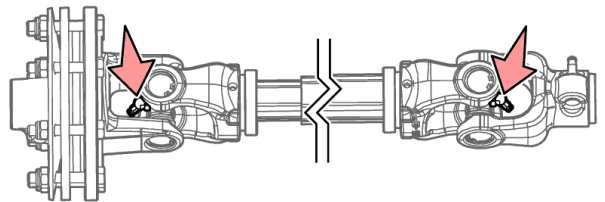


Fig. 276 - Auger drive shaft grease points

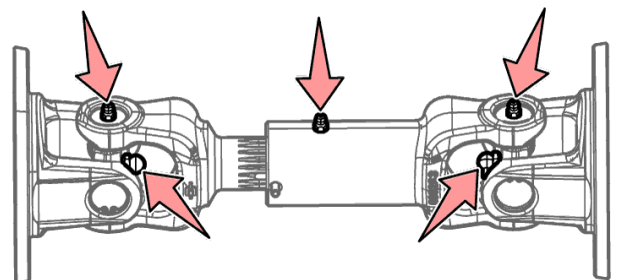


Fig. 277 - Knife drive shaft grease points

19.22.11 - Lubricant Storage

Your equipment can operate at top efficiency only when clean lubricants are used. Use clean containers to handle all lubricants.

Store lubricants and containers in an area protected from dust, moisture, and other contamination. Store containers on their side to avoid water and dirt accumulation.

Make certain that all containers are properly marked to identify their contents.

Properly dispose of all old containers and any residual lubricant they may contain.

19.22.12 - Grease Specifications

For all bearings on the header except for transport wheel bearing (includes knife head bearings, PTO shaft U-Joint bearings, gauge wheel grease points and cross auger U-Joint bearings) please use the following grease:

- Grease Specification: NLGI Grade #2
Thickener Type - Lithium Complex,
Molybdenum Disulfide (wt%) - 3-5%,
Viscosity of Oil (ASTM D 445) cSt @ 40oC
- 400 to 500

List of Recommended Grease:

- Mobil SCH XHP 462
- Shell Gadus S3 V460D 2
- Castrol Contractor Special 2
- Conoco Phillips 66 Megaplex XD3 or XD5 (both need to be NLGI 2 grade)
- Lucas Oil Heavy Duty Mining & Construction Grease Product #10597, 10597, 10881 NLGI GCLB
- Petro Canada Precision XL3 Moly EP2
- Cat Extreme Application Grease - Desert NLGI 2
- MyStik JT-60 Hi-Temp Grease with Moly - Readily available at any Tractor and Supply in USA.
- TOTAL CERAN XM 460 NLGI 2
- MAPO MFE Syngis Grease CS-2/502-S
- Eurol Grease CS-2/501
- Castrol Spheerol LCX 6002
- Castrol Castrol Spheerol EPLX
- SKF LGEM 2
- Castrol Molub-Alloy 860/460-2 ES



IMPORTANT!

Some types of grease thicken and are not compatible with others.

DO NOT MIX GREASE TYPES!

19.22.13 - Lubrication Location & Interval

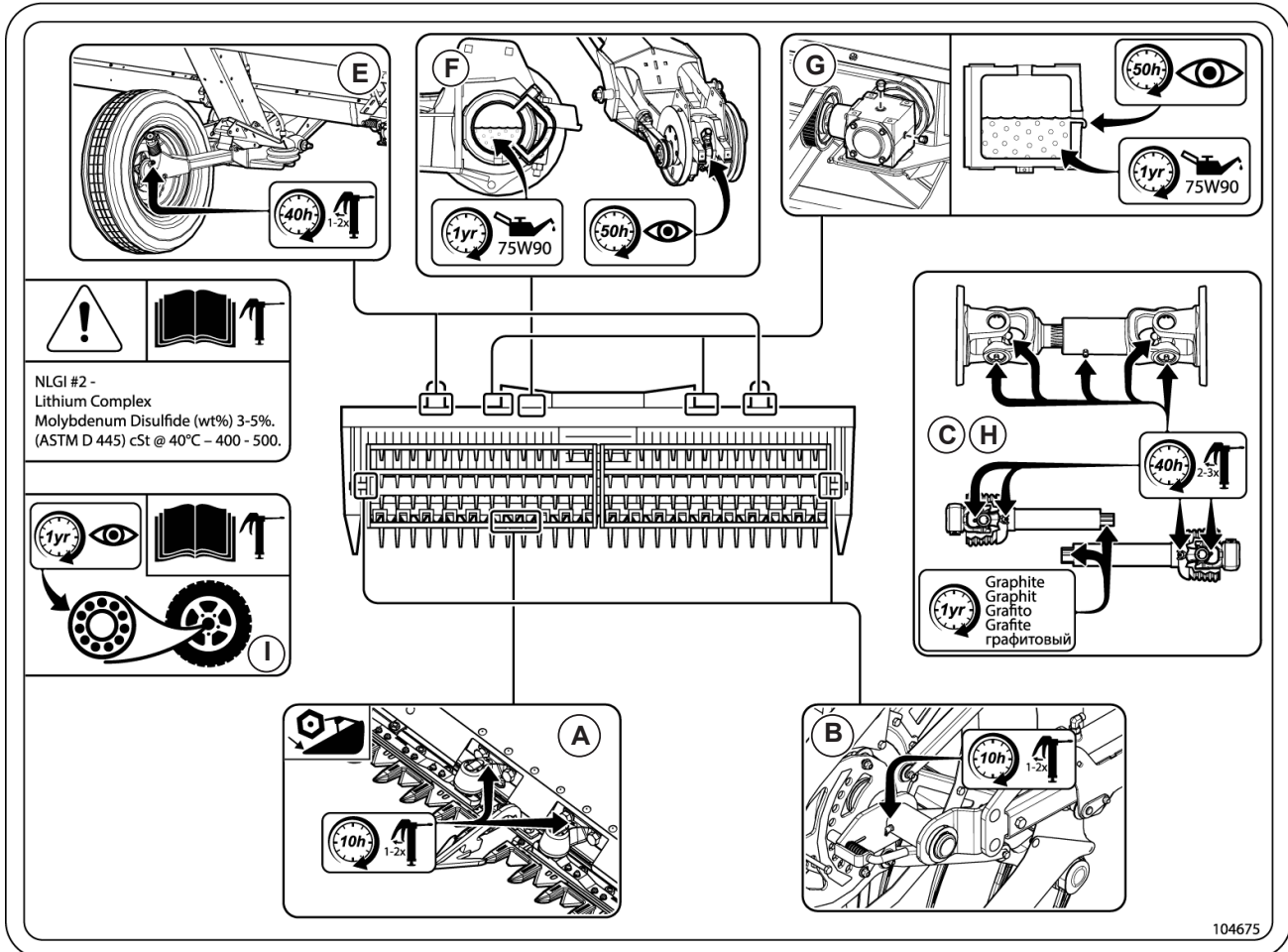
	Location	Lubricant	Quantity	Interval
A	Grease knife head bearings @ grease fitting (top side) x2	We recommend that you use grease types specified on the previous page.	1-2 shots	10 hours
B	Reel Bearings		1-2 shots	10 hours
C	PTO Drive shaft U-Joint grease fittings (2 on each end of shaft)		2-3 shots	40 hours
D	Cross auger u-joint bearing @ grease fitting x2		1-2 shots	40 hours
E	Gauge wheels @ grease fitting x2		1-2 shots	40 hours
	End paddle skid shoe pivot (optional equipment)		3-4 shots	10 hours
F	Check main knife bearing housing oil level	75W90 Oil	as needed	50 hours
	Replace oil in main knife bearing (75W90)	75W90 Oil	0.20 L (half full)	1 year
G	Check LH & RH draper gearbox oil level	75W90 Oil	as needed	50 hours
	Replace oil in LH & RH draper gearbox	75W90 Oil	0.50 L (half full)	1 year
H	Telescoping drive shafts (5 shafts)	High quality graphite dry lubricant spray	coat shaft	1 year
I	Transport wheels hub and spindle	High quality wheel bearing grease	re-pack	1 year
	Knife	water/diesel/oil	Soak	as needed
	Feeder deck (center draper) drive chain (on left side of deck)	High quality chain lube	Soak	1 year

All other rotating elements on this product use sealed bearings and permanent bushings (not shown). These must be replaced if worn. Typically, loose indicates the bearing is worn.



IMPORTANT!

To avoid equipment damage and system contamination, always clean grease fittings before and after lubrication. If a grease fitting is damaged or missing, replace it immediately. Always tighten plugs securely.



104675

Fig. 278 - Lubrication Locations

20 - Support

General Information & Sales	
E-Mail:	sales@honeybee.ca
Website:	http://www.honeybee.ca
Phone:	(306) 296-2297

Parts & Service	
Parts E-Mail:	parts@honeybee.ca
Service E-Mail:	service@honeybee.ca
Phone:	1 (855) 330-2019 (Toll free in north america)

Your Local Dealership	
E-Mail:	
Phone:	
Notes:	

Equipment manuals and service information can be found on our website:

<http://www.honeybee.ca>

21 - Header Transport & Storage

21.1 - Read before Transporting

There may be regulations restricting transport of heavy equipment on in your area. Be aware of local regulations before transporting. Stop after your first 100km of travel, check the wheel bolts and re-torque if needed.

When transporting your header via trailer or transport cart, your local regulations may require a maximum equipment width of 8 ft. (2.44 m). To achieve this width, lower the front-most reel fingers into their transport position as outlined in this section of the manual.

WARNING!

Do not exceed 20 mph (32 km/h) when towing the header via transport cart. Excessive speeds can result in injury or equipment damage and may not be permitted by regulations in your area.

Do not transport header without wheel axle bolts installed!

21.2 - Measurements for Flatbed Transport

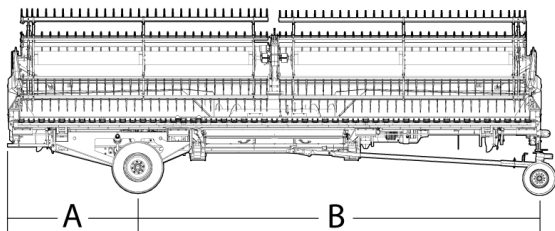


Fig. 280 - Transport Measurements

Header Size	Distance A		Distance B	
	Feet	Meters	Feet	Meters
25ft	6.2	1.89	19.8	6.04
30ft	8.7	2.65	22.3	6.80
36ft	11.7	3.57	25.3	7.71
40ft	13.7	4.18	27.3	8.32
45ft	16.2	4.94	29.8	9.08
50ft	18.7	5.70	32.3	9.85
60ft	23.7	7.22	37.3	11.37

21.3 - Towing Vehicle Requirements

Ensure the towing vehicle is capable of safely towing the header when using the transport cart.

The towing vehicle must meet the minimum mass requirements when pulling the header: Do not exceed the weights listed below.

Header Width	Maximum Transport Weight	Minimum Towing Vehicle Weight
ft	lbs (kg)	lbs (kg)
25	8750 (3969)	5833 (2646)
30	9250 (4196)	6167 (2797)
36	9750 (4423)	6500 (2948)
40	10750 (4876)	7167 (3251)
45	11000 (4990)	733 (3326)
50	11500 (5216)	7667 (3478)
60	12750 (5783)	8500 (3856)

Ensure the towing vehicle brakes are capable of stopping in a safe distance when pulling the unbraked configuration of the header.

21.4 - Transporting on Combine

WARNING!

Avoid transporting the header on the front of a combine on public roadways. The extreme width of the header, combined with low visibility can pose danger to the equipment operator and the public.

- Reflective material must be clean and visible
- A spotter or pilot vehicle should be used when there is the possibility of encountering traffic.
- Drive at a speed that is safe for conditions.
- Completely raise platform and engage the feeder house safety stop.
- The reel must be completely retracted and at an appropriate height for maximum visibility.
- When transporting on public roads, flashing

warning lights and tail lights on both sides provide warning to other vehicles. Warning lights are required when driving a combine on public roads.

- Operators should be aware of the assembled width of the Combine, and must check local regulations before transporting on public roadways.

NOTE:

Some combines disable auto header height functions when set to road mode and do not remember the settings when put back into field mode. Ensure auto header height and auto lateral tilt settings are enabled prior to operating the header again.

21.5 - Prepare the Header for Transport on Cart or Trailer

1. Retract the hydraulic tilt cylinder to tilt the header back.
2. Completely lower and retract the reel. Retract the hydraulic skid shoes (if installed).
3. Lower the header to the ground to relieve tension from the gauge wheel support straps.
4. Ensure the header is in RIGID mode with the air system fully pressurized to 100 psi.

WARNING!

Engage parking brake, shut down the engine and wait for moving parts to stop before exiting cab.

5. Remove the crop dividers as shown below.

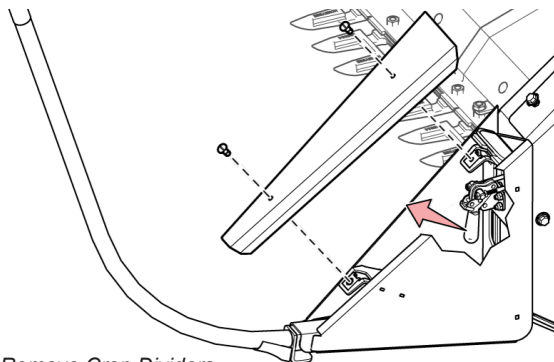


Fig. 281 - Remove Crop Dividers

WARNING!

Use lifting aids and proper lifting technique to avoid muscle strain or back injury.

6. Lift the gauge wheel support straps into the transport position and secure with the pin as shown below.

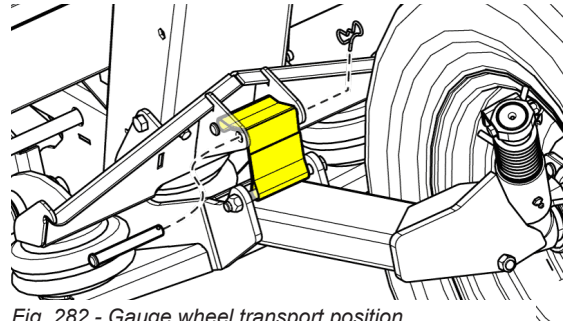


Fig. 282 - Gauge wheel transport position

7. Store the dividers on their storage brackets.

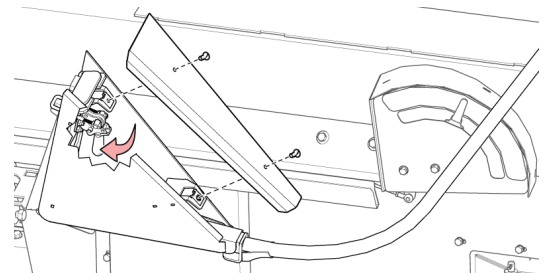


Fig. 283 - Store Crop Dividers

8. Secure the reel in place to prevent it from rotating during transport.
9. At each end of the reel, remove the indicated bolt to allow you to drop down the header's front-most reel finger as shown below.

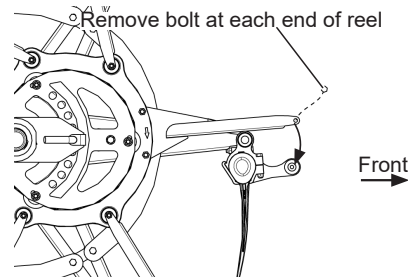


Fig. 284 - Drop Reel Fingers for Transport

10. Ensure the cutter bar is locked up in rigid mode to prevent it from bouncing during transport.

21.6 - Transport Using Optional Transport Cart

There are two components to the optional transport package: The draw bar axle and the transport cart.

1. Ensure the header is in RIGID mode with the air system fully pressurized to 100 psi.
2. Completely lower and retract the reel.
3. Tilt the header backward by fully retracting the tilt cylinder.
4. Raise the header.

WARNING!

Engage the Parking Brake, shut down the engine and wait for all moving parts to stop before exiting the cab. Lock the Feeder House Lift Cylinders in raised position as described in your combine owner manual.

5. Roll the transport into position under the header.
6. Attach the 4 straps to the struts on the underside of the header.
7. Restart the combine and lower the header until it is one foot above the transport.

WARNING!

Engage the Parking Brake, shut down the engine and wait for all moving parts to stop before exiting the cab.

8. Use the hand crank to raise the transport up into position.

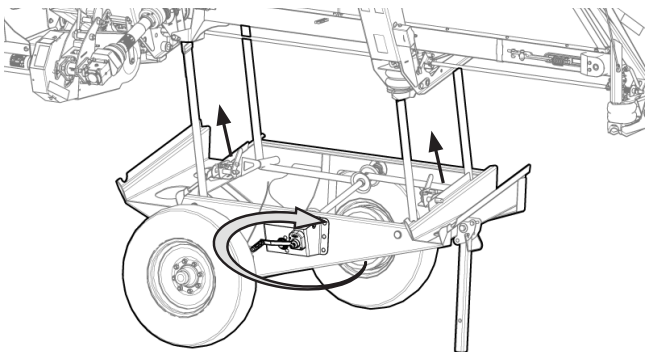


Fig. 285 - Install Header Transport Cart

9. Lock the transport cart in place with the lock handle.

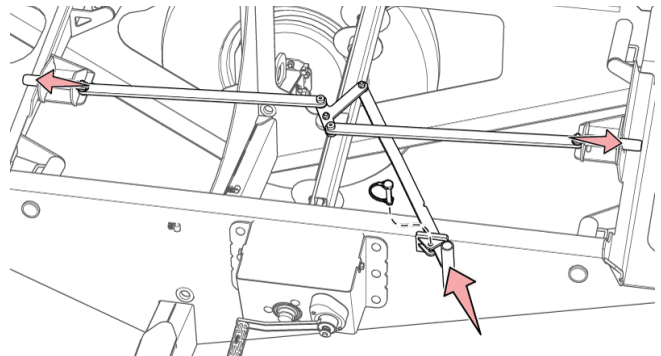


Fig. 286 - Lock Transport Cart to Header

10. Raise and lock the transport support bar.

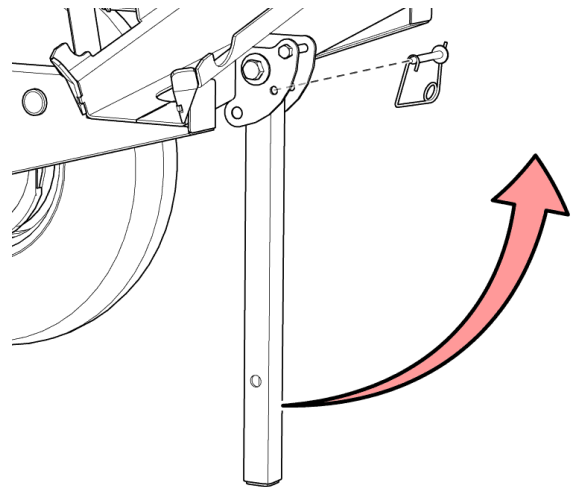


Fig. 287 - Raise and lock support bar

11. Connect the transport electrical line to the header.
12. Roll the drawbar under the drawbar mount, pull the pin to lower the draw bar mount onto the draw bar axle.

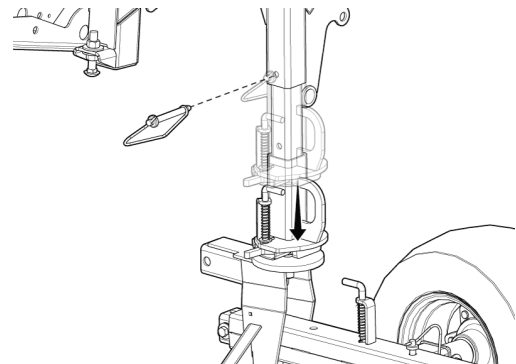


Fig. 288 - Lower draw bar bracket onto draw bar axle

13. Remove all locks, pins/bolts which hold Auger Adapter to the Feeder House of the Combine.
14. Restart the combine and completely lower header to the ground.
15. Lock the transport cart in place via the two lock pins.

WARNING!

Engage the Parking Brake, shut down the engine and wait for all moving parts to stop before exiting the cab.

16. Re-insert the pin to secure the draw bar axle in place.
17. Disconnect platform drive shafts from feeder house and place in storage positions. Ensure the drive shaft chains are hooked up and out of the way.

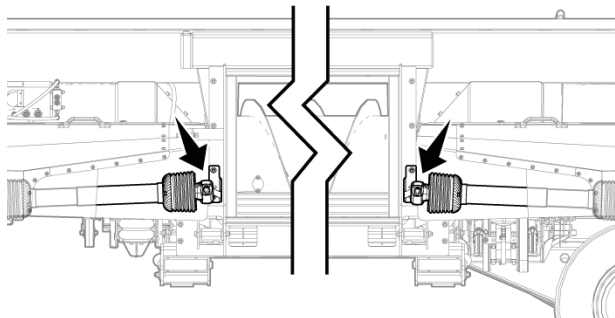


Fig. 289 - Drive shaft storage positions

18. Disconnect hydraulic coupler and place in storage position.
19. Disconnect electrical cable & place in storage position.

NOTE:

If transporting the header with installed transport cart on a flatbed trailer, skip the remaining steps and proceed to section 21.7.1 on page 143.

20. Restart the combine, lower the feeder house slightly and carefully back away.

21.6.1 - Trailer Brake Settings

Before towing the header on the optional transport cart, ensure you set the electric brake controller sensitivity in the truck cab. This will prevent dragging brakes and overheating wheel hubs which can result in bearing and hub failure.

21.6.2 - Off-Road Transportation

When transporting the header in rough or off-road conditions, take extreme care to drive slowly with no sharp turns. Failure to do so can result in a roll over.

21.6.3 - On-Road Transportation

Do not exceed the speed of 20 mph (32 km/h) while transporting the header on public roads. Always follow local regulations.

21.6.4 - After Transporting

Inspect and clean the right hand drive area after transporting your equipment. Rocks and debris can be flung into the drive assembly during transport.

IMPORTANT!

If a tire blowout occurs on the left-hand rear transport wheel, inspect knife drive belts for damage before operating.

21.7 - Transporting on Flatbed Trailer

IMPORTANT!

A combine does not have the reach to lift the header onto a flatbed trailer without a side-loading ramp. Without a ramp, specialized lifting equipment is required for lifting the header.

21.7.1 - With Optional Transport Package

Prior to following the steps in this section, ensure that you have followed the steps in section 21.6 on page 141.

IMPORTANT!

When transporting your equipment via flatbed trailer, use the provided hold-down brackets with your header to avoid equipment damage.

1. Ensure the draw bar holder is in place, install if necessary. This bracket will interfere with normal header operation and must be removed after transport is complete.

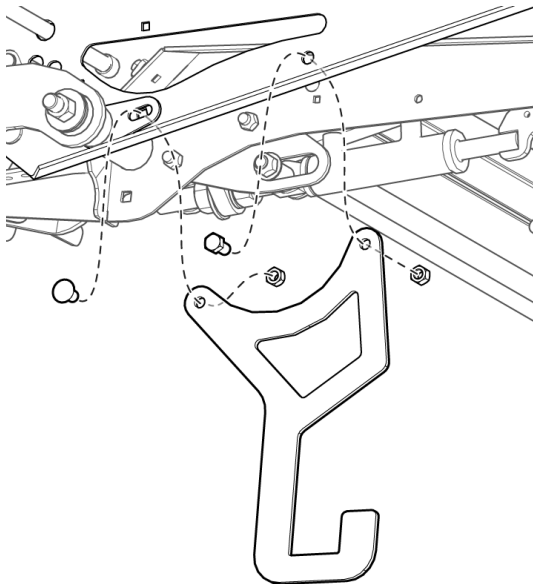


Fig. 290 - Draw bar holder

2. Swing the draw bar around and hook it onto the draw bar holder.

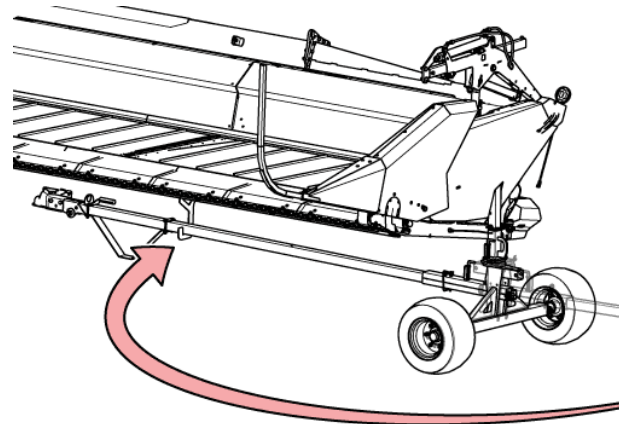


Fig. 291 - Swing Draw Bar into Storage Position

3. Lift the header onto the flatbed trailer and secure in place using the hold-down brackets previously mentioned. If additional strapping is required, ensure that only structural components are used to secure the header to the trailer. Strapping the header down via lightweight components such as the reel will result in equipment damage.

WARNING!

Use appropriate lifting equipment. Ensure the header is firmly secured. Keep bystanders away. Failure to follow instructions can result in equipment damage or death.

21.7.2 - Without Optional Transport Package

1. Ensure the header is in RIGID mode with the air system fully pressurized to 100 psi.
2. Completely lower and retract the reel.
3. Retract the hydraulic skid shoes (if installed)
4. Tilt the header backward by fully retracting the tilt cylinder.

WARNING!

Engage the Parking Brake, shut down the engine and wait for all moving parts to stop before exiting the cab. Lock the Feeder House Lift Cylinders in raised position as described in your Combine Owner Manual.

5. Disconnect platform drive shafts from feeder house and place in storage positions.

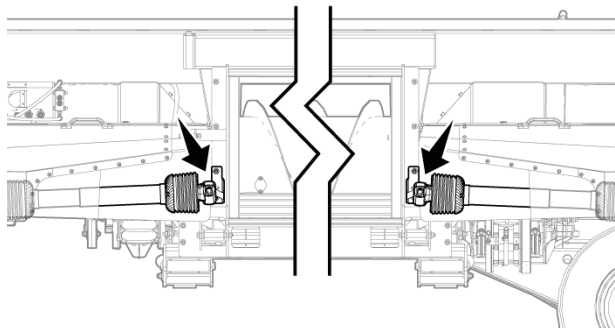


Fig. 292 - Drive shaft storage positions

6. Disconnect hydraulic coupler and place in storage position.
7. Disconnect electrical cable & place in storage position.
8. Place two wood blocks on the flatbed trailer where the header subframe will be sitting.

9. Use appropriate lifting equipment to raise the header and gently place it on the wood blocks on the flatbed trailer. A combine can only be used to lift the header if using a stable side-loading ramp.

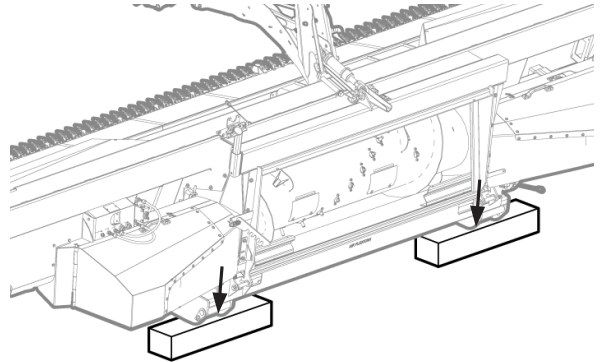


Fig. 293 - Lower Header onto Blocks

WARNING!

Use safe lifting procedures or serious injury may result.

10. Strap down the header using structural components only.

IMPORTANT!

When strapping the header to the flatbed trailer, ensure that only structural components are used to support the straps. Strapping the header down via lightweight components such as the reel will result in equipment damage.

IMPORTANT!

Ensure that all required standards and regulations are followed in regards to transporting heavy equipment on public roadways.

21.8 - Quick Dismount

The header can be lowered directly onto the ground for short or long term storage.



IMPORTANT!

If storing the header for long periods of time, ensure it is protected from the elements.

1. Ensure the ground is firm and level.
2. Place two wood blocks on the ground below the bottom strut of the subframe.
3. Start the combine, fully retract the hydraulic tilt cylinder, lower and retract the reel. Retract the skid shoes (if installed).
4. Remove pins and locks holding feeder house to header.
5. Gently lower the header down onto the blocks.

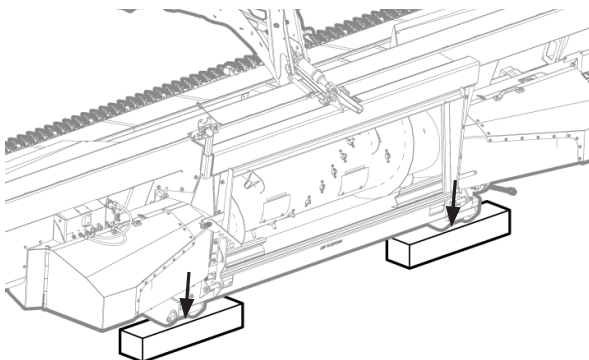


Fig. 294 - Lower Header onto Blocks



WARNING!

Engage the Parking Brake, shut down the engine and wait for all moving parts to stop before exiting the cab.

- 6.
- 7.
- 8.
- 9.
- 10.
- 11.
- 12.
- 13.

14. Disconnect platform drive shafts from feeder house and place in storage positions.

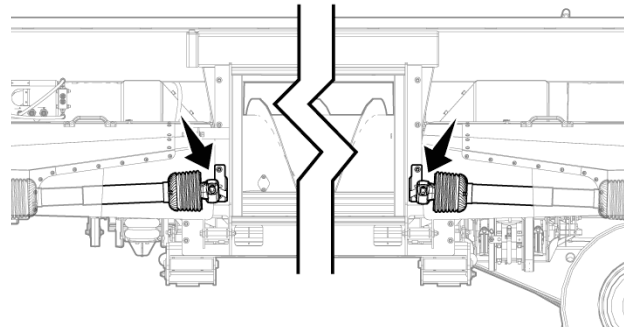


Fig. 295 - Drive shaft storage positions

15. Disconnect hydraulic coupler and place in storage position.
16. Disconnect electrical cable & place in storage position.
17. Restart the combine, lower feeder house slightly and back away.

21.9 - End of Season Storage

- Secure platform to transport cart or lower platform onto safety stops or blocks.
- Open side shields (see section 19.14 on page 122) and clean all chaff and debris.
- Loosen tension on side draper belts (See section 19.7.1 on page 102).
- Lift up on side drapers and power wash inside belts. Make sure to wash away all chaff and debris.



IMPORTANT!

Do not use high-pressure washer spray directly on electronics, bearings, decals, or any other sensitive areas. High-pressure water can remove seals, lubricants, decals, and damage electrical systems.

- Remove center draper belt and clean frame (see section 19.7.6 on page 104). Reinstall belt loosely.
- Check fluid levels on all gearboxes.
- Apply grease where needed as outlined in section 19.22 on page 133 of this manual.
- Completely lower and retract the reel.
- Paint all parts where paint is worn or chipped.
- Close side shields.
- If possible, shelter header in a dry place.

22 - Appendix

22.1 - AGCO Bezels

The AGCO style of auger adapter provides a series of bezel layouts. These adapters are needed to match your new header to the opening of the feeder house on your combine.

Combine	Model	Lateral Tilt	Non Lateral Tilt	Note
Gleaner	S67, S77, S68, S78, S88, S96, S97, S98, R76, R75, R66, R65, R72, R62	Layout 2	Layout 1	62/72 if equipped with removable indexing blocks.
	C62	N/A	Layout 5	Use 3/16 tab as spacer at top of web.
	A65, A66	Layout 3	Layout 3	
	A75, A76, A85, A86	Layout 4	Layout 4	Use 3/16 tab as spacer at top of web
Massey Ferguson	9790, 9895, 9795, 9540, 9560, 9545, 9565	Layout 4	Layout 4	Use 3/16 tab as spacer at top of web.
	9690, 9520, 9685	Layout 3	Layout 3	
	8780 V	Layout 3	Layout 3	
	8780 XP/W	Layout 3	Layout 3	
	8570	N/A	Layout 6	Cut end off guides and drill new inner hole to place as shown.
	8680	N/A	Layout 5	Use 3/16 tab as spacer at top of web
Challenger	670, 680B, 540C, 560C, 540E, 560E	Layout 4	Layout 4	
	660	Layout 3	Layout 3	
Fendt	Ideal 7,8,9	Layout 7	Not available	

22.1.1 - Configuring the AGCO Bezels

Refer to the following diagram to familiarize yourself with the key components:

- Guide Plate (includes a portion bent back at 90 degrees.)
- The First Bezel.
- The Second Bezel.
- Web (extends backward from the bezels at 90 degrees.)

In addition, there are long and short sections of flat-bar used to reinforce connections.

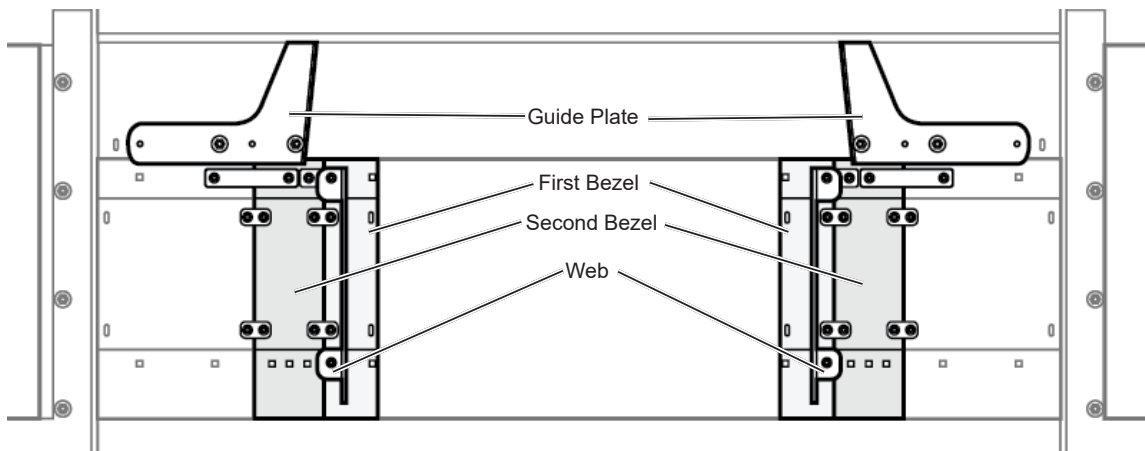


Fig. 296 - AGCO Bezels

Configuration	Components Used	Notes
Layout #1	Guide Plate First Bezel Second Bezel Web	The guide plates, (#1) are positioned using the innermost holes, as seen in the main diagram.
Layout #2	Guide Plate First Bezel Second Bezel Web	The guide plates, (#1) are moved outward exposing one hole on the inner side.
Layout #3	Second Bezel Web	The guide plates, and the first bezel are removed. Reposition the web so that the vertical portion is midway on the remaining bezel.
Layout #4	Web	The web is positioned in the innermost top and bottom holes, with one short support bar, used as a spacer, at the top of each web.
Layout #5	Web	The web is positioned in the outermost top and bottom holes, with one short support bar, used as a spacer, at the top of each web.
Layout #6	Guide Plate First Bezel Second Bezel Web	The guide plate is positioned using the extreme outer holes, and the portion extending beyond the adapter outer edge is trimmed off. All other components are as shown in the main diagram.

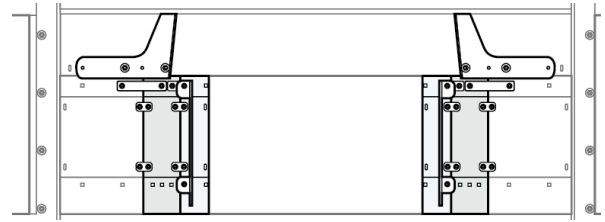


Fig. 297 - AGCO Bezel - Layout 1

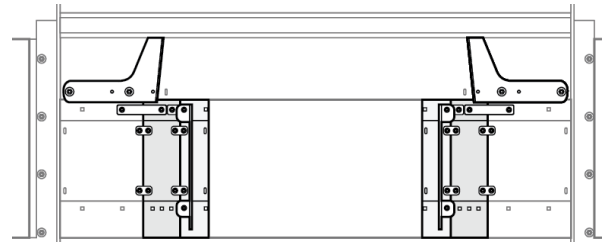


Fig. 298 - AGCO Bezel - Layout 2



Fig. 299 - AGCO Bezel - Layout 3

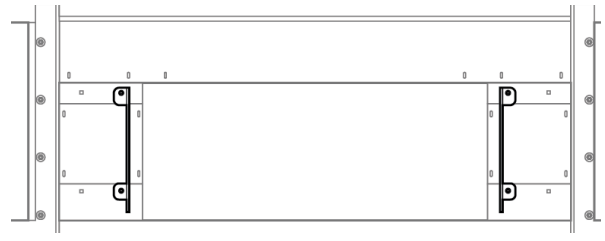


Fig. 300 - AGCO Bezel - Layout 4

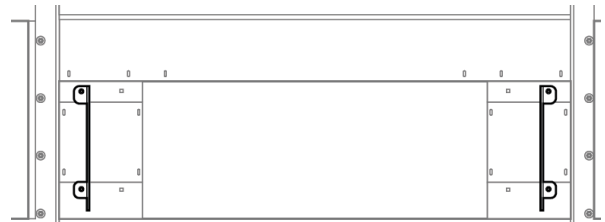


Fig. 301 - AGCO Bezel - Layout 5

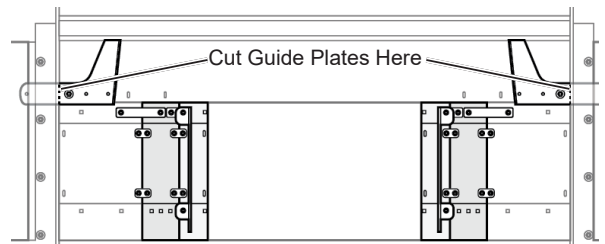


Fig. 302 - AGCO Bezel - Layout 6

Configuration	Components Used	Notes
Layout #7	Top Latch Hook Wedge Plate Lock Bracket Web	The web is positioned in the innermost top and bottom holes, with one short support bar, used as a spacer, at the top of each web. The Top Latch Hook, Wedge Plate and Lock Bracket are installed as well.

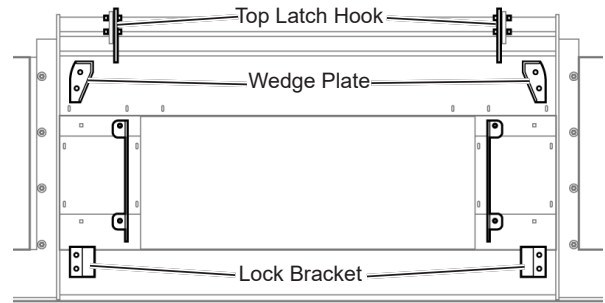


Fig. 303 - Bezel - Layout 7

22.2 - Stripper Plates for CNH and Lexion Combines

For CNH and Lexion combines, stripper plates are installed in the header feeder house opening to assist in directing crop flow into the combine feeder house. The correct stripper plates for your combine are installed in the factory, but if the header is used on a different combine, you must ensure the correct stripper plates are installed for your combine feederhouse type.

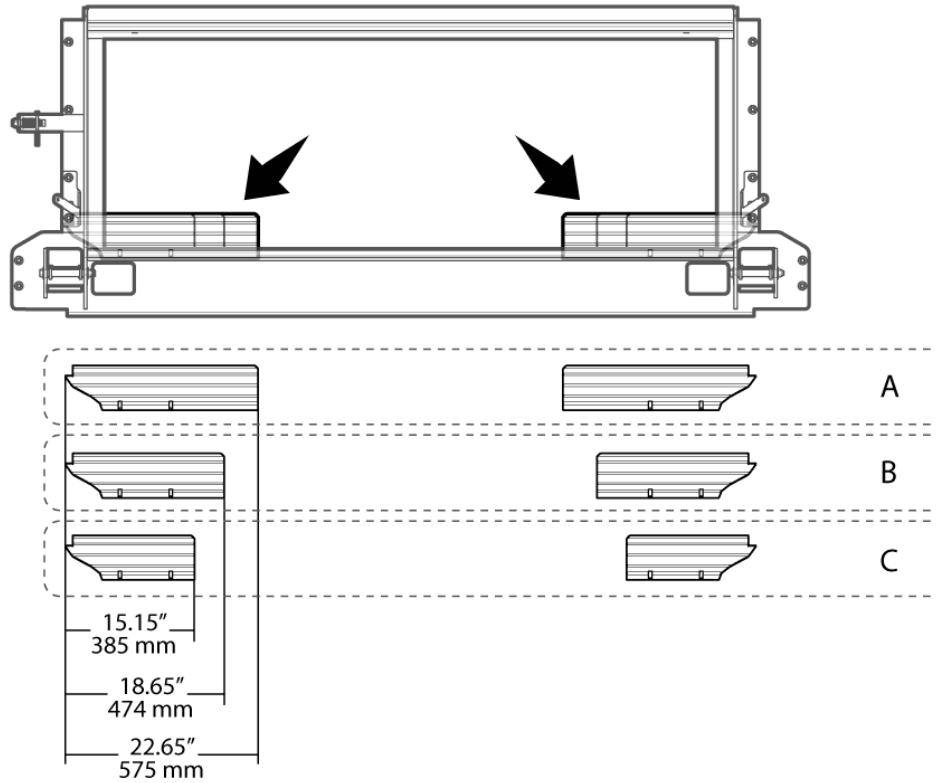


Fig. 304 - AGCO Bezel - Layout 2

	CNH Combine	Lexion Combine
A	Narrow Feeder House	N/A
B	Mid Feeder House	Narrow Feeder House
C	Wide Feeder House	Wide Feeder House

22.3 - Permanently Lubricated Bushing Locations

There are a number of permanently lubricated plastic bushings used throughout the header. These bushings should be inspected for abnormal wear or damage periodically (approximately every 200 hours of operation).

	Bushing Location	Number of Bushings
A	Paddle rear pivot	12
B	Left and right reel arm end	2
C	Center draper drive belt pulley pivot	2
D	Gauge wheel pivot	4
E	Header height control sensor bar	6
F	Subframe suspension pivot points	8

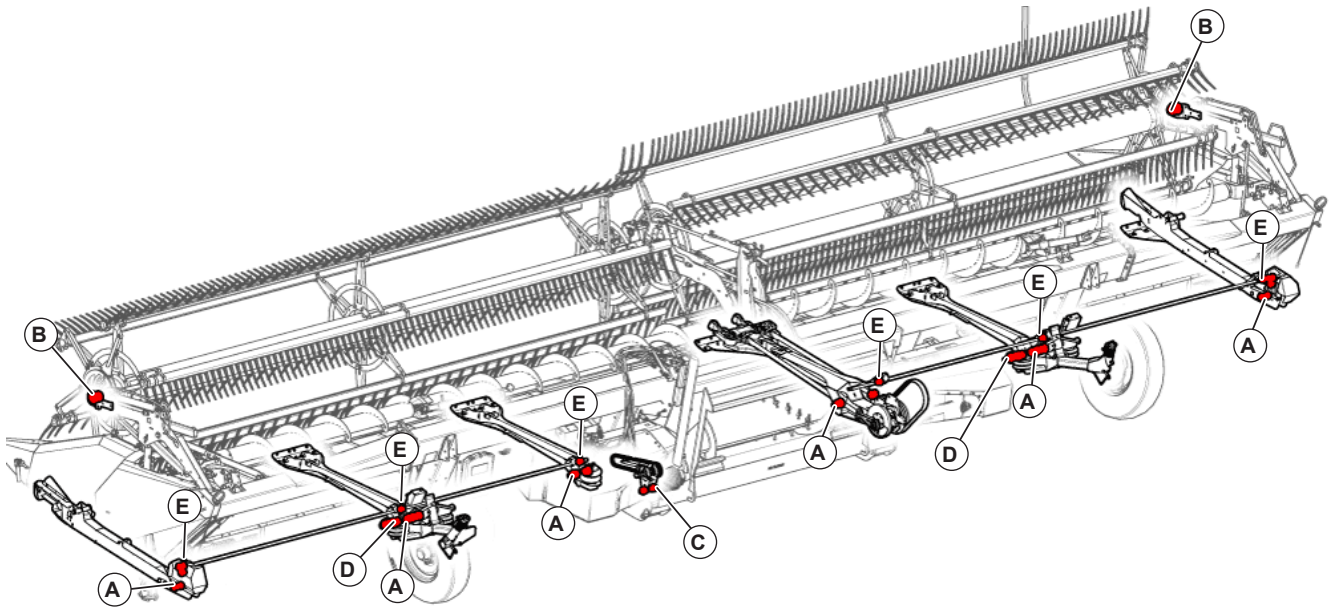


Fig. 305 - Permanent Bushing Locations

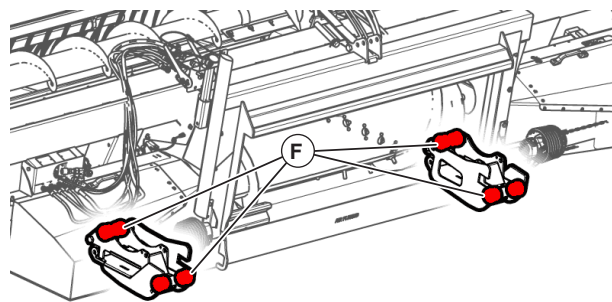


Fig. 306 - Permanent Bushing Locations (subframe)

22.4 - Header Height Control Sensor Locations

The header height control sensors can be located along the rear of the header, they are connected to the sensor bar via linkages.

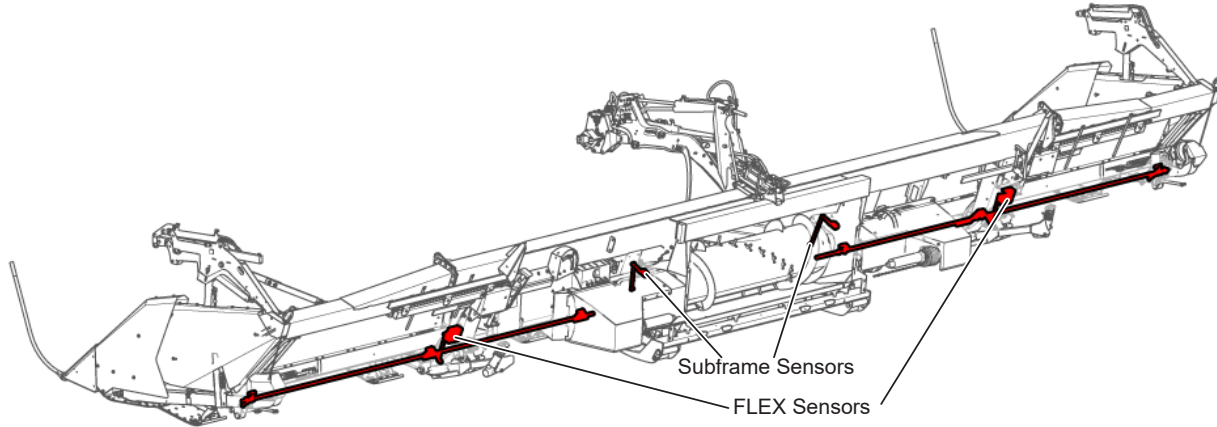


Fig. 307 - Header Height Control Sensor Locations

22.4.1 - Automatix Lite Display Sensor Identification

On the main Automatix Lite screen, the system will show the live sensor voltage for the left and right sensors shown above. The center of the screen shows psi recommendations for the current cutting mode.

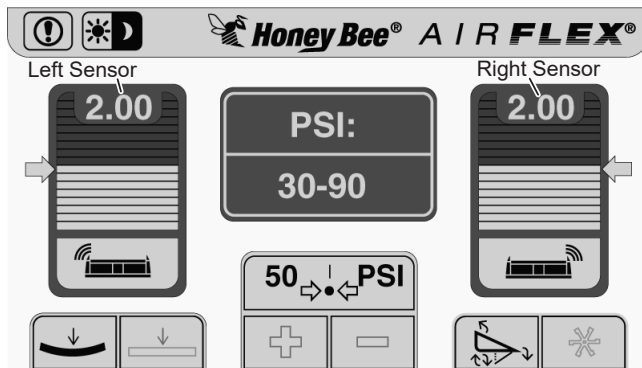


Fig. 308 - Automatix Screen HHC Sensor Identification

22.5 - Speed Sensor Location

Speed sensors on the header operate by magnetically detecting a small bump or pit on a shaft, gear or flywheel while it is rotating. It is extremely important to ensure the speed sensors have optimal spacing from their detected surface, refer to section 19.3 on page 89 for details.

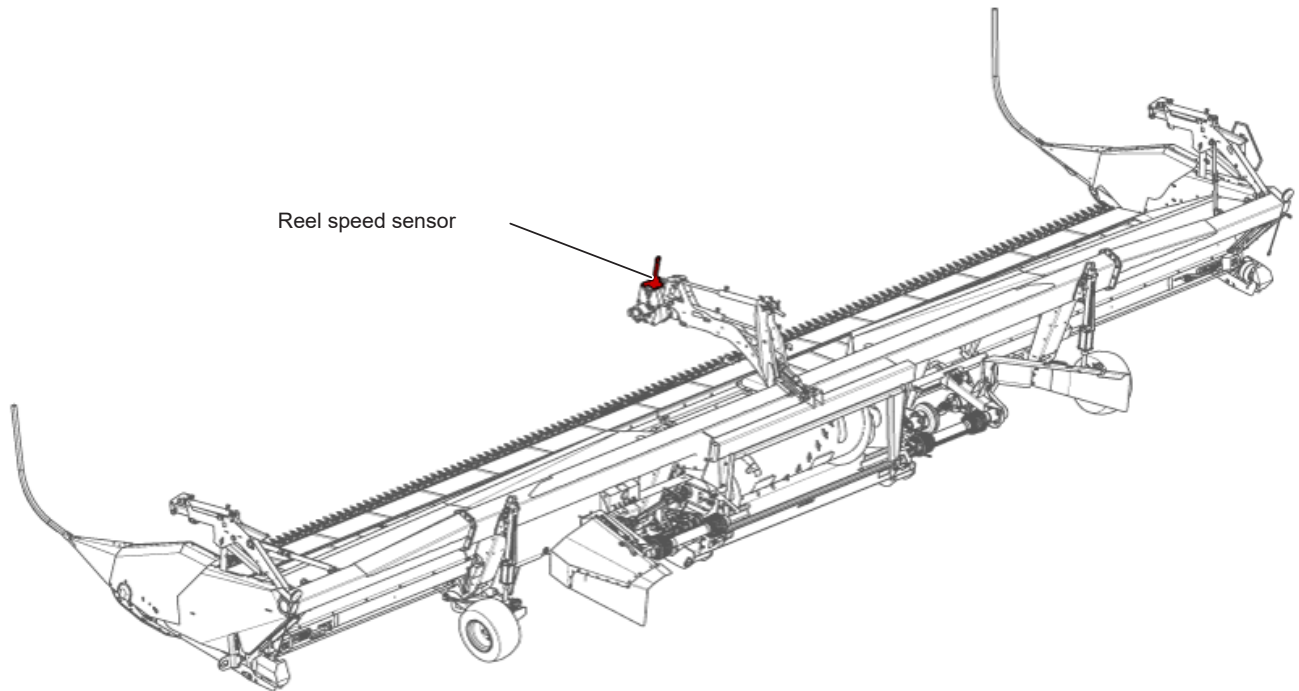


Fig. 309 - Speed Sensor Location

22.6 - Lift Valve Performance BeeBox

If using a combine equipped with 'Bang-Bang' style directional control valves, the BeeBox should be installed to prevent header height 'hunting' regardless of combine settings.

- The BeeBox is installed next to the combine Hydraulic Valve Controller.
- The UP VALVE IN, and the UP VALVE OUT plugs must be connected to the input and output ports on of the UP Valve on the Valve Controller.
- The DOWN VALVE IN, and the DOWN VALVE OUT plugs must be connected to the input and output ports on the DOWN Valve on the Valve Controller.
- The POWER connector must be connected to the automatix electrical harness. For more information, see section 12.6 on page 40.
- The BeeBox should be installed next to the combine Valve Controller.

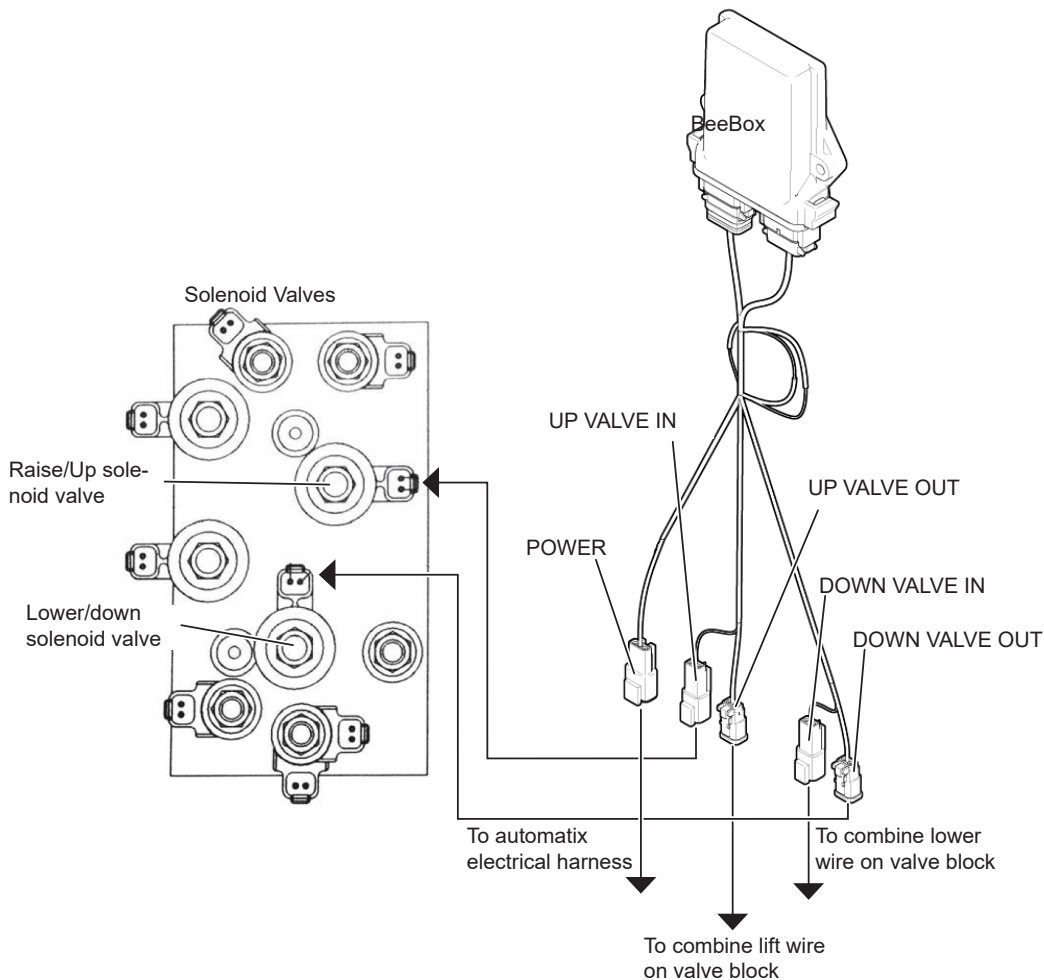


Fig. 310 - BeeBox - For 'Bang-Bang' Style Control Valve Combines

22.7 - 2016 or later JD Combine Check valve Kit

Starting for 2016 models, John Deere combines require a check valve (DANFOSS CP410-1-B-6S-0) to be added to the reel fore/aft hydraulic circuit in order to prevent unexpected movements of the fore/aft system.

If installed, the line lock is located on the left side of the hydraulic manifold on the header.

If operating a 2016 or newer combine and the line lock is not installed, please contact your dealer or Honey Bee customer service for assistance.

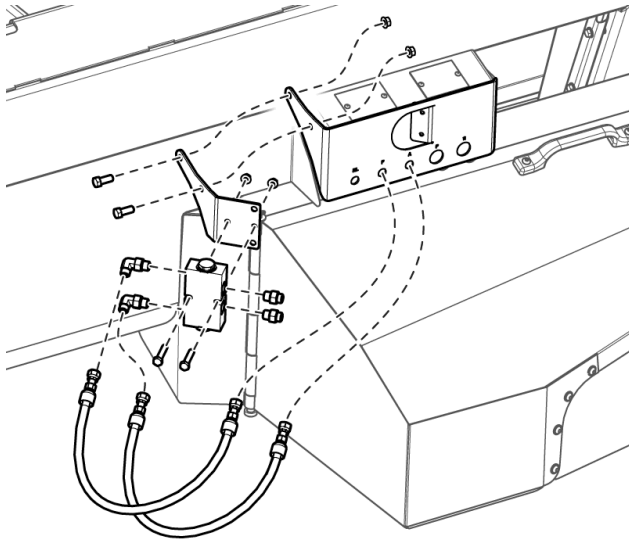


Fig. 311 - JD Check Valve kit



IMPORTANT!

This section only applies to units to be mounted on John Deere 2016 or later Combines.

22.8 - Recommended Torque Values (ft-lb)

Use the values listed below unless otherwise stated in this operator manual.

Torque Values when using UNC nuts.					
Bolt Size	Grade 5		Grade 8		Wrench Size
	Loctite	No Loctite	Loctite	No Loctite	
1/4	6	8	9	12	7/16
5/16	13	17	18	25	1/2
3/8	23	31	35	44	9/16
7/16	35	49	55	70	5/8
1/2	55	75	80	107	3/4
9/16	80	109	110	154	13/16
5/8	110	150	170	212	15/16
3/4	200	266	280	376	1-1/8
7/8	320	429	460	606	1-3/8
1	480	644	680	909	1-1/2
1-1/8	600	794	960	1287	1-11/16
1-1/4	840	1120	1360	1875	1-7/8
1-3/8	1100	1469	1780	2382	2-1/16
1-1/2	1460	1950	2360	3161	2-1/4

Torque Values when using C Lock Nuts					
Bolt Size	Grade 5		Grade 8		Wrench Size
	Loctite	No Loctite	Loctite	No Loctite	
1/4	7.6	11.1	10	14.7	7/16
5/16	14.1	21.1	15.2	22.3	1/2
3/8	23	37	28	39	9/16
7/16	39	59	44	60	11/16
1/2	53	80	63	88	3/4
9/16	77	120	98	134	7/8
5/8	106	158	127	172	15/16
3/4	190	274	218	295	1 1/8
7/8	n/a	n/a	317	440	1 5/16
1	n/a	n/a	506	651	1 1/2

22.9 - Drive Shaft Lengths

The drive shaft lengths are measured from the coupler pivot point to the inner face of the shaft as shown below.

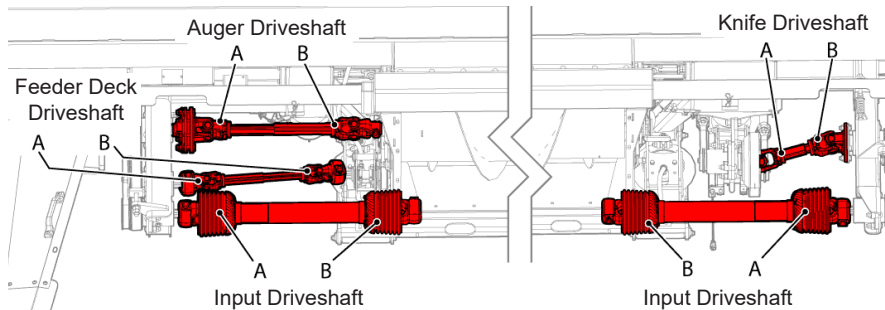


Fig. 312 - Drive Shaft Identification

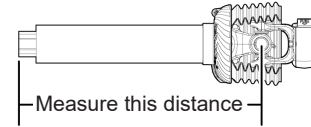
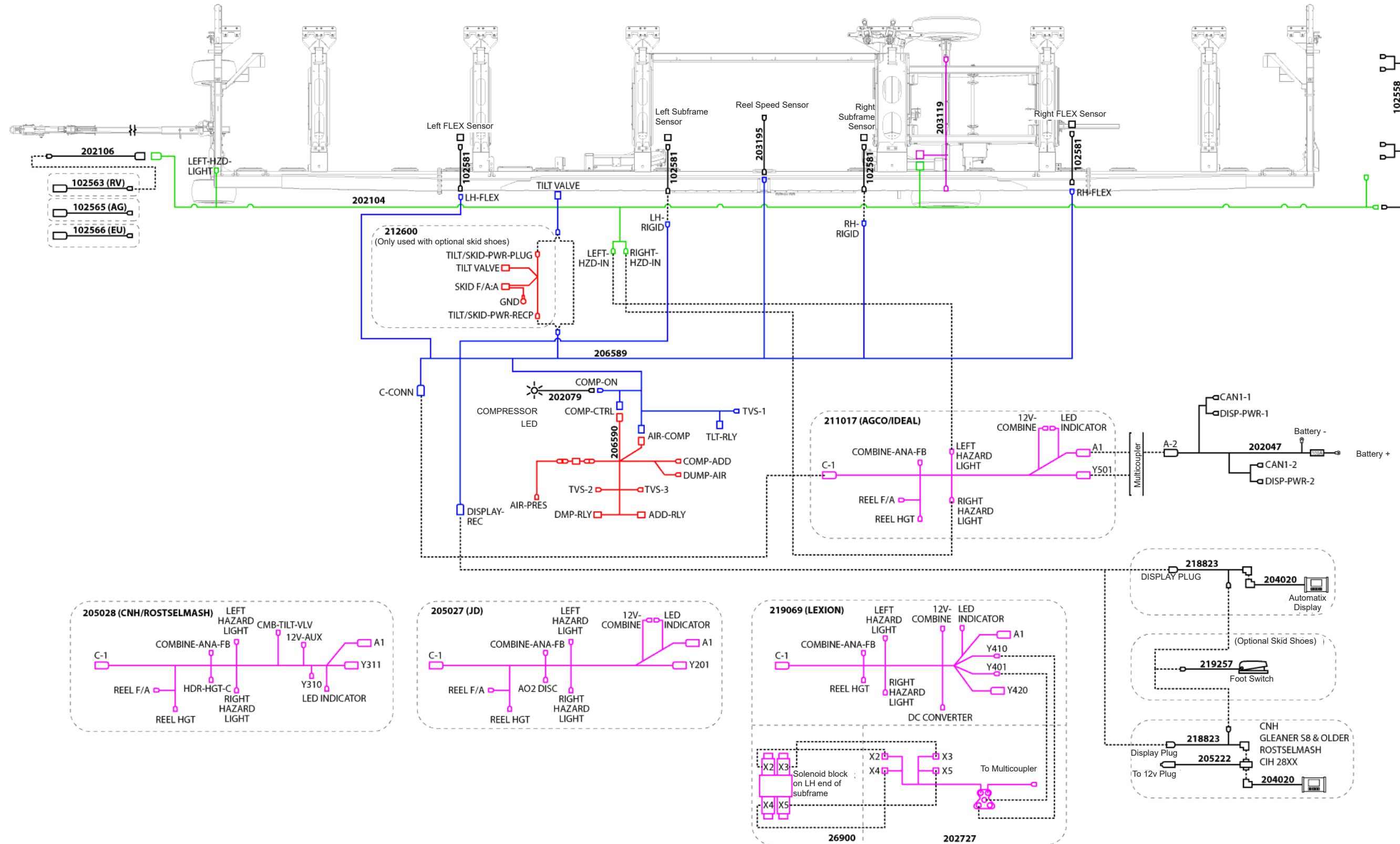


Fig. 313 - Shaft Measurement

	Input Driveshaft		Feeder Deck Driveshaft		Auger Driveshaft		Knife Driveshaft	
	A	B	A	B	A	B	A	B
Massey	427 mm (16.81")	427 mm (16.81") 21 Spline						
Gleaner	547 mm (21.54")	527 mm (20.75") 21 Spline						
Lexion	547 mm (21.54")	527 mm (20.75") 21 Spline						
John Deere	496 mm (19.54")	527 mm (20.75") 21 Spline*						
CNH (2017+)	547 mm (21.54")	527 mm (20.75") 21 Spline						
CNH (2016-)	547 mm (21.54")	547 mm (21.54") 6 spline	233 mm (9.19")	248 mm (9.78")	440 mm (17.32")	388 mm (15.28")	166 mm (6.54")	205 mm (8.07")
CASEIH 2100-2500	474 mm	589 mm (23.19") Hex						
Rostselmash Acros 595+, RSM-161, Torum 750-765	547 mm (21.54")	547 mm (21.54") 8 Spline						
Rostselmash Torum 770-785	547mm (21.54")	687 mm (27.04") 21 Spline						
Fendt Ideal	427 mm (16.81")	547 mm (21.54") 20 Spline						

NOTE: All drive shafts are 6 spline unless otherwise specified

22.10 - Electrical Layout



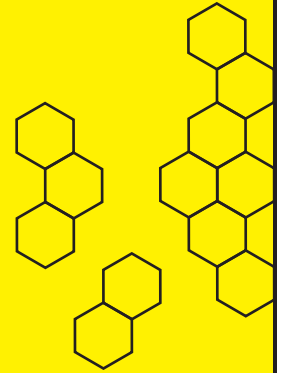


Honey Bee

Harvest Faster

AirFLEX NXT

**Header
Operator Manual**



Honey Bee Manufacturing Ltd.

P.O. Box 120
Frontier SK
S0N 0W0

Tel: (306) 296-2297
Fax: (306) 296-2165

www.honeybee.ca
E-mail: info@honeybee.ca