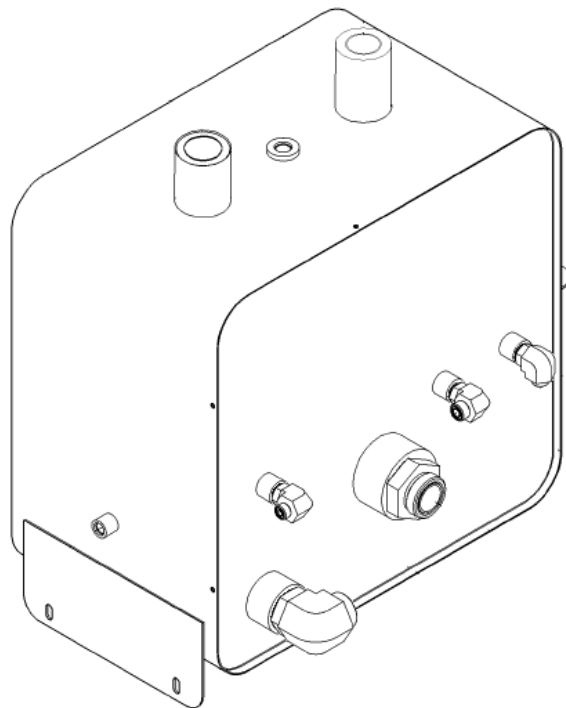


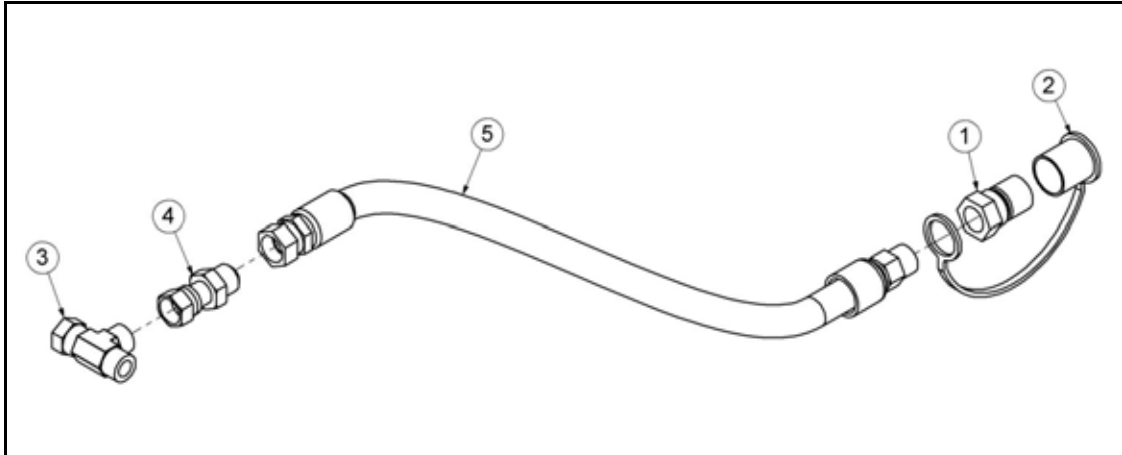


**CASE AFX**  
**Combine Hydraulic Reservoir Integration**  
**Instructions**





## **CASE AFX Grain Belt Plus Combine Reservoir Integration**




| <b>Parts List</b> |            |                           |                 |
|-------------------|------------|---------------------------|-----------------|
| <b>ITEM NO.</b>   | <b>QTY</b> | <b>DESCRIPTION</b>        | <b>PART NO.</b> |
| 1                 | 1          | Q/CPLR 3/4 M PKR-FPT      | 26354           |
| 2                 | 1          | Q/CPLR 3/4 M DUST CAP     | 26593           |
| 3                 | 1          | TEE SW. 10MF-10MF-10FFX   | 27794           |
| 4                 | 1          | ADAPTOR SW. 12MJ - 10FFFX | 27803           |
| 5                 | 1          | HH12 336 12MP -12FJX FRMX | 81096           |


## **Preparation**

Check the contents of the kit to ensure you have received all the correct parts, and everything is in good condition.

In this procedure, All the hydraulic fluid needs to be drained from the combines reservoir. This is a large volume of oil, in order to keep as much of it in the system as possible, fully extend all hydraulic cylinders so that they each act as a small reservoir. Tilt the table forward, open the trap door under the finger auger. Fully raise and extend the reel, secure the locks on the reel lift cylinders to prevent the reel from falling. Lift the table off the ground, lock in place, and extend the combine auger.

Familiarize yourself with the parts and these instructions before starting work on the installation.

 **IMPORTANT** Use teflon tape on the quick coupler fitting to ensure a good seal.

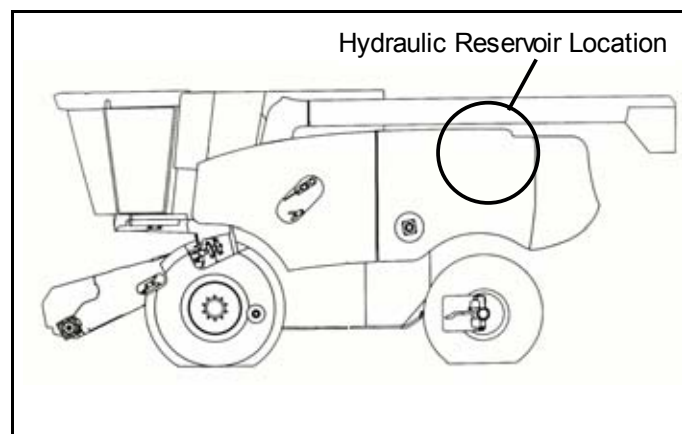
 **DANGER** Be sure to turn off the combine and wait for all moving parts to come to a complete stop before exiting the cab.

## **Directions**

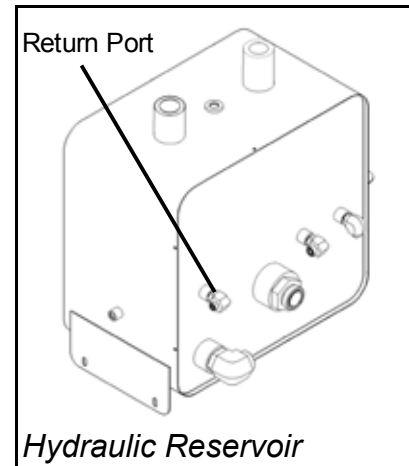
For the purposes of this manual, front refers to the cutter bar portion of the header, rear refers to the combine mount side, and left and right are as seen when standing at the rear facing the front.

## **Installation**

1. Drain the oil from the combine hydraulic reservoir until the level drops below that of the return port. See your combine operator's manual for details on draining the hydraulic reservoir.

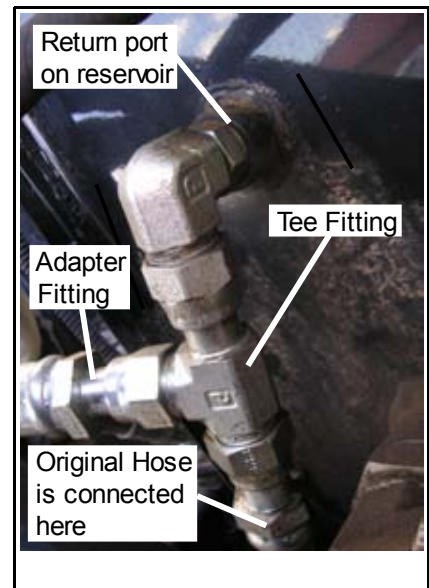


2. Remove the hose from the return port on the combine hydraulic reservoir. You will be provided with the proper fitting for your reservoir type.



3. Install the tee fitting on the 90° elbow on the return port on the hydraulic reservoir.

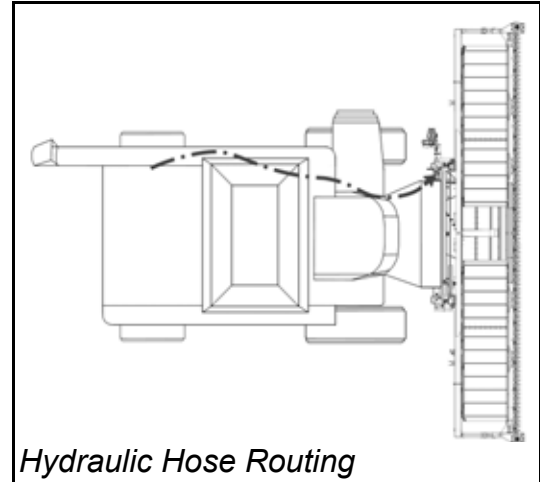
4. Connect the original hose to the end of the tee.



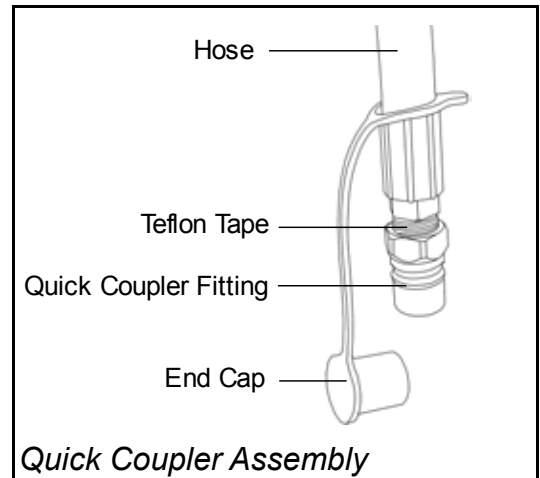
5. Attach the adapter fitting to the offshoot of the tee.

6. Connect the provided hydraulic hose to the end of the adapter fitting.

7. Run the hose along the existing hydraulic lines. Continue to the front of the combine, securing with zip-ties along the way. Do not route the hose along any location where it may become damaged through contact with moving parts.



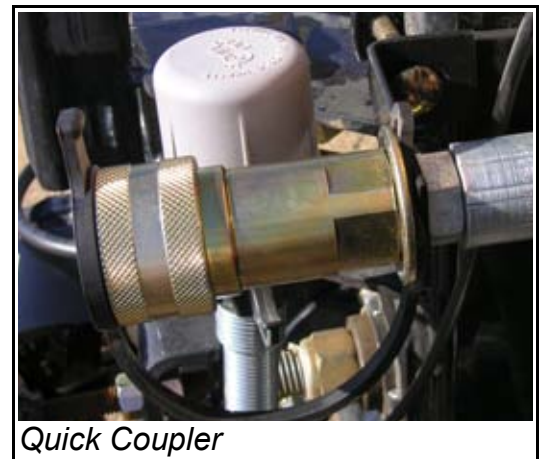
8. Slide the base of the end cap over the hose. Wrap the end of the hose with teflon tape and screw on the quick coupler fitting.



9. The hose plugs into the quick coupler located at the upper left corner of the sub frame.



Ensure that the quick coupler connection is secure. Failure in this connection will result in damage to your equipment.

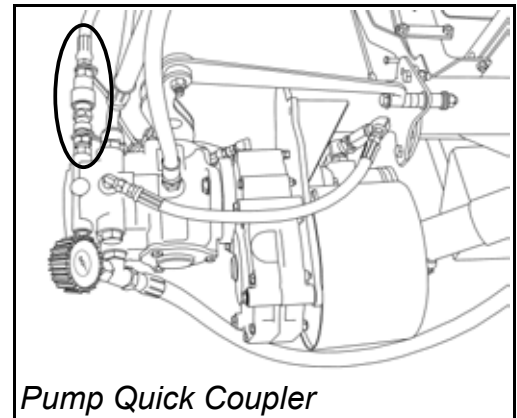


10. Refill the hydraulic reservoir as described in your combine operator's manual.

11. Check all new hydraulic connections for leaks.



Ensure the reel return quick coupler is securely connected to the hydraulic pump. Failure in this connection will also result in damage to your equipment.



12. Test your table to ensure everything is working correctly.