



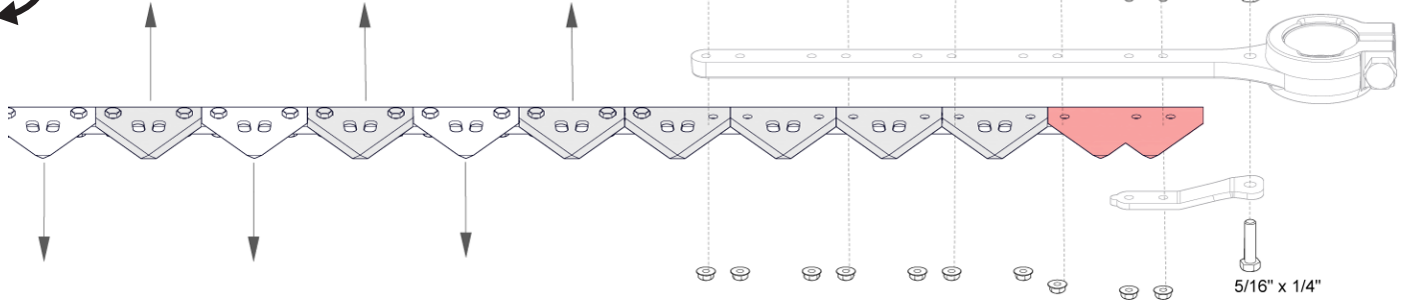
Honey Bee

ST/WS SWATHER

Grain Belt



13 N-m / 115 in-lbs



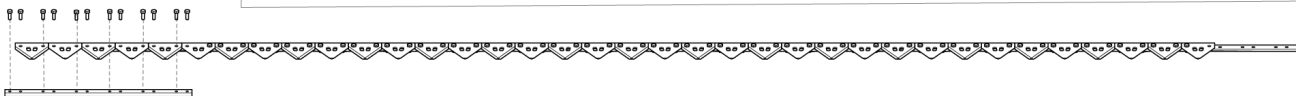
13 N-m / 115 in-lbs



ENSURE FIRST AND LAST KNIFE SECTIONS CONTAIN THE DOUBLE SICKLE



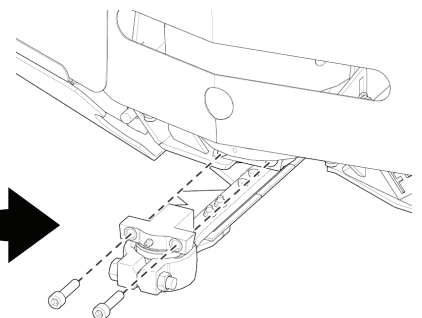
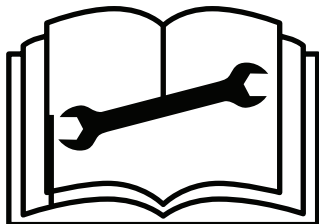
CENTER SECTION QUANTITIES VARY WITH MACHINE LENGTH



CENTER SECTIONS CAN BE INSTALLED IN ANY ORDER



ENSURE FIRST AND LAST KNIFE SECTIONS CONTAIN THE DOUBLE SICKLE





Honey Bee

RDX Grain Belt AirFLEX[®] SDX

