

1. Increasing the Swath Opening

The Honey Bee Swather has a provision for enlarging the center swath opening. For crops high in bulk, it may be necessary to increase the opening in order to produce a good swath.

Important!	<i>This procedure involves cutting a section from the draper material. If you anticipate changing the opening back to the original size, you will need either a section of draper material and an extra connector kit for each draper you shorten, or a second set of drapers to be used with the narrower opening.</i> <i>NOTE: the section you cut out will be too short for this purpose.</i>
Attention:	<i>Swathers with the “Double Swath” option must have this feature disabled while operating with these extensions removed. Disconnect and tie back the Hirshmann connectors for the deck controller to prevent accidental activation of the decks. Failure to do so may result in severe damage.</i>

To enlarge the opening, one, or both decks may be shortened by removing the deck extension, and back panels as follows:

Warning! 	<i>Ensure the swather is safely raised, with safety locks or blocks in place as needed.</i>
--	--

1. If you have the moveable deck option, set the swath opening into the center delivery position, then disconnect the deck-shift Hirschmann connectors, located on the control blocks for both decks. These blocks are located on the struts, near the deck shift motors they control. Tie back the connectors to prevent damage from catching on moving machinery, and cover, to keep the connectors clean.



Figure 1-1 - Hirschmann Plug Locations



Figure 1-2 - Hirschmann Plug - Close-up

2. Turn the draper rollers to locate the connector bar near the idler roller. Open the draper joint at the connector bar and roll the draper back on top far enough to give you room to work around the idler roller. If needed, you can also pull the lower section of the draper back to provide extra room.

...Continued

3. Remove the bolt indicated, and slide the idler roller assembly out of the end of the deck. Ensure you retain the short section of square tube sleeved in place at the front. This will be needed again as a spacing collar over the smaller square tubing.

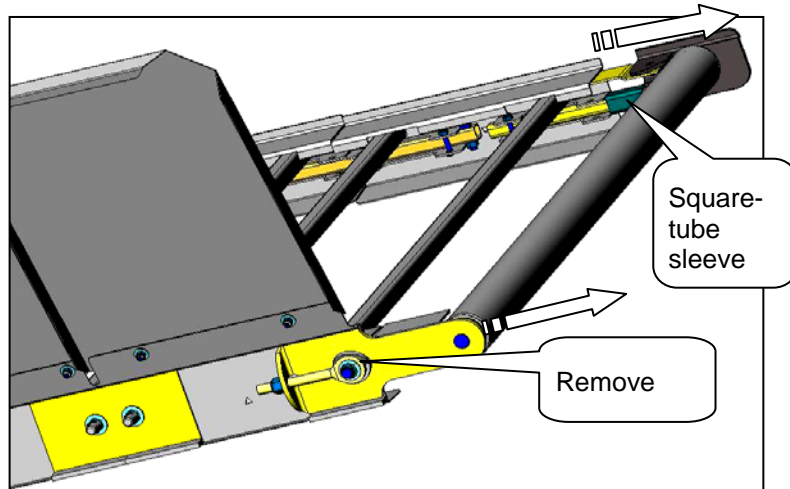


Figure 1-3 - Idler Roller Removal

4. Remove the bolts shown here, and the backing plate. Slide the deck extension and the short section of square tubing out, along with the back panel.

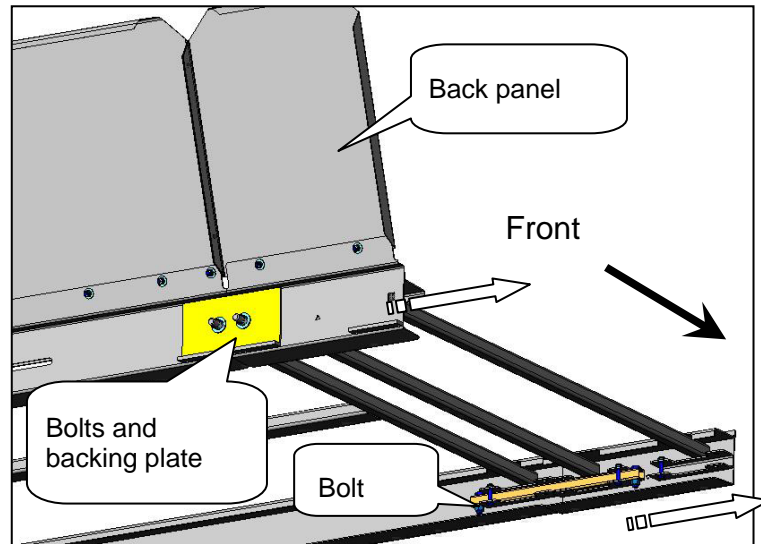


Figure 1-4 Extension Removal

The end of the deck, viewed from the rear and below, should now look like this...

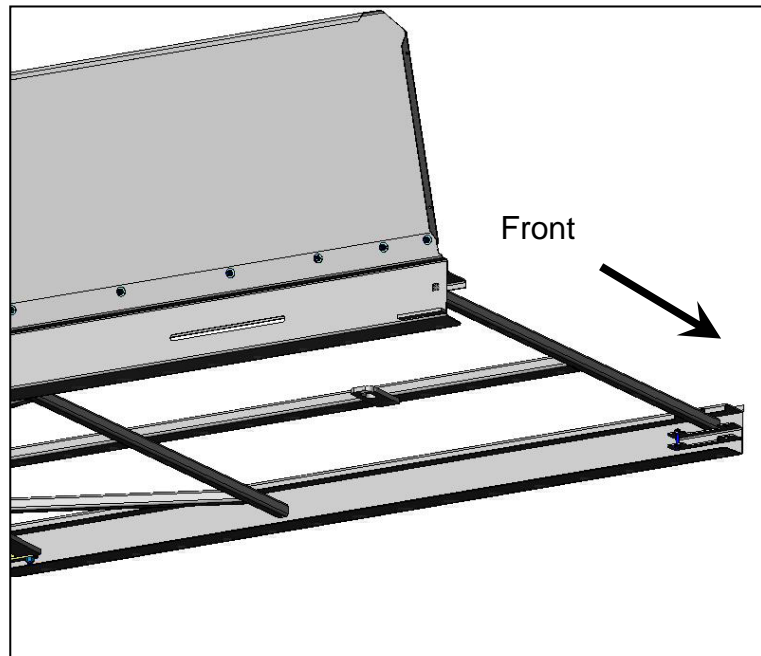


Figure 1-5 Shortened Deck

5. Re-install the idler roller assembly into the end of the deck, and fasten using the bolt removed in (2.)
6. Stretch the draper back into place and carefully measure to determine the amount of material to be removed. Refer to "**Splicing the Draper**" in section 50-page 6 (50-6) of this manual, for cutting procedures and instructions on splicing the draper.
7. Adjust canvas tension and tracking as explained in **Draper Alignment** section 50-page 3 of this manual.

HINT:	Retain the section of draper material you have removed as possible patch material for future repairs.
-------	---

Dimensions – Single swath delivery

Refer to Figure Figure 1-6 - Single Swath Delivery for the following dimensions:

Model ft/m	A (in/cm)	B (in/cm)	C (in/cm)
18HB 18/5.5	80/208	50/130	80/208
21HB 21/6.4	99/257	50/130	99/257
25HB 25/7.6	118/307	56/146	118/307
	104/270*	68/177**	118/307
	104/270*	80/208**	104/270*
30HB 30/9.1	150/390	56/146	150/390
	136/354*	68/177**	150/390
	136/354*	80/208**	136/354*
36HB 36/11	187/486	56/146	187/486
	173/450*	68/177**	187/486
	173/450*	80/208**	173/450*

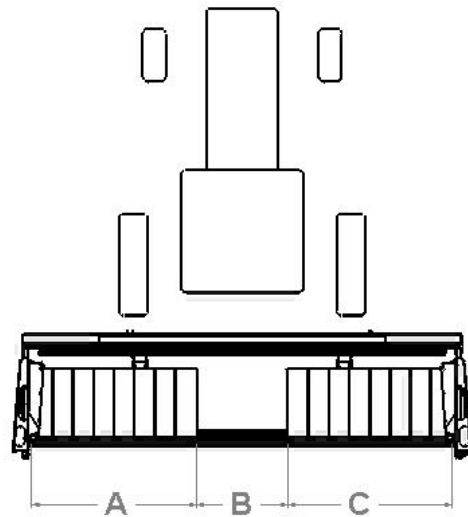


Figure 1-6 - Single Swath Delivery

* indicates removal of one 14" deck

** indicates opening limited by support structure



**Dimensions – Double Swath
Delivery**

Refer to Figure 1-7 - Double Swath
Delivery

Model ft/m	A in/cm	B in/cm	C in/cm	D in/cm
21HB 21/6.4	99/257	50/130	99/257	6/16
25HB 25/7.6	118/307	41/107	118/307	19/49
	118/307	54/140 (J)	118/307	6/16
	104/270*	54/140 (K)	118/307	19/49
	104/270*	67/174 (K)	104/270*	19/49
30HB 30/9.1	150/390	37/96	150/390	19/49
	150/390	50/130 (J)	150/390	6/16
	136/354*	50/130 (K)	150/390	19/49
	136/354*	63/164 (K)	136/354*	19/49

* indicates removal of one 14" deck

** indicates opening limited by
support structure

(J) denotes removal of junior deck

(K) indicates available only with
center delivery

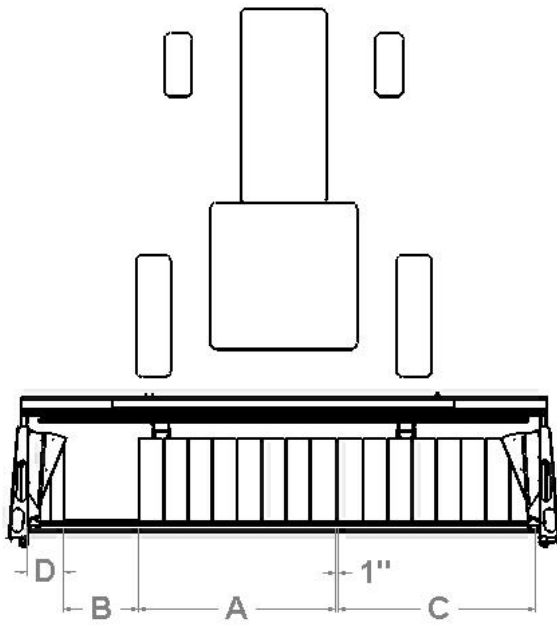


Figure 1-7 - Double Swath Delivery