

Production Header – Hydraulic Tilt Kit - Installation

Preparation

Check the contents of the kit against the shipping documents to ensure you have received all the correct parts, and that everything is in good condition. Familiarize yourself with the parts and these instructions before starting work on the installation. Read through the entire manual to get an idea of how it will go together before you start work.

Directions

For the purposes of this manual, front refers to the cutter bar portion of the header, rear refers to the swath delivery side, left and right are as seen when standing at the rear facing the front.

Installation

Depending upon the model of your header, you will receive one of three types of mounts. Study the following illustrations to identify which you have, and familiarize yourself with the parts and their relationships. The hydraulic tilt cylinder will be installed at the top-center of the header.

1. Lower the header onto stable blocks or to the ground, whichever provides the most comfortable working height.
2. Shut the unit down, and wait for all moving parts to stop before leaving the cab.
3. Release any tension on the manual top link by loosening the lock, and turning the lever until the pin is free of any loading.
4. Remove the pin, and the bolt holding the turnbuckle to the header adapter.
5. Attach the bracket to the upper tube of the header, using the U-bolts, nuts, and washers as shown in Illustration 1: Tilt Cylinder Kit #1- Exploded View, page 2.
6. Insert the bushing, and bolt the cylinder end of the hydraulic cylinder to the rear bracket on the combine adapter, and secure.

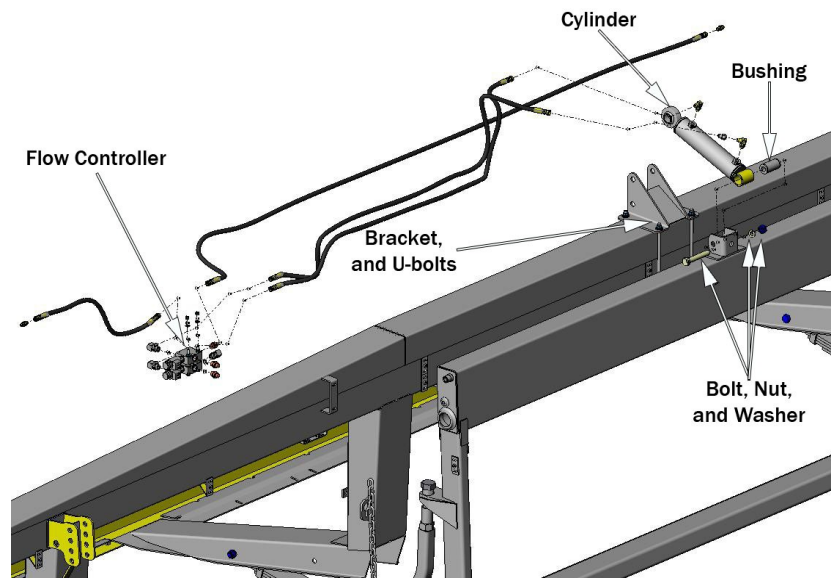


Illustration 1: Tilt Cylinder Kit #1- Exploded View

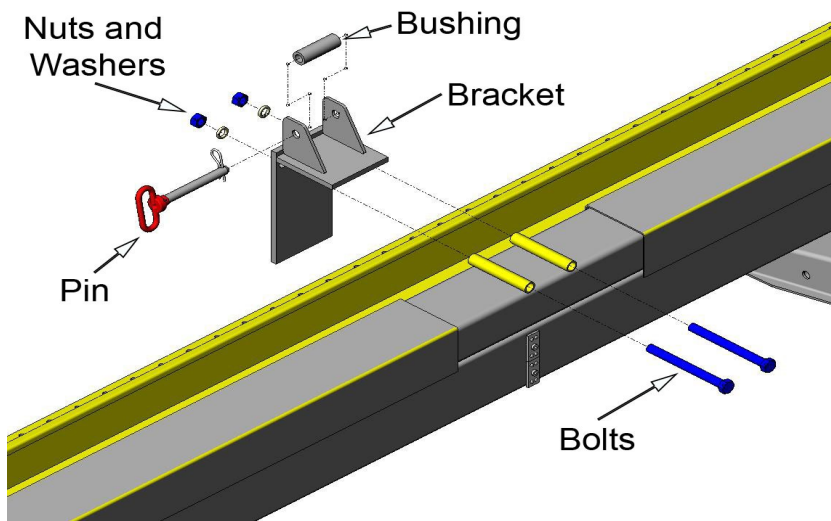


Illustration 2: Tilt Cylinder Mount #2 - Exploded View

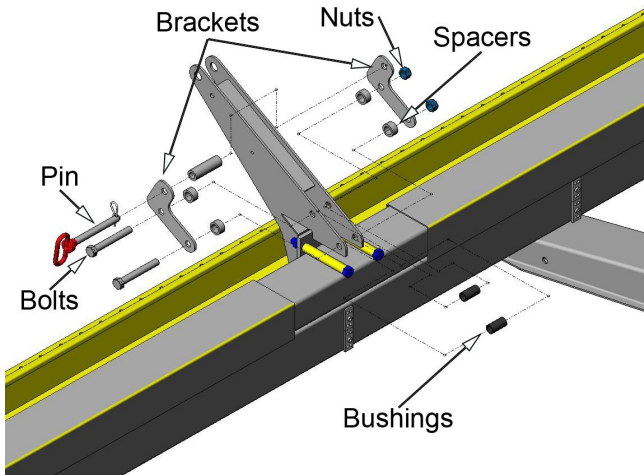


Illustration 3: Tilt Cylinder Mount #3 - Exploded View

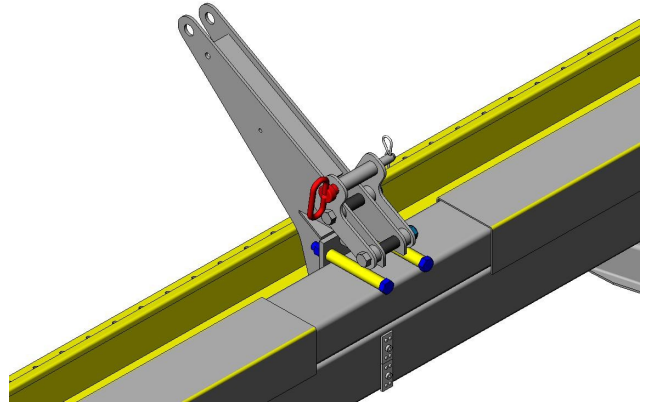


Illustration 4: Tilt Cylinder Mount #3 - Assembled View

7. Manually extend the ram, if necessary, insert a bushing (not shown in Illustration 1) into the Heim-joint and secure it to the forward bracket with a pin (not shown), and spring-lock key (not shown in Illustration 1).
8. Attach the Retract and Extend lines to the tilt cylinder, as shown below.

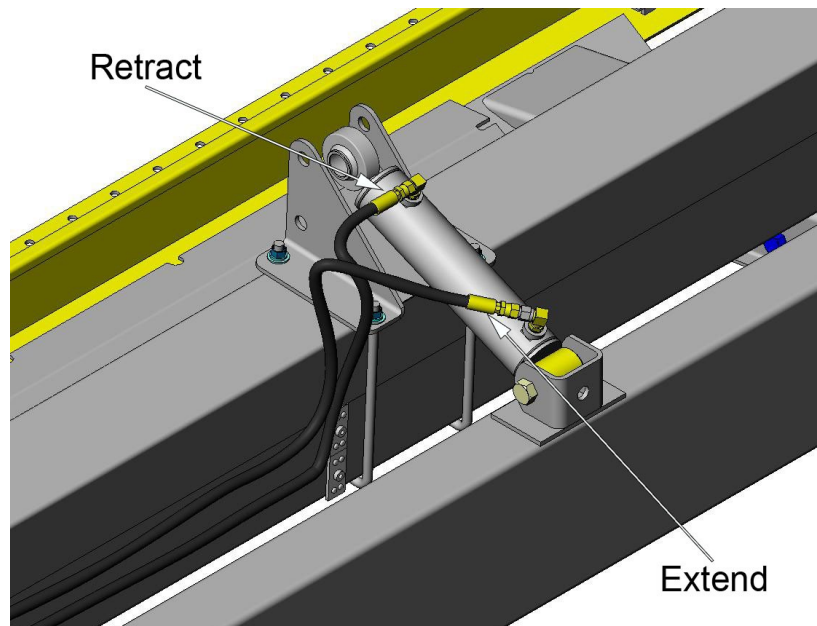


Illustration 5: Hydraulic Connections to Tilt Cylinder

9. Locate the flow control mounting bracket, on the underside of the main tube of the header, toward the left hand side of the opening. Orient the flow control valve with the electrical plugs facing the rear, and attach it with the supplied bolts, nuts and washers.
10. Connect the cylinder “Extend” hose (1) to (1) on the controller and the cylinder “Retract” hose (2) to (2).
11. Connect the reel “Fore” (3) to (3), and the reel “Aft” (4) to (4). Connections (5) and (6) are used by the combine.

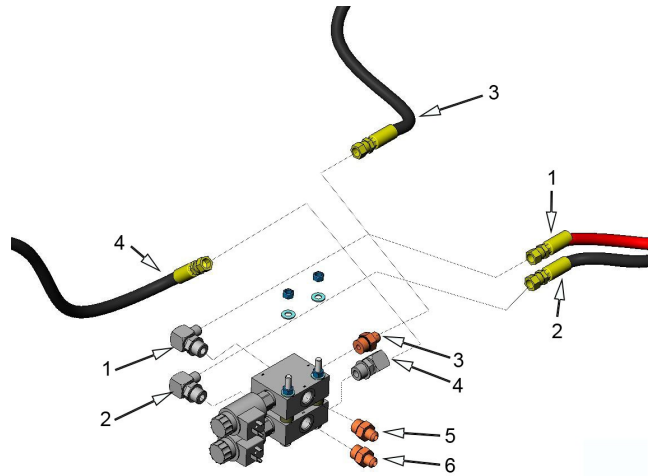


Illustration 6: Hydraulic Connections

12. Connect the wiring plugs to the valve body and run the lead back to the main electrical plug(s) being certain to avoid pinch points and to provide adequate wire length for header movement. Care in routing the wire will prevent early failure of the electric circuits.
13. Consult your combine manual for the wiring diagram from the combine plug, and insert the pins for the tilt control into the plug as indicated.
14. Start the combine, lift the header clear of the ground, and test the operation of the tilt. (Bleeding the hydraulics required?)